

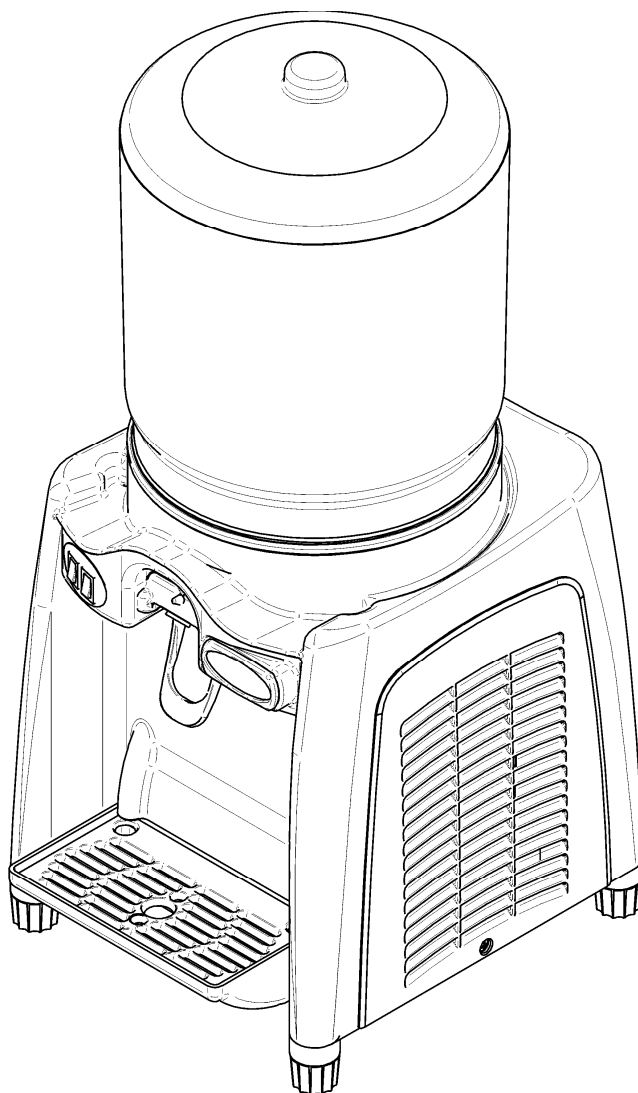
LISTA RICAMBI  
LISTA DE COMPONENTES  
LIST OF COMPONENTS PARTS  
ERSATZTEILLISTE  
LISTE DES PARTIES COMPOSANTS

RAFFREDDABEVANDE  
ENFRIADOR DE BEBIDAS  
DRINK COOLERS  
GETRÄNKEKÜHLER  
REFROIDISSEUR DE BOISSONS

## DRINK MAGIC 12-1 TS-E 230/50 GRIS

Ref.: SL8DM121185

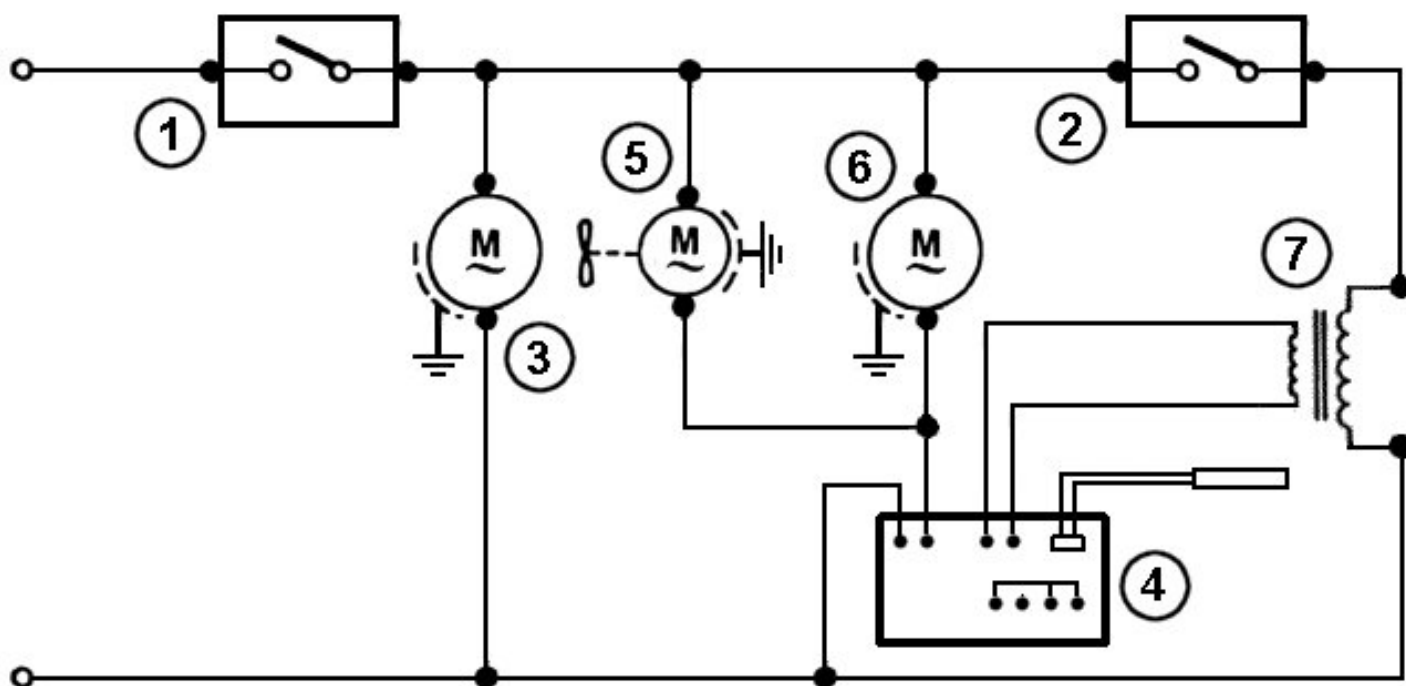
230 V. / 50 Hz.





CABLAGGIO - ESQUEMA ELÉCTRICO - WIRING DIAGRAM - SCHALTPLAN - SCHÉMA ÉLECTRIQUE

N°	Descrizione	Descripción	Description	Beschreibung	Description
1	Interruttore generale e raffreddamento	Interruptor general y frío	General switch and cold	Hauptschalter und Kälte	Interrupteur général et froid
2	Interruttore pale agitatore	Interruptor agitador	Shovel switch	Schalter, Rührer	Interrupteur agitateur
3	Motore pale agitatore	Motor agitador	Shovel motor	Antrieb, Rührer	Moteur pale agitateur
4	Termostato elettronico	Termóstato electrónico	Electronic thermostat	Elektronischer Thermostat	Thermostat électronique
5	Motoventilatore	Motoventilador	Motoventilator	Ventilatorantrieb	Moteur ventilateur
6	Compressore	Compresor	Compressor	Kompressor	Compresseur
7	Trasformatore	Transformador	Transformer	Transformator	Transformateur



# LISTA RICAMBI

N°	Riferimento	Descrizione
1	SL310004219	TELAIO ASS. GRIGGIO+ EVAP. E-112 TS-E NH
2	SL310003836	STAFFA TELAIO NH
3	SL310003838	SUPPORTO GOCCIOLATOIO NH
4	SL300000828	VITE ACCIAIO INOX NFE-27128 M4 X 10
5	SL310003839	FISSAGGIO PANNELLO CONTROLLO NH
6	SL300310016	VITE ACCIAIO INOX D-84 M3X12
7	SL310004215	PAN. CONTROLLO NH 2 INTERRUITORI GRIGGIO
8	SL310003963	ADESIVO PAN. CONTROLLO NH 2 INTERRUITORI
9	SL300950567	INTERRUPTORE GENERALE 15 AMP.
10	SL310002718	TERMOSTATO ELETTRONICO + TEMP 09
11	SL310004216	ASS. PANNELLO CONTROLLO E-120 TS-E NH GRIGGIO
12	SL310004213	LEVA DISPENSER NH GRIGGIO
13	SL310004212	COPERCHIO OTTURATORE NH GRIGGIO
14	SL310003959	MOLLA DISPENSER NH
15	SL310004214	DISPENSER COMPLETO NR GRIGGIO
16	SL300970112	VASCA GOCCIOLATOIO GB-10 GRIGGIO
17	SL300970113	GRIGLIA GOCCIOLATOIO GB 10 GRIGGIO
18	SL310004530	ASSEMBLAGGIO GOCCIOLATOIO - GRIGGIO
19	SL310004209	PANNELLO LATERALE NH GRIGGIO
20	SL330000285	COMPRESSORE EMT36HLP 220-240/50
21	SL300950441	VITE ZINCATA DIN 933 M6X30
22	SL300000254	RONDELLA ZINCATA DIN 9021 M6
23	SL31JEMG060	DADO ZINCATO DIN 934 M6
24	SL300001896	VALVOLA CARICA HB.1 T L 50
25	SL30NW0F006	TUBO RAME 1/4 (KG.) (ASK MTS)
26	SL300197024	TUBO ARMAFLEX AC-6X06 (MTS)
27	SL300951357	PIEDINI LIVELLAMENTO GHZ-14 V/99
28	SL300310112	VITE OTTONE DIN 933 M4X15
29	SL300310251	RONDELLA OTTONE DIN 125 M4
30	SL300310206	DADO OTTONE DIN 934 M4

N°	Riferimento	Descrizione
31	SL38WBPA107	PRESSACAVO PER CAVO ALIMENTAZIONE
32	SL37TAH0401	MOTOVENTILATORE 120X120X38 220/50-60
33	SL300009227	VITE ZINCATA DIN 933 M4X45
34	SL300191008	TUBO RAME 3/16 MTS (E.15M)
35	SL300310110	VITE OTTONE DIN 86 M4X10
36	SL30PZ12NT8	TUBO SCARICO SILICONE BIANCO 8X12 X MTS.
37	SL300950217	CONDENSATORE E-112
38	SL300950438	FILTRO 20 GR.
39	SL310004088	TUBO RAME 1/4 FILTRO-COND. E-112 NH
40	SL310004080	CONDENSATORE + FILTRO E-112 NH
41	SL310004108	CAPILLARE RAME D-0.80MM L 2.50M
42	SL310002739	TRASFORMATORE 230/12 3VA (TA 60°)
43	SL300352121	MOTORIDUTTORE 30 R.P.M. 220/50
44	SL3CHML029A	GIUNTO PIANO Ø5XØ29X1
45	SL300352122	MONTAGGIO TRASMISSIONE E-120
46	SL300310630	SPINA ZINCATA E-125 1'5X25
47	SL310003951	GRUPPO MOTORE E-112/120 TS-E NH 220
48	SL300200015	TERMINALE PE-123 D4
49	SL310001883	DISTANZIATORE INOX SP1525 M3X25
50	SL310002736	SONDA TEMP. TERMOSTATO ELETTR. V/09
51	SL300310208	DADO INOX DIN934 M3
52	SL310003075	DISPENSER IN GOMMA NH
53	SL310003965	ALBERO AGITATORE RAFFREDD. E-112/120 01
54	SL300350903	PALE AGITATORE E-112/120 01
55	SL300350385	GUARNIZIONE VASCA
56	SL300350382	VASCA E-112
57	SL310004210	COPERCHIO VASCA E-112 GRIGGIO
58	SL300350856	PIEDINO GOMMA ANTISCIVOLO M8X20
59	SL310003530	RELÈ COMPRESSORE EMT36HLP 220-240/50
60	SL310003531	CLIXON COMPRESSORE EMT36HLP 220-240/50

## LISTA DE PIEZAS

Nº	Referencia	Denominación
1	SL310004219	CONJ.CHASIS INT.GRIS+EVAP. E-112 TS-E NH
2	SL310003836	BANDEJA CHASIS NH
3	SL310003838	SOPORTE BANDEJA GOTEJO NH
4	SL300000828	TORNILLO INOX NFE-27128 M4 x 10
5	SL310003839	ANCLAJE PANEL MANDOS NH
6	SL300310016	TORNILLO INOX D-84 M3x12
7	SL310004215	PANEL MANDOS NH 2 INTERR. GRIS
8	SL310003963	ADHESIVO P. MANDOS NH 2 INTERR.
9	SL300950567	INTERRUPTOR GENERAL E/DR. 15A.
10	SL310002718	TERMOSTATO ELECTRON. + TEMP. 09
11	SL310004216	CONJ.MONT.P.MAND.E-120 TS-E NH GRIS
12	SL310004213	LEVA GRIFO NH GRIS
13	SL310004212	OBTURADOR GRIFO NH GRIS
14	SL310003959	MUELLE GRIFO NH
15	SL310004214	GRIFO COMPLETO NH GRIS
16	SL300970112	BANDEJA GOTEJO GB-10 GRIS
17	SL300970113	REJILLA GOTEJO GB-10 GRIS
18	SL310004530	BANDEJA GOTEJO + REJILLA GB GRIS
19	SL310004209	PANEL LATERAL NH GRIS
20	SL330000285	COMPRESOR EMT36HLP 220-240/50
21	SL300950441	TORNILLO ZINC D-933 M6x30
22	SL300000254	ARANDELA ZINC DIN 9021 M6
23	SL31JEMG060	TUERCA ZINC D-934 M6
24	SL300001896	VALVULA OBUS CARGA HB.1T L 50
25	SL30NW0F006	TUBO DE COBRE 1/4 (KG.) (PEDIR MTS.)
26	SL300197024	TUBO ARMAFLEX AC-6x06 (MTS)
27	SL300951357	PIE NIVELADOR GHZ-14 V/99
28	SL300310112	TORNILLO LATON D-933 M4x15
29	SL300310251	ARANDELA LATON DIN 125 M4
30	SL300310206	TUERCA LATON DIN 934 M4

Nº	Referencia	Denominación
31	SL38WBPA107	PASACABLE PA107 ELETTRGIBI
32	SL37TAH0401	MOTOVENTILADOR 120x120x38 220v
33	SL300009227	TORNILLO ZINC D-933 M4x45
34	SL300191008	TUBO DE COBRE 3/16 Mts.(R.15M)
35	SL300310110	TORNILLO LATON D-86 M4x10
36	SL30PZ12NT8	TUBO SILICONA ALIMENT. BLANCA ø8x12 (M)
37	SL300950217	CONDENSADOR E-112/DR115
38	SL300950438	FILTRO DESHIDRATADOR 20 GR.
39	SL310004088	TUBO COBRE 1/4 FILTRO-COND. E-112 NH
40	SL310004080	CONDENS.+FILTRO E-112 NH
41	SL310004108	TUBO CAPILAR COBRE D-0.80MM L 2.50M
42	SL310002739	TRANSFORMADOR 230/12 3VA (TA 60°) ENEC
43	SL300352121	MOTORREDUCTOR ENFRIADOR 220/50-60 30 RPM
44	SL3CHML029A	ARANDELA PLANA EPDM NEGRO ø5xø29 x1
45	SL300352122	ENCAJE TRANSMISION ENF. ANTG.
46	SL300310630	PASADOR ALETA E-125 1,5x25
47	SL310003951	GRUPO MOTOR COMPL. E-112/120 TS-E NH 220
48	SL300200015	TERMINAL TOMA TIERRA PE-123 ø4
49	SL310001883	DISTANCIADOR INOX SP1525 M3X25
50	SL310002736	SONDA TEMPER. TERMOST. ELECTR. V/09
51	SL300310208	TUERCA INOX DIN 934 M3
52	SL310003075	GOMA GRIFO NH
53	SL310003965	ASTA AGITADOR ENFRI. E-112/120/125 NH
54	SL300350903	AGITADOR ENFR. E-112/120 01
55	SL300350385	JUNTA DEPOSITO ENFRIADOR E-112
56	SL300350382	DEPOSITO ENFRIADOR E-112
57	SL310004210	TAPA DEP. E-112 GRIS
58	SL300350856	PIE ANTIDESLIZANTE M-8x20
59	SL310003530	RELE COMPRESOR EMT36HLP 220-240/50
60	SL310003531	CLIXON COMPRESOR EMT36HLP 220-240/50

## LIST OF COMPONENTS PARTS

N°	Reference	Description
1	SL310004219	CHASSIS ASS.GREY+EVAP. E-112 TS-E NH
2	SL310003836	CHASSIS TRAY NH
3	SL310003838	DRIP TRAY SUPPORT NH
4	SL300000828	STAINLESS STEEL SCREW NFE-27128 M4 X 10
5	SL310003839	FIXING CONTROL PANEL NH
6	SL300310016	STAINLESS STEEL SCREW D-84 M3X12
7	SL310004215	CONTROL PANEL NH 2 SWITCHB GREY
8	SL310003963	CONTROL PANEL ADHESIVE NH 2 SWITCH
9	SL300950567	GENERAL SWITCH 15 AMP.
10	SL310002718	ELECTRONIC THERMOSTAT + TEMP 09
11	SL310004216	CONTROL PANEL ASSEMBLY E-120 TS-E NH GREY
12	SL310004213	LEVER DISPENSER NH GREY
13	SL310004212	TAP OBTURATOR NH GREY
14	SL310003959	DISPENSER SPRING NH
15	SL310004214	FULL DISPENSER NR GREY
16	SL300970112	DRIP TRAY GB-10 GREY
17	SL300970113	DRIP SCREEN GB 10 GREY
18	SL310004530	DRIP TRAY ASSY - GREY
19	SL310004209	LATERAL PANEL NH GREY
20	SL330000285	COMPRESSOR EMT36HLP 220-240/50
21	SL300950441	ZINC SCREW DIN 933 M6X30
22	SL300000254	ZINC WASHER DIN 9021 M6
23	SL31JEMG060	ZINC NUT DIN 934 M6
24	SL300001896	CHARGE VALVE HB.1 T L 50
25	SL30NW0F006	COPPER TUBE 1/4 (KG.) (ASK MTS)
26	SL300197024	ARMAFLEX TUBE AC-6X06 (MTS)
27	SL300951357	RUBBER FOOT GHZ-14 V/99
28	SL300310112	BRASS SCREW DIN 933 M4X15
29	SL300310251	BRASS WASHER DIN 125 M4
30	SL300310206	BRASS NUT DIN 934 M4

N°	Reference	Description
31	SL38WBPA107	POWER CABLE FAIRLEAD
32	SL37TAH0401	MOTOVENTILATOR 120X120X38 220/50-60
33	SL300009227	ZINC SCREW DIN 933 M4X45
34	SL300191008	COPPER TUBE 3/16 MTS (E.15M)
35	SL300310110	BRASS SCREW DIN 86 M4X10
36	SL30PZ12NT8	DRAINPIPE WHITE SILICONE 8X12 X MTS.
37	SL300950217	CONDENSER E-112
38	SL300950438	FILTER DRIER 20 GR.
39	SL310004088	COPPER TUBE 1/4 FILTER-COND. E-112 NH
40	SL310004080	CONDENSER + FILTER E-112 NH
41	SL310004108	COPPER CAPILLARY TUBE D-0.80MM L 2.50M
42	SL310002739	TRANSFORMER 230/12 3VA (TA 60°)
43	SL300352121	MOTOR REDUCING 30 R.P.M. 220/50
44	SL3CHML029A	PLAIN JOINT Ø5XØ29X1
45	SL300352122	TRANSMISSION FITTING E-120
46	SL300310630	PIN SOCKET MOTOR 1'5X25
47	SL310003951	FULL MOTOR GROUP E-112/120 TS-E NH 220
48	SL300200015	TERMINAL PE-123 D4
49	SL310001883	STAINLESS STEEL SPACER SP1525 M3X25
50	SL310002736	SOUNDS OUT TEMP. ELECTRONIC THERM. V/09
51	SL300310208	STAINLESS STEEL NUT DIN934 M3
52	SL310003075	GUM DISPENSER NH
53	SL310003965	COOLER MIXER SHAFT E-112/120 01
54	SL300350903	SHOVEL E-112/120 01
55	SL300350385	TANK JOINT
56	SL300350382	TANK E-112
57	SL310004210	TANK COVER E-112 GREY
58	SL300350856	ANTISKID RUBBER FOOT M8X20
59	SL310003530	COMPRESSOR RELAY EMT36HLP 220-240/50
60	SL310003531	COMPRESSOR CLIXON EMT36HLP 220-240/50

# ERSATZTEILLISTE

N°	Referenz	Beschreibung
1	SL310004219	KOMPL. INNENG. GRAY+VERDAM. E-112 TS-E NH
2	SL310003836	SCHALE GEHÄUSE NH
3	SL310003838	HALTERUNG TROPFSCHALE NH
4	SL300000828	EDELSTAHLSCHRAUBE NFE-27128 M4 x 10
5	SL310003839	ARRETIERUNG BEDIENPANEL NH
6	SL300310016	EDELSTAHLSCHRAUBE DIN 84 M3x12
7	SL310004215	BEDIENPANEL NH 2 SCHALTER - GRAY
8	SL310003963	AUFKLEBER BEDIENPANEL NH 2 SCHALTER
9	SL300950567	HAUPTSCHALTER E/DR. 15A
10	SL310002718	ELEKTRONISCHER THERMOSTAT + TIMER 09
11	SL310004216	KOMPLETTSATZ BEDIENPANEL E-120 TS-E NH GRAY
12	SL310004213	AUSSCHANKHEBEL NH GRAY
13	SL310004212	VERSCHLUSS FÜR ZAPFHAHN NH GRAY
14	SL310003959	FEDER ZAPFHAHN NH
15	SL310004214	ZAPFHAHN, KOMPLETT NH GRAY
16	SL300970112	TROPFSCHALE GB-10 GRAY
17	SL300970113	TROPFGITTER GB-10 GRAY
18	SL310004530	TROPFSCHALE + TROPFGITTER GB GRAY
19	SL310004209	SEITENWAND NH GRAY
20	SL330000285	KOMPRESSOR EMT36HLP 220-240/50
21	SL300950441	VERZINKTE SCHRAUBE DIN 933 M6X30
22	SL300000254	UNTERLEGSCHLEIBE VERZINKT DIN 9021 M6
23	SL31JEMG060	MUTTER VERZINKT DIN 934 M6
24	SL300001896	FÜLLVENTIL OBUS HB.1T L 50
25	SL30NW0F006	KUPFERROHR 1/4 (kg) (METER AUF ANFRAGE)
26	SL300197024	ROHR ARMAFLEX AC-6x06 (METER)
27	SL300951357	HÖHENVERSTELLBARER FUß GHZ-14 V/99
28	SL300310112	MESSINGSCHRAUBE DIN 933 M4x15
29	SL300310251	UNTERLEGSCHLEIBE, MESSING DIN 125 M4
30	SL300310206	MESSINGMUTTER DIN 934 M4

N°	Referenz	Beschreibung
31	SL38WBPA107	KABELDURCHFÜHRUNG PA107 ELETTRIGIBI
32	SL37TAH0401	MOTORVENTILATOR 120X120X38 220/50
33	SL300009227	VERZINKTE SCHRAUBE DIN 933 M4X45
34	SL300191008	KUPFERROHR 3/16 (METER)(R.15M)
35	SL300310110	MESSINGSCHRAUBE DIN 86 M4x10
36	SL30PZ12NT8	SILIKONROHR, LEBENSMIT., WEISS Ø8x12 (METER)
37	SL300950217	KONDENSATOR E-112/DR115
38	SL300950438	ENTFEUCHTUNGSFILTER 20 GRAMM
39	SL310004088	KUPFERROHR 1/4 KONDENSATORFILTER E-112 NH
40	SL310004080	KONDENSATOR+FILTER E-112 NH
41	SL310004108	KAPILLARROHR KUPFER D-0.80MM L 2.50M
42	SL310002739	TRANSFORMATOR 230/12 3VA (T 60°) ENEC
43	SL300352121	UNTERSETZUNGSG. KÜHLSYSTEM 220/50-60, 30 U/MIN
44	SL3CHML029A	UNTERLEGS., FLACH, EPDM SCHWARZ ø5xø29 x1
45	SL300352122	ANTRIEBSADAPTER VORGÄNGERMODELL
46	SL300310630	SICHERUNGSTIFT RÜHRFLÜGEL E-125 1,5x25
47	SL310003951	MOTORAGGREGAT, KOMPLETT E-112/120 TS-E NH 220
48	SL300200015	STECKVERBINDUNG ERDANSCHLUSS PE-123 ø4
49	SL310001883	ABSTANDSHALTER EDELSTAHL SP1525 M3X25
50	SL310002736	TEMPERATURFÜHLER ELEKTRON. THERMOSTAT V/09
51	SL300310208	EDELSTAHLMUTTER DIN 934 M3
52	SL310003075	GUMMI FÜR HAHN NH
53	SL310003965	RÜHRFLÜGEL. KÜHLBEHÄLTER E-112/120/125 NH
54	SL300350903	RÜHRBETRIEB KÜHLBEHÄLTER E-112/120 01
55	SL300350385	BEHÄLTERDICHTUNG AUSSEN E-112
56	SL300350382	KÜHLBEHÄLTER E-112
57	SL310004210	BEHÄLTERDECKEL E-112 GRAY
58	SL300350856	HÖHENVERSTELLBARER FUß M8X20
59	SL310003530	KOMPRESSORRELAIS EMT36HLP 220-240/50
60	SL310003531	BIMETALL-THERM., KOMPR. EMT36HLP 220-240/50

## LISTE DES PARTIES COMPOSANTS

N°	Référence	Description
1	SL310004219	ENS. CHASSIS INT. GRIS + EVAP. E-112 TS-E NH
2	SL310003836	PLATEAU CHASSIS NH
3	SL310003838	SUPPORT PLATEAU D'ÉGOUTTEMENT NH
4	SL300000828	VIS INOX NFE-27128 M4 x 10
5	SL310003839	ANCORAGE PANNEAU COMMANDES NH
6	SL300310016	VIS INOX D-84 M3x12
7	SL310004215	PANNEAU COMMANDE NH 2 INTERR. GRIS
8	SL310003963	ADHÉSIF P. COMMANDES NH 2 INTERR.
9	SL300950567	INTÉRRUPTEUR GÉNÉRAL E/DR. 15A.
10	SL310002718	THERMOSTAT ÉLECT. + TEMP. 09
11	SL310004216	ENS. MONT. P. COMM. E-120 TS-E NH GRIS
12	SL310004213	LEVIER ROBINET NH GRIS
13	SL310004212	OBTURATEUR ROBINET NH GRIS
14	SL310003959	RESSORT ROBINET NH
15	SL310004214	ROBINET COMPLET NH GRIS
16	SL300970112	PLATEAU D'ÉGOUTTEMENT GB-10 GRIS
17	SL300970113	GRILLE D'ÉGOUTTEMENT GB-10 GRIS
18	SL310004530	PLATEAU D'ÉGOUTTEMENT GB COMPLET GRIS
19	SL310004209	PANNEAU LATÉRAL NH GRIS
20	SL330000285	COMPRESSEUR EMT36HLP 220-240/50
21	SL300950441	VIS ZINC DIN 933 M6X30
22	SL300000254	RONDELLE ZINC DIN 9021 M6
23	SL31JEMG060	ÉCROU ZINC DIN 934 M6
24	SL300001896	VALVE OBUS CHARGE HB.1T L 50
25	SL30NW0F006	TUBE CUIVRE 1/4 (KG) (EN MTS.)
26	SL300197024	TUBE ARMAFLEX AC-6x06 (MTS)
27	SL300951357	PIED À NIVELER GHZ-14 V/99
28	SL300310112	VIS LAITON DIN 933 M4X15
29	SL300310251	RONDELLE LAITON DIN 125 M4
30	SL300310206	ÉCROU LAITON DIN 934 M4

N°	Référence	Description
31	SL38WBPA107	PASSE-CABLE PA107 ELETTRIGIBI
32	SL37TAH0401	MOTOVENTILATEUR 120X120 220/50
33	SL300009227	VIS ZINC DIN 933 M4X45
34	SL300191008	TUBE CUIVRE DIN 86 M4X10
35	SL300310110	VIS LAITON DIN 86 M4X10
36	SL30PZ12NT8	TUBE SILICONE ALIM. BLANCHE Ø8X12 (M)
37	SL300950217	CONDENSATEUR E-112/DR115
38	SL300950438	FILTRE DÉSHYDRATEUR 20 GR.
39	SL310004088	TUBE CUIVRE 1/4 FILTRE-COND. E-112 NH
40	SL310004080	CONDENSATEUR + FILTRE E-112 NH
41	SL310004108	TUBE CAPILLAIRE CUIVRE D-0.80MM L 2.50M
42	SL310002739	TRANSFORMATEUR 230/12 3VA (TA 60°) ENEC
43	SL300352121	MOTORÉDUCTEUR 30 R.P.M. 220/50-60
44	SL3CHML029A	JOINT PLANE Ø5XØ29X1
45	SL300352122	LIAISON TRANSMISSION MOTEUR E-120
46	SL300310630	GOUPILLE LIAISON MOTEUR E-125 1'5X25
47	SL310003951	GROUPE MOTEUR COMPLET E-112/120 TS-E NH 220
48	SL300200015	BORNE PRISE DE TERRE PE-123 Ø4
49	SL310001883	SÉPARATEUR INOX SP1525 M3x25
50	SL310002736	SONDE TEMPÉR. THERMOST. ÉLECT. V/09
51	SL300310208	ÉCROU INOX DIN 934 M3
52	SL310003075	TUBE CAOUTCHOUC ROBINET NH
53	SL310003965	AXE AGITATEUR REFR. E-112/120/125 NH
54	SL300350903	PALES E-112/120 01
55	SL300350385	JOINT RÉSERVOIR E-112
56	SL300350382	RÉSERVOIR E-112
57	SL310004210	COUVERCLE RÉSERVOIR E-112 GRIS
58	SL300350856	PIED ANTI-GLISSEMENT M8X20
59	SL310003530	RELAIS COMPRESSEUR EMT36HLP 220-240/50
60	SL310003531	CLIXON COMPRESSEUR EMT36HLP 220-240/50



