

**LISTA DE PIEZAS DE RECAMBIO
LIST OF COMPONENTS PARTS
LISTA RICAMBI**

**GRANIZADORA DE BANCO
GRANITA MACHINE
GRANITORE DA BANCO**

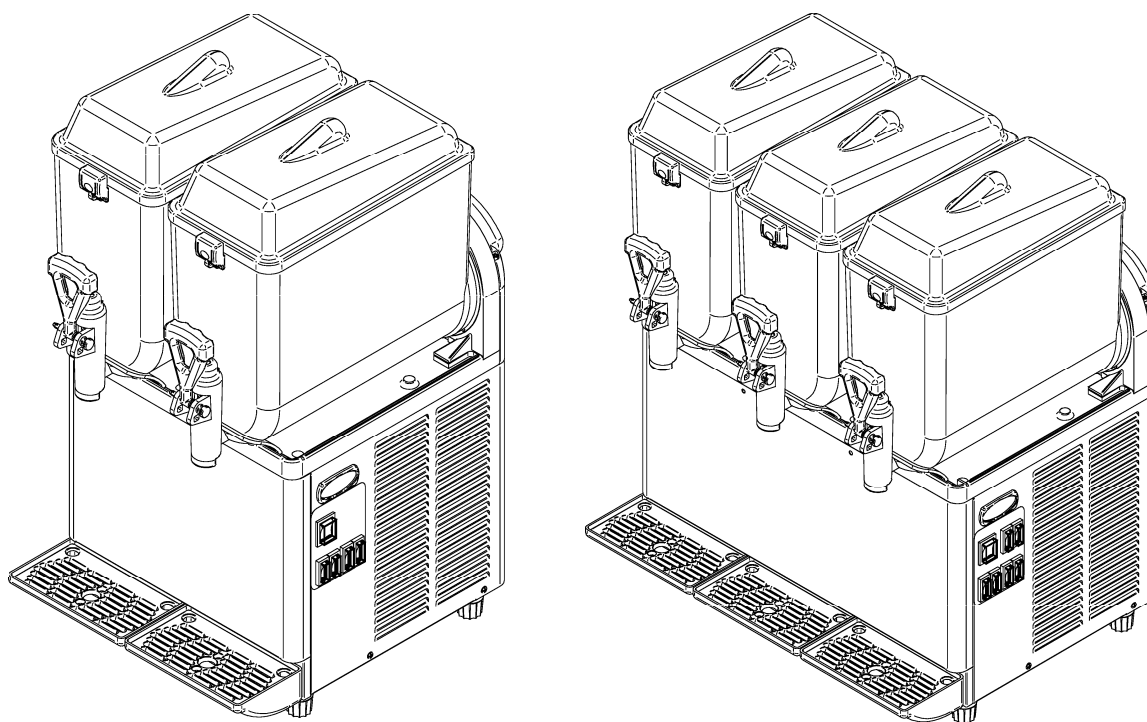
GRANICREAM 10-2 TS-E 230/50 CE BLACK

Ref.: SL8GC102183

GRANICREAM 10-3 TS-E 230/50 CE BLACK

Ref.: SL8GC103183

230 V. / 50 Hz.



Nº	Referencia	Denominación
1	SL340001664	Evaporador completo 5/16 1,24X2 (2,3,RP-3) ST2
2	SL320001269	Panel lateral izquierdo SATP GT 2/3-S
3	SL300970272	Bandeja superior GB-220 - negra
4	SL300000828	Tornillo inox NFE 27128 M4x10
5	SL320001044	Panel frontal SATP GT 2-S
6	SL310007282	Sonda temperatura
7	SL310001813	Condensador + Filtro GHZ-2/3 BAF-01
8	SL310007308	Visualizador electrónico
9	SL310005969	Tapón sonda interna evap. (PLAST.)
10	SL310001655	Muelle sujeción sonda VIP
11	SL300000233	Aspas ventilador Ø 250 x 28º
12	SL320001258	Motoventilador 16W 220/50-60
13	SL300951921	Tornillo zincado DIN 7981 B-3'9x13
14	SL30PZ12NT8	Tubo desagüe silicona 8x12 x mts.
15		
16	SL330000119	Protector interruptor 11x30
17	SL300003131	Interruptor general verde
18	SL330000096	Protector interruptor 22x30
19	SL330000209	Interruptor negro UL SIGNAL LUX
20	SL300970263	Rejilla goteo GB - negra
21	SL300970262	Bandeja goteo GB - negra
22	SL300951940	Obturador enchufe tapa sop. - negro
23	SL330000008	Tornillo zincado DIN 7500-C B-3,5x25 BZ
24	SL300002718	Tornillo inox DIN 7985 M6x10
25	SL31SN0T00Z	Tornillo niq. DIN 7981 B-3'5x9'5
26	SL300002246	Arandela dentada zinc DIN 6798A M4
27	SL300970274	Tornillo GB-10 - negro
28	SL31CA06040	Tornillo Inox. D-933 M6x40
29	SL31JEMG060	Tuerca zincada DIN 934 M6
30	SL300000254	Arandela zincada DIN 9021 M6
31	SL3300000216	Tornillo zincado DIN 933 M6x16
32	SL300950802	Tapón derecho embell. GHZ - blanco
33	SL300950801	Tapón izquierdo embell. GHZ - blanco
34	SL37ZH02134	Compresor NE2134GK 220/50
35	SL320001170	Chasis completo GT2-S GHZ-228
36	SL300951357	Pie nivelador GHZ-14 V/99
37	SL310002221	Tornillo zincado DIN 7380 M8x20
38	SL300001400	Tornillo zincado DIN 933 M5x8
39	SL300951743	Condensador compresor NE2134GK 220/50
40	SL300951627	Tapón bandeja superior - negro
41	SL310002739	Transformador 3VA 220-115/50-60 12V

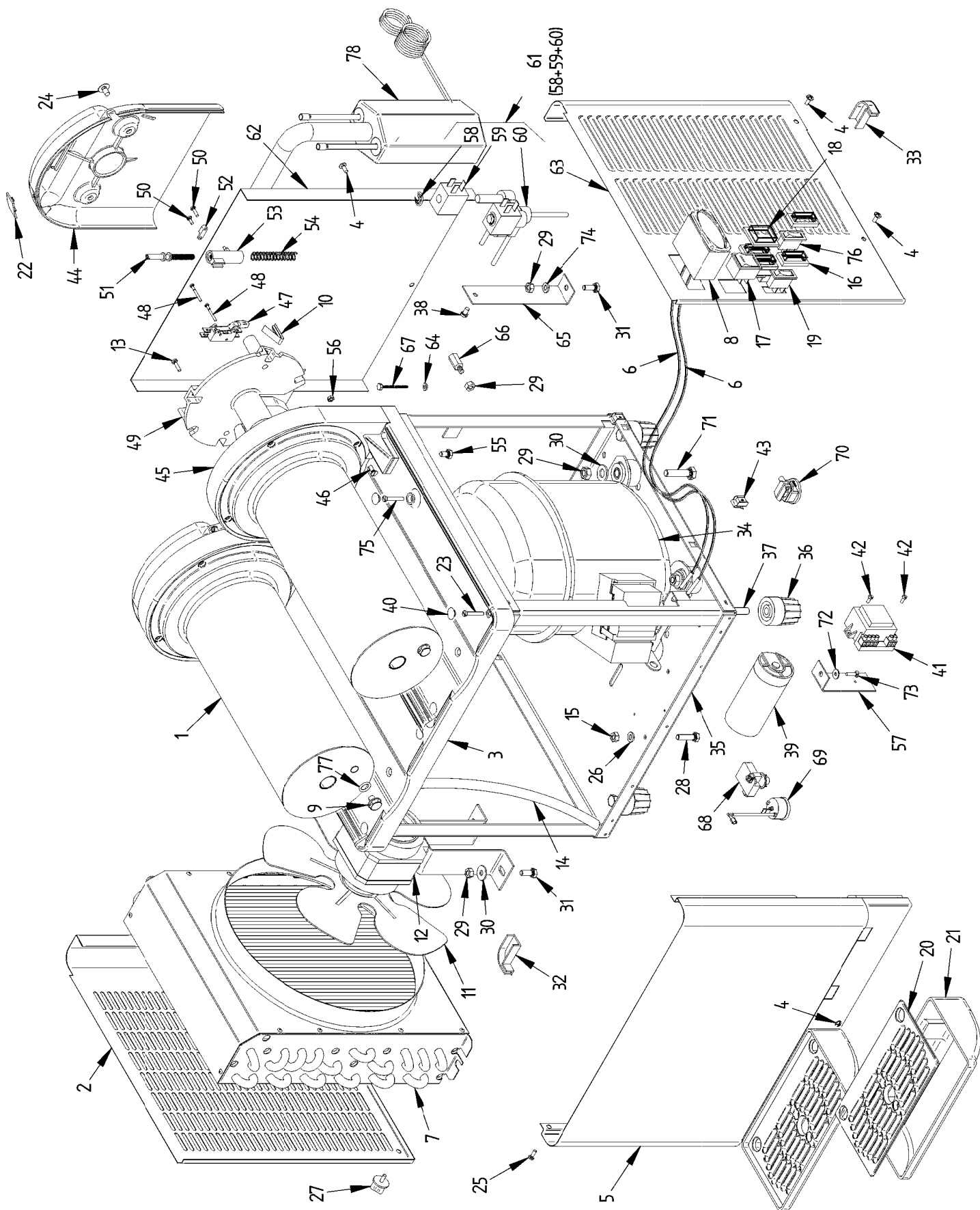
Nº	Referencia	Denominación
42	SL330000118	Tornillo niquelado DIN 7500-C B-3,5x9,5 BZ
43	SL300950568	Tuerca enjaulada tipo CWP M4
44	SL300951463	Tapa soporte evaporador GHZ - negra
45	SL310000320	Soporte evaporador GHZ PZ-1 - negro
46	SL31BBM4012	Tornillo inox DIN 965 M4x12
47	SL300950587	Minirruptor completo V/99
48	SL300950810	Tornillo zincado DIN 7505-B 2,5x25
49	SL310000321	Soporte evaporador GHZ PZ-2 - negro
50	SL300000965	Tornillo niq. DIN 7981-C B-2'9x13
51	SL3GS12035A	Vástago regulación GHZ EURO
52	SL3GS12036A	Sujeción sistema regulación
53	SL3GS12037B	Guía muelle sistema regulación
54	SL3GS12038A	Muelle regulación duro SP
55	SL310007516	Tornillo Inox D-7380 M6X12
56	SL300002330	Tuerca inox DIN 934 M4
57	SL300350023	Soporte transformador 3W
58	SL310000444	Grapa electroválvula B4
59	SL38EAE48GL	Bobina electroválvula gas CEME 230V 50Hz
59	SL310005788	Bobina electroválvula gas OLAB 230V 50Hz
60	SL300970159	Cuerpo electroválvula doble CEME
60	SL310006374	Cuerpo electroválvula doble OLAB
61	SL3GS24711B	Electroválvula doble completa CEME 230V 50Hz
61	SL310005790	Electroválvula doble completa OLAB 230V 50Hz
62	SL320001268	Panel trasero GT2-S 430
63	SL310008044	Panel lateral derecho GSE-20 TS-E 09 430 + Adhesivo
64	SL300002246	Arandela dentada zinc DIN 6798A M4
65	SL320001266	Soporte electroválvula negro GT2S GT3S
66	SL300950428	Distanciador panel trasero G-2/3/4
67	SL300009227	Tornillo Zinc D-933 M4X45
68	SL300951466	Relé compreso NE2134GK 220/50
69	SL300951465	Clixon compresor NE2134GK 220/50
70	SL38WBPA107	Pasacable PA-107 ELETTRGIBI
71	SL300950441	Tornillo zincado DIN 933 M6x30
72	SL300000861	Arandela zincada DIN 9021 M4
73	SL31FF0S00Z	Tornillo zincado DIN 7981-C B-2,9x9,5
74	SL300002429	Arandela dentada zinc DIN 6798-A M6
75	SL330000008	Tornillo zincado DIN 7500-C B-3,5x25 BZ
76	SL330000210	Conmutador negro UL 11x30 SIGN.LUX
77	IC541000418	Junta tórica 1,78x11,11 SL 60 114 roja
78	SL300950299	Expansionador GHZ-228 completo

N°	Reference	Description
1	SL340001664	Full evaporation device 5/16 1,24X2 (2,3,RP-3) ST2
2	SL320001269	Left panel SATP GT 2/3-S
3	SL300970272	Upper tray GB-220 - black
4	SL300000828	Stainless steel screw NFE 27128 M4x10
5	SL320001044	Front panel SATP GT 2-S
6	SL310007282	Temperatura probe
7	SL310001813	Condensador + Filtro GHZ-2/3 BAF-01
8	SL310007308	Electronic temperature visual display
9	SL310005969	Evaporator internal probe plug (PLAST.)
10	SL310001655	Probe subjection spring VIP
11	SL300000233	Ventilator winding Ø250x28°
12	SL320001258	Motoventilator 16W 220/50-60
13	SL300951921	Zinc screw DIN 7981 B-3'9x13
14	SL30PZ12NT8	Drainpipe white silicone 8x12 x mts.
15		
16	SL330000119	Cover protection for switch 11x30
17	SL300003131	Light main switch - 22x30 - Green
18	SL330000096	Cover protection for switch 22x30
19	SL330000209	Black switch UL SIGNAL LUX
20	SL300970263	Screen for leaking GB - black
21	SL300970262	Tray for leaking GB - black
22	SL300951940	Switch obturator - black
23	SL330000008	Zinc screw DIN 7500-C B-3,5x25 BZ
24	SL300002718	Stainless steel screw DIN 7985 M6x10
25	SL31SN0T00Z	Plated screw DIN 7981 B-3'5x9'5
26	SL300002246	Zinc jagged washed DIN 6798A M4
27	SL300970274	Tap screw GB-10 - black
28	SL31CA06040	Stainless steel screw D-933 M6x40
29	SL31JEMG060	Zinc nut DIN 934 M6
30	SL300000254	Zinc washer DIN 9021 M6
31	SL330000216	Zinc screw DIN 933 M6x16
32	SL300950802	Right side trim cover GHZ - white
33	SL300950801	Left side trim cover GHZ - white
34	SL37ZH02134	Compressor NE2134GK 220/50
35	SL320001170	Chassis
36	SL300951357	Rubber foot GHZ-14 V/99
37	SL310002221	Zinc screw DIN 7380 M8x20
38	SL300001400	Stainless steel screw DIN 933 M5x8
39	SL300951743	Compressor capacitor NE2134GK 220/50
40	SL300951627	Upper tray top - black
41	SL310002739	Transformer 3VA 220-115/50-60 12V

N°	Reference	Description
42	SL3300000118	Plated screw DIN 7500-C B-3,5x9,5 BZ
43	SL300950568	Special nut type CWP M4
44	SL300951463	Evap. device supp. cover GHZ - black
45	SL310000320	Evap. device support GHZ PZ-1 - black
46	SL31BBM4012	Stainless steel screw DIN 965 M4x12
47	SL300950587	Full miniruptor V/99
48	SL300950810	Zinc screw DIN 7505-B 2,5x25
49	SL310000321	Evap. device support GHZ PZ-2 - black
50	SL300000965	Plated screw DIN 7981-C B-2'9x13
51	SL3GS12035A	Hardness control pin
52	SL3GS12036A	Hardness control pin catch
53	SL3GS12037B	Hardness control pin bushing
54	SL3GS12038A	Torque compression spring
55	SL310007516	Zinc screw D-7380 M6X12
56	SL300002330	Stainless steel nut DIN 934 M4
57	SL300350023	Transformer support
58	SL310000444	Electrovalve clamp B4
59	SL38EAE48GL	Gas electrovalve bobbin CEME 230V 50Hz
59	SL310005788	Gas electrovalve bobbin OLAB 230V 50Hz
60	SL300970159	Double electrovalve body CEME
60	SL310006374	Double electrovalve body OLAB
61	SL3GS24711B	Full double electrovalve CEME 230V 50Hz
61	SL310005790	Full double electrovalve OLAB 230V 50Hz
62	SL320001268	Back panel GT2-S 430
63	SL310008044	Right side panel GSE-20 TS-E 09 430 + Adhesive
64	SL300002246	Zinc jagged washed DIN 6798A M4
65	SL320001266	Double electrovalve support deck - black
66	SL300950428	Device distancing back panel
67	SL300009227	Zinc screw D-933 M4X45
68	SL300951466	Compressor relay NE2134GK 220/50
69	SL300951465	Compressor clixon NE2134GK 220/50
70	SL38WBPA107	Power cable fairlead
71	SL300950441	Zinc screw DIN 933 M6x30
72	SL300000861	Zinc washer DIN 9021 M4
73	SL31FF0S00Z	Zinc screw DIN 7981-C B-2,9x9,5
74	SL300002429	Washer jagged zinc DIN 6798-A M6
75	SL330000008	Zinc screw DIN 7500-C B-3,5x25 BZ
76	SL330000210	Change-over switch UL 11x30 SIGN.LUX
77	IC541000418	O-ring 1,78x11,11 SL 60 114 red
78	SL300950299	Full receiver GHZ-228

N°	Codice	Descrizione
1	SL340001664	Evaporatore completo 5/16 1,24X2 (2,3,RP-3) ST2
2	SL320001269	Pannello sinistro SATP GT 2/3-S
3	SL300970272	Piano d'appoggio superiore GB-220 - nero
4	SL300000828	Vite inox NFE 27128 M4x10
5	SL320001044	Pannello anteriore SATP GT 2-S
6	SL310007282	Sonda temperatura
7	SL310001813	Condensador + Filtro GHZ-2/3 BAF-01
8	SL310007308	Visualizzatore di temperatura
9	SL310005969	Tappo sonda interna evap. (PLAST.)
10	SL310001655	Molla fermo sonda VIP
11	SL300000233	Alette ventilatore Ø250x28°
12	SL320001258	Motovelocitatore 16W 220/50-60
13	SL300951921	Vite zincata DIN 7981 B-3'9x13
14	SL30PZ12NT8	Tube scarico silicone 8x12 x mts.
15		
16	SL330000119	Cappuccio protezione Interruttore 11x30
17	SL300003131	Interruttore generale luminoso 22x30 verde 230V
18	SL330000096	Cappuccio protezione Interruttore 22x30
19	SL330000209	Interruttore nero UL SIGNAL LUX
20	SL300970263	Griglia vaschetta GB - nera
21	SL300970262	Vaschetta scarico GB - nera
22	SL300951940	Otturatore presa elettrica - nero
23	SL330000008	Vite zincata DIN 7500-C B-3,5x25 BZ
24	SL300002718	Vite inox DIN 7985 M6x10
25	SL31SN0T00Z	Vite nich. DIN 7981 B-3'5x9'5
26	SL300002246	Rondella dentata zincata DIN 6798A M4
27	SL300970274	Vite GB-10 - nero
28	SL31CA06040	Vite inox. D-933 M6x40
29	SL31JEMG060	Dado zincato DIN 934 M6
30	SL300000254	Rondella zincata DIN 9021 M6
31	SL330000216	Vite zincata DIN 933 M6x16
32	SL300950802	Tappo destro pannello frontale GHZ - bianco
33	SL300950801	Tappo sinistro pannello frontale GHZ - bianco
34	SL37ZH02134	Compressore NE2134GK 220/50
35	SL320001170	Telaio completo GT2-S GHZ-228
36	SL300951357	Piedini livellamento GHZ-14 V/99
37	SL310002221	Vite zincata DIN 7380 M8x20
38	SL300001400	Vite inox DIN 933 M5x8
39	SL300951743	Condensatore compressore NE2134GK 220/50
40	SL300951627	Tappo vassoio superiore - nero
41	SL310002739	Trasformatore 3VA 220-115/50-60 12V

N°	Codice	Descrizione
42	SL330000118	Vite nich. DIN 7500-C B-3,5x9,5 BZ
43	SL300950568	Dado speciale CWP M4
44	SL300951463	Coperchio supporto evaporatore GHZ - nero
45	SL310000320	Supporto evaporatore. pz. 1 Nero
46	SL31BBM4012	Vite inox DIN 965 M4x12
47	SL300950587	Microinterruttore GHZ V/99
48	SL300950810	Vite zincato DIN 7505-B 2,5x25
49	SL310000321	Supporto evaporatore. pz. 2 Nero
50	SL300000965	Vite niq. DIN 7981-C B-2'9x13
51	SL3GS12035A	Perno regolazione durezza
52	SL3GS12036A	Fermo perno regolazione durezza
53	SL3GS12037B	Boccola perno regolazione durezza
54	SL3GS12038A	Molla regolazione durezza Ø1,2
55	SL310007516	Vite zincato D-7380 M6X12
56	SL300002330	Dado inox DIN 934 M4
57	SL300350023	Supporto trasformatore 3W
58	SL310000444	Morsetto elettrovalvola B4
59	SL38EAE48GL	Bobina elettrovalvola gas CEME 230V 50Hz
59	SL310005788	Bobina elettrovalvola gas OLAB 230V 50Hz
60	SL300970159	Corpo elettrovalvola doppia CEME
60	SL310006374	Corpo elettrovalvola doppia OLAB
61	SL3GS24711B	Elettrovalvola doppia completa CEME 230V 50Hz
61	SL310005790	Elettrovalvola doppia completa OLAB 230V 50Hz
62	SL320001268	Pannello posteriore GT2-S 430
63	SL310008044	Pannello destro GSE-20 TS-E 09 430 + Adesivo
64	SL300002246	Rondella dentata zincata DIN 6798A M4
65	SL320001266	Supporto nero elettrovalvola doppia
66	SL300950428	Distanziale pannello posteriore GHZ
67	SL300009227	Vite zincato D-933 M4X45
68	SL300951466	Relé compressore NE2134GK 220/50
69	SL300951465	Salvatore compressore NE2134GK 220/50
70	SL38WBPA107	Passacavo PA-107 ELETTRGIBI
71	SL300950441	Vite zincata DIN 933 M6x30
72	SL300000861	Rondella zincata DIN 9021 M4
73	SL31FF0S00Z	Vite zincata DIN 7981-C B-2,9x9,5
74	SL300002429	Rondella dentata zincata DIN 6798-A M6
75	SL330000008	Vite zincata DIN 7500-C B-3,5x25 BZ
76	SL330000210	Deviatore nero UL 11x30 SIGN.LUX
77	IC541000418	Guarnizione 1,78x11,11 SL 60 114 rossa
78	SL300950299	Boiler GHZ-228 completo



Nº	Referencia	Denominación
1	SL340001664	Evaporador completo 5/16 1,24X2 (2,3,RP-3) ST2
2	SL320001269	Panel lateral izquierdo SATP GT 2/3-S
3	SL300970273	Bandeja superior GB-330 - negra
4	SL300000828	Tornillo inox NFE 27128 M4x10
5	SL320001283	Panel frontal SATP GRANITIME 3-S
6	SL310007282	Sonda temperatura
7	SL310001814	Condensador + Filtro SPIN3
8	SL310007309	Visualizador electrónico
9	SL310005969	Tapón sonda interna evap. (PLAST.)
10	SL310001655	Muelle sujeción sonda VIP
11	SL300000233	Aspas ventilador Ø 250 x 28º
12	SL320001258	Motoventilador 16W 220/50-60
13	IC541000418	Junta tórica 1,78x11,11 SL 60 114 roja
14	SL30PZ12NT8	Tubo desague silicona 8x12 mts.
15	SL300951921	Tornillo zincado DIN 7981 B-3'9x13
16	SL330000119	Protector interruptor 11x30
17	SL300003131	Interruptor general verde
18	SL330000096	Protector interruptor 22x30
19	SL330000209	Interruptor negro UL SIGNAL LUX
20	SL300970263	Rejilla goteo GB-10 negra
21	SL300970262	Bandeja goteo GB-10 negra
22	SL300951940	Obturador enchufe tapa sop. - negro
23	SL330000008	Tornillo zincado DIN 7500-C B-3,5x25 BZ
24	SL300002718	Tornillo inox DIN 7985 M6x10
25	SL31SN0T00Z	Tornillo niq. DIN 7981 B-3'5x9'5
26	SL300310017	Tuerca INOX DIN 934 M6
27	SL300002429	Arandela dentada zinc D-6798A M6
28	SL31CA06040	Tornillo Inox. D-933 M6x40
29	SL31JEMG060	Tuerca zincada DIN 934 M6
30	SL300000254	Arandela zincada DIN 9021 M6
31	SL330000216	Tornillo zincado DIN 933 M6x16
32	SL300950801	Tapón izquierdo embell. GHZ - blanco
33	SL300950802	Tapón derecho embell. GHZ - blanco
34	SL37ZG02168	Compresor T2168GK CSIR 220/50
35	SL320001173	Chasis completo GT3 / GHZ-342
36	SL300951357	Pie nivelador GHZ-14 V/99
37	SL310002221	Tornillo zincado DIN 7380 M8x20
38	SL300009227	Tornillo zincado DIN 933 M4x45
39	SL300951308	Condensador arranque T2168GK CSIR 220/50
40	SL300951627	Tapón bandeja superior - negro
41	SL310002739	Transformador 3VA 220-115/50-60 12V

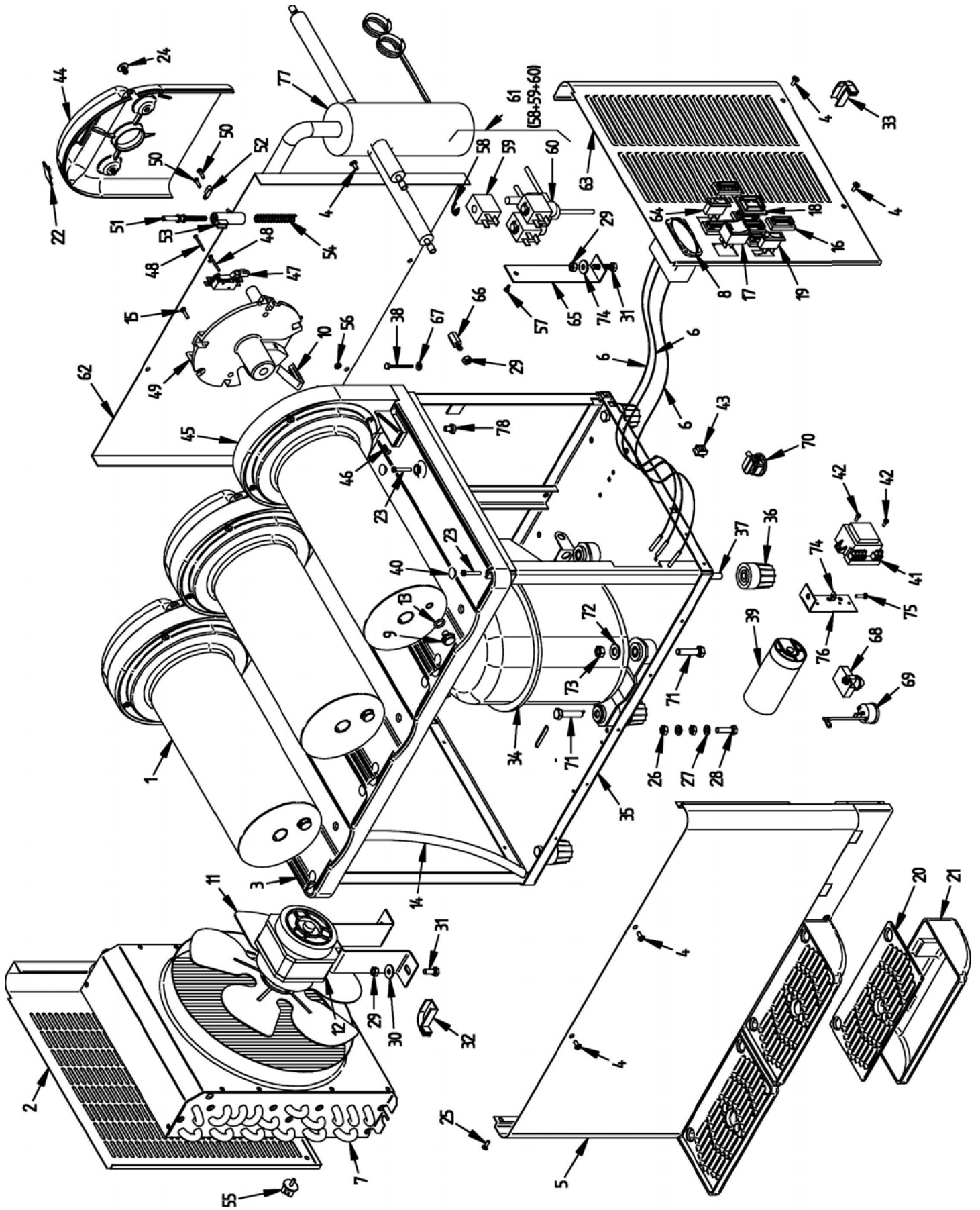
Nº	Referencia	Denominación
42	SL31SN0T00W	Tornillo niquelado DIN 7981-C B-3,5x6,5
43	SL300950568	Tuerca enjaulada N901034 M4
44	SL300951463	Tapa soporte evaporador GHZ - negra
45	SL310000320	Soporte evaporador GHZ PZ-1 - negro
46	SL31BBM4012	Tornillo inox DIN 963 M4x12
47	SL300950587	Minirruptor completo V/99
48	SL300950810	Tornillo zincado DIN 7505-B 2,5x25
49	SL310000321	Soporte evaporador GHZ PZ-2 - negro
50	SL300950760	Tornillo zincado D-7981 B2,9x13
51	SL3GS12035A	Vástago regulación GHZ EURO
52	SL3GS12036A	Sujeción sistema regulación
53	SL3GS12037B	Guía muelle sistema regulación
54	SL3GS12038A	Muelle regulación duro SP
55	SL300970274	Tornillo GB-10 - negro
56	SL300002330	Tuerca inox DIN 934 M4
57	SL300001400	Tornillo zincado DIN 933 M5x8
58	SL310000444	Grapa electroválvula B4
59	SL38EAE48GL	Bobina electroválvula gas CEME 230V 50Hz
59	SL310005788	Bobina electroválvula gas OLAB 230V 50Hz
60	SL300970157	Cuerpo electroválvula triple CEME
60	SL310006375	Cuerpo electroválvula triple OLAB
61	SL3GS36711B	Electroválvula triple completa CEME 230V 50Hz
61	SL310005791	Electroválvula triple completa OLAB 230V 50Hz
62	SL320001284	Panel trasero SAPT GT 3-S
63	SL310002772	Panel lateral derecho GSE-30 TS-E 09 430
64	SL330000210	Conmutador 11x30 negro SIGNAL LUX
65	SL320001266	Soporte electroválvula negro GT2 GT3
66	SL300950428	Distanciador panel trasero GHZ-2/3/4
67	SL300901578	Arandela zincada DIN 125 M4
68	SL300951306	Relé compresor T2168GK CSIR 220/50
69	SL300951307	Clixon compresor T2168GK CSIR 220/50
70	SL38WBPA107	Pasacable PA-107 ELETTRIGIBI
71	SL31CD08040	Tornillo zincado DIN 933 M8x40
72	SL300000251	Arandela zincada DIN 9021 M8
73	SL31JTM8008	Tuerca zincada DIN-6923 M8 con arandela
74	SL300002429	Arandela dentada zinc D-6798A M6
75	SL31FF0S00Z	Tornillo zincado DIN 7981-C B-2,9x9,5
76	SL300350023	Soporte transformador 3W.
77	SL300950937	Expansionador
78	SL310007516	Tornillo INOX D-7380 M6X12

N°	Reference	Description
1	SL340001664	Evaporator set 5/16 1,24X2 (2,3,RP-3) ST2
2	SL320001269	Left panel SATP GT 2/3-S
3	SL300970273	Upper tray GB-220 - black
4	SL300000828	Stainless steel screw NFE 27128 M4x10
5	SL320001283	Front panel SATP GRANITIME 3-S
6	SL310007282	Temperature probe
7	SL310001814	Condenser + Dryer SPIN3
8	SL310007309	Electronic temperature visual display
9	SL310005969	Evaporator internal probe plug (PLAST.)
10	SL310001655	Subjection probe spring VIP
11	SL300000233	Ventilator winding Ø250x28°
12	SL320001258	Motovertilator 16W 220/50-60
13	IC541000418	O-ring 1,78x11,11 SL 60 114 red
14	SL30PZ12NT8	Drainpipe white silicone 8x12 x mts.
15	SL300951921	Zinc screw DIN 7981 B-3'9x13
16	SL330000119	Cover protection for switch 11x30
17	SL300003131	Light main switch - 22x30 - Green
18	SL330000096	Cover protection for switch 22x30
19	SL330000209	Black switch UL SIGNAL LUX
20	SL300970263	Screen for leaking GB - black
21	SL300970262	Tray for leaking GB - black
22	SL300951940	Switch obturator - black
23	SL330000008	Zinc screw DIN 7500-C B-3,5x25 BZ
24	SL300002718	Stainless steel screw DIN 7985 M6x10
25	SL31SN0T00Z	Plated screw DIN 7981 B-3'5x9'5
26	SL300310017	Stainless steel nut DIN 934 M6
27	SL300002429	Washer jagged zinc DIN 6798-A M6
28	SL31CA06040	Stainless steel screw D-933 M6x40
29	SL31JEMG060	Zinc nut DIN 934 M6
30	SL300000254	Zinc washer DIN 9021 M6
31	SL330000216	Zinc screw DIN 933 M6x16
32	SL300950801	Left side trim cover GHZ - white
33	SL300950802	Right side trim cover GHZ - white
34	SL37ZG02168	Compressor T2168GK CSIR 220/50
35	SL320001173	Chassis GT3 / GHZ-342
36	SL300951357	Rubber foot GHZ-14 V/99
37	SL310002221	Zinc screw DIN 7380 M8x20
38	SL300009227	Zinc screw DIN 933 M4x45
39	SL300951308	Compressor capacitor T2168GK CSIR 220/50
40	SL300951627	Upper tray top - black
41	SL310002739	Transformer 3VA 220-115/50-60 12V

N°	Reference	Description
42	SL31SN0T00W	Plated screw DIN 7981-C B-3,5x6,5
43	SL300950568	Special nut type CWP M4
44	SL300951463	Evap. device supp. cover GHZ - black
45	SL310000320	Evap. device support GHZ PZ-1 - black
46	SL31BBM4012	Stainless steel screw DIN 965 M4x12
47	SL300950587	Full miniruptor V/99
48	SL300950810	Zinc screw DIN 7505-B 2,5x25
49	SL310000321	Evap. device support GHZ PZ-2 - black
50	SL300950760	Zinc screw D-7981 B2,9x13
51	SL3GS12035A	Hardness control pin
52	SL3GS12036A	Hardness control pin catch
53	SL3GS12037B	Hardness control pin bushing
54	SL3GS12038A	Torque compression spring
55	SL300970274	Tap screw GB-10 - black
56	SL300002330	Stainless steel nut DIN 934 M4
57	SL300001400	Stainless steel screw DIN 933 M5x8
58	SL310000444	Electrovalve clamp B4
59	SL38EAE48GL	Gas electrovalve bobbin CEME 230V 50Hz
59	SL310005788	Gas electrovalve bobbin OLAB 230V 50Hz
60	SL300970157	Triple electrovalve body CEME
60	SL310006375	Triple electrovalve body OLAB
61	SL3GS36711B	Full triple electrovalve CEME 230V 50Hz
61	SL310005791	Full triple electrovalve OLAB 230V 50Hz
62	SL320001284	Rear panel SAPT GT 3-S
63	SL310002772	Right panel GSE-30 TS-E 09 430
64	SL330000210	Change-over switch UL 11x30 SIGN.LUX
65	SL320001266	Double electrovalve support deck - black
66	SL300950428	Device distancing back panel
67	SL300901578	Zinc washer DIN 125 M4
68	SL300951306	Compressor relay T2168GK CSIR 220/50
69	SL300951307	Compressor clixon T2168GK CSIR 220/50
70	SL38WBPA107	Power cable fairlead
71	SL31CD08040	Zinc screw DIN 933 M8x40
72	SL300000251	Zinc washer DIN 9021 M8
73	SL31JTM8008	Zinc nut DIN-6923 M8 with washer
74	SL300002429	Washer jagged zinc DIN 6798-A M6
75	SL31FF0S00Z	Zinc screw DIN 7981-C B-2,9x9,5
76	SL300350023	Transformer support
77	SL300950937	Receiver
78	SL310007516	Stainless steel screw D-7380 M6X12

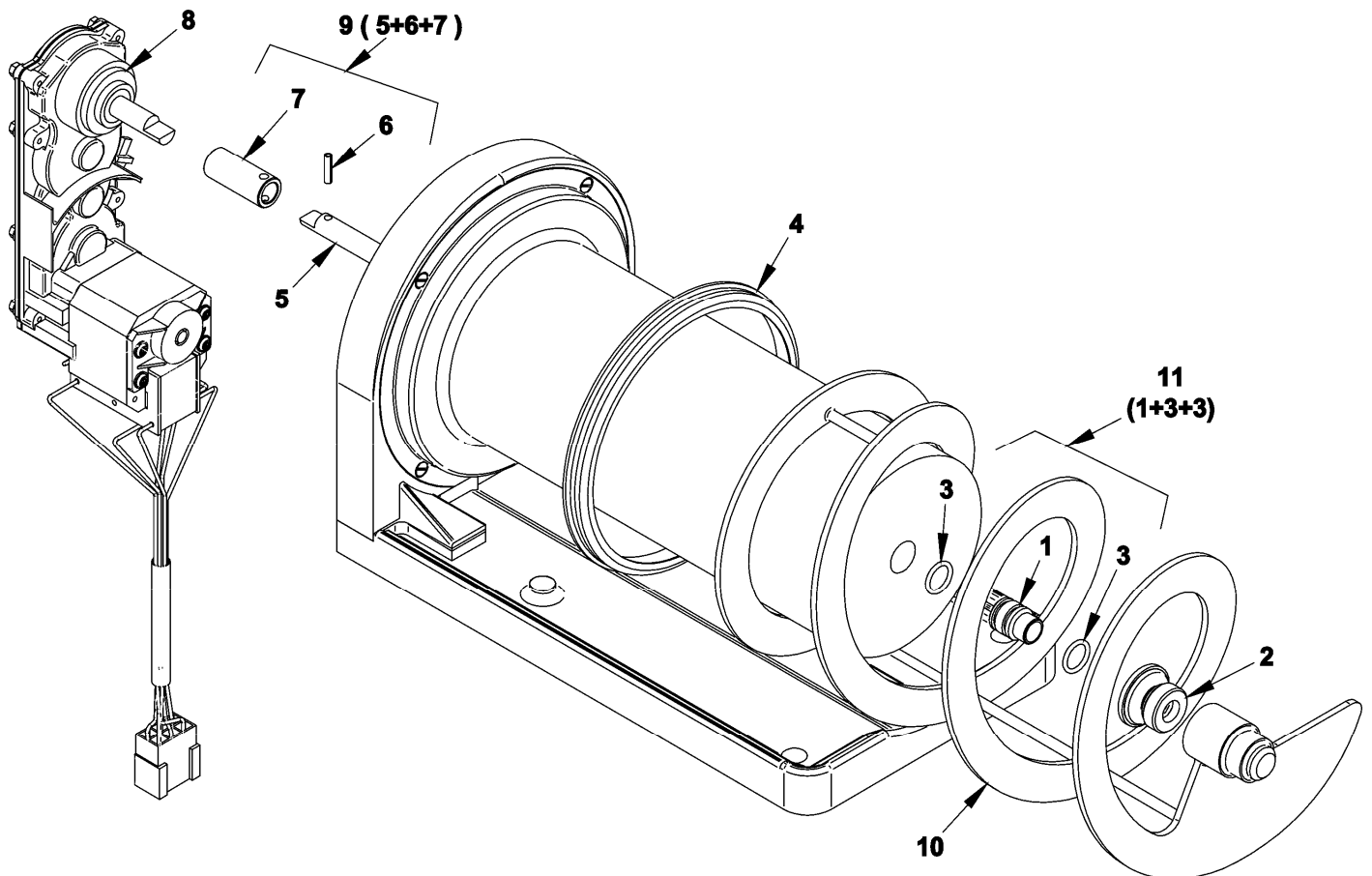
N°	Codice	Descrizione
1	SL340001664	Evaporatore 5/16 1,24X2 (2,3,RP-3) ST2
2	SL320001269	Pannello sinistro SATP GT 2/3-S
3	SL300970273	Piano d'appoggio superiore GB-330 - nero
4	SL300000828	Vite inox NFE 27128 M4x10
5	SL320001283	Pannello anteriore SATP GRANITIME 3-S
6	SL310007282	Sonda temperatura
7	SL310001814	Condensatore + Filtro SPIN3
8	SL310007309	Visualizzatore di temperatura
9	SL310005969	Tappo sonda interna evap. (PLAST.)
10	SL310001655	Molla fermo sonda VIP
11	SL300000233	Alette ventilatore Ø250x28°
12	SL320001258	Motoventilatore 16W 220/50-60
13	IC541000418	Guarnizione 1,78x11,11 SL 60 114 rossa
14	SL30PZ12NT8	Tubo scarico silicone 8x12 x mts.
15	SL300951921	Vite zincata DIN 7981 B-3'9x13
16	SL330000119	Cappuccio protezione Interruttore 11x30
17	SL300003131	Interruttore generale luminoso 22x30 verde 230V
18	SL330000096	Cappuccio protezione Interruttore 22x30
19	SL330000209	Interruttore nero UL SIGNAL LUX
20	SL300970263	Griglia vaschetta GB - nera
21	SL300970262	Vaschetta scarico GB - nera
22	SL300951940	Otturatore presa elettrica - nero
23	SL330000008	Vite zincata DIN 7500-C B-3,5x25 BZ
24	SL300002718	Vite inox DIN 7985 M6x10
25	SL31SN0T00Z	Vite nich. DIN 7981 B-3'5x9'5
26	SL300310017	Dado inox. DIN 934 M6
27	SL300002429	Rondella dentata zincata DIN 6798-A M6
28	SL31CA06040	Vite inox. D-933 M6x40
29	SL31JEMG060	Dado zincato DIN 934 M6
30	SL300000254	Rondella zincata DIN 9021 M6
31	SL330000216	Vite zincata DIN 933 M6x16
32	SL300950801	Tappo sinistro pannello frontale GHZ - bianco
33	SL300950802	Tappo destro pannello frontale GHZ - bianco
34	SL37ZG02168	Compressore T2168GK CSIR 220/50
35	SL320001173	Telaio completo GT3 / GHZ-342
36	SL300951357	Piedini livellamento GHZ-14 V/99
37	SL310002221	Vite zincato DIN 7380 M8x20
38	SL300009227	Vite zincata DIN 933 M4x45
39	SL300951308	Condensatore compressore T2168GK CSIR 220/50
40	SL300951627	Tappo vassoio superiore - nero
41	SL310002739	Trasformatore 3VA 220-115/50-60 12V

N°	Codice	Descrizione
42	SL31SN0T00W	Vite niq. DIN 7981-C B-3,5x6,5
43	SL300950568	Dado speciale CWP M4
44	SL300951463	Coperchio supporto evaporatore GHZ - nero
45	SL310000320	Supporto evaporatore. pz. 1 Nero
46	SL31BBM4012	Vite inox DIN 965 M4x12
47	SL300950587	Microinterruttore GHZ V/99
48	SL300950810	Vite zincato DIN 7505-B 2,5x25
49	SL310000321	Supporto evaporatore. pz. 2 Nero
50	SL300950760	Vite zincata D-7981 B2,9x13
51	SL3GS12035A	Perno regolazione durezza
52	SL3GS12036A	Fermo perno regolazione durezza
53	SL3GS12037B	Boccola perno regolazione durezza
54	SL3GS12038A	Molla regolazione durezza Ø1,2
55	SL300970274	Vite GB-10 - nero
56	SL300002330	Dado inox DIN 934 M4
57	SL300001400	Vite inox DIN 933 M5x8
58	SL310000444	Morsetto elettrovalvola B4
59	SL38EAE48GL	Bobina elettrovalvola gas CEME 230V 50Hz
59	SL310005788	Bobina elettrovalvola gas OLAB 230V 50Hz
60	SL300970157	Corpo elettrovalvola tripla CEME
60	SL310006375	Corpo elettrovalvola tripla OLAB
61	SL3GS36711B	Elettrovalvola tripla completa CEME 230V 50Hz
61	SL310005791	Elettrovalvola tripla completa OLAB 230V 50Hz
62	SL320001284	Pannello posteriore SAPT GT 3-S
63	SL310002772	Pannello destro GSE-30 TS-E 09 430
64	SL330000210	Deviatore nero UL 11x30 SIGN.LUX
65	SL320001266	Supporto nero elettrovalvola doppia
66	SL300950428	Distanziale pannello posteriore GHZ
67	SL300901578	Rondella zincata DIN 125 M4
68	SL300951306	Relé compressore T2168GK CSIR 220/50
69	SL300951307	Salvamatore compressore T2168GK CSIR 220/50
70	SL38WBPA107	Passacavo PA-107 ELETTROGIBI
71	SL31CD08040	Vite zincata DIN 933 M8x40
72	SL300000251	Rondella zincata DIN 9021 M8
73	SL31JTM8008	Dado zincato DIN-6923 M8 con rondella
74	SL300002429	Rondella dentata zincata DIN 6798-A M6
75	SL31FF0S00Z	Vite zincata DIN 7981-C B-2,9x9,5
76	SL300350023	Supporto trasformatore 3W
77	SL300950937	Boiler
78	SL310007516	Vite inox D-7380 M6X12



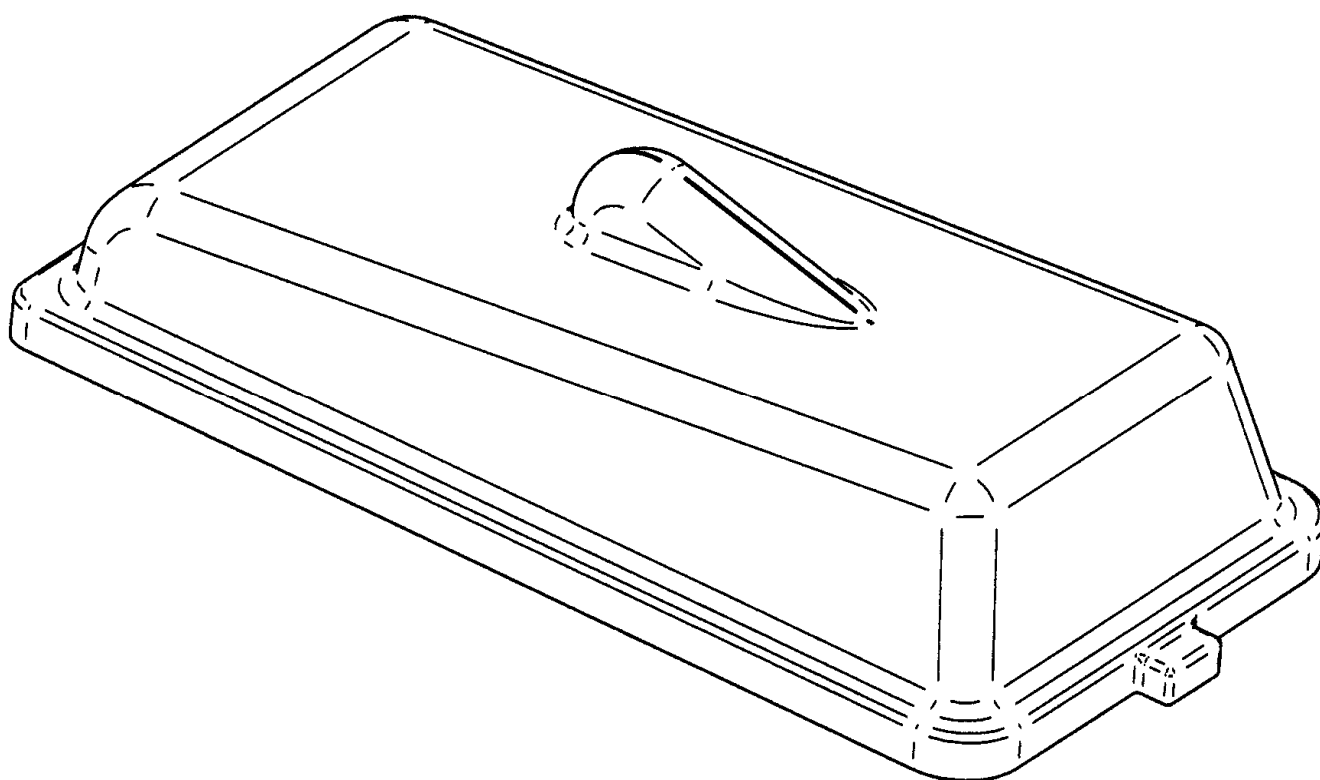
ESTANQUEIDAD Y TRANSMISION - WATERTIGHTNESS AND TRANSMISSION - TENUTA E TRASCINAMENTO

Nº	Cod.	Denominación	Description	Descrizione
1	SL320002598	Casquillo estanqueidad evaporador GHZ-G5 2M6 V/9	Shaft supporting bushing GHZ-G5 2M6 V/9	Boccola sostegno albero GHZ-G5 2M6 V/9
2	SL310003830	Junta estanqueidad eje GHZ-GB 2M6 sil.traslu.	Watertight shaft joint GHZ GB 2M6 sil.translu.	Guarnizione ventosa GHZ GB 2M6 sil.traslu.
3	SL310001843	Junta tórica silicona Ø15x2 - roja	O-ring Ø15 x Ø2 silicone - Red	Guarnizione Ø15 x Ø2 silicone - rossa
4	SL320001598	Junta depósito	Tank joint	Guarnizione vasca
5	SL310002028	Eje transmisión GHZ GB TMC 06	Beater Drive Shaft GHZ GB TMC 06	Albero trascinamento GHZ GB TMC 06
6	SL310002027	Pasador inox DIN 1481 Ø4x18	Stainless steel blade pin DIN 1481 Ø4x18	Spina inox DIN 1481 Ø4x18
7	SL310002029	Racord eje transmisión TMC 06	Transmission shaft racor TMC 06	Raccordo albero trascinamento TMC 06
8	SL330000338	Motorreductora ELCO mono 230/50	Gear motor ELCO mono 230/50	Motoriduttore ELCO mono 230/50
8	SL310001422	Motorreductora KENTA mono 230/50	Gear motor KENTA mono 230/50	Motoriduttore KENTA mono 230/50
8	SL310005299	Motorreductora VERNIS mono 230/50	Gear motor VERNIS mono 230/50	Motoriduttore VERNIS mono 230/50
9	SL310002030	Eje transm. completo GHZ GB TMC 06	Full Beater Drive Shaft GHZ GB TMC 06	Albero trascinamento completo GHZ GB TMC 06
10	SL310001772	Pala espiral	Spiral shovel	Coclea
11	SL340001646	Casq. estanq. + tóricas GHZ-G5 2M6 V/9	Shaft supp. bush. + O-rings GHZ-G5 2M6 V/9	Boccola sost. alb. + guarniz. GHZ-G5 2M6 V/9



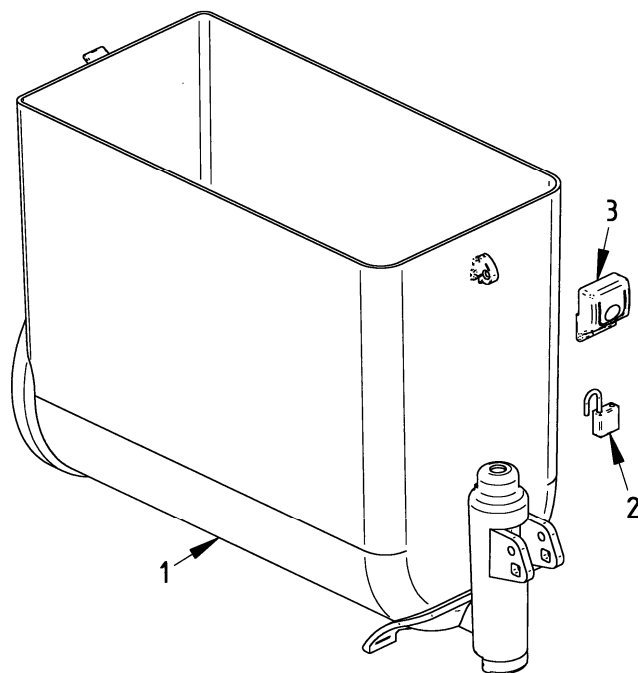
TAPA - COVER - COPERCHIO

Nº	Cod.	Denominación	Description	Descrizione
1	SL31000470	Tapa depósito GB TMC 03 - negra	Top cover GB TMC 03 - black	Coperchio GB TMC 03 - Nero



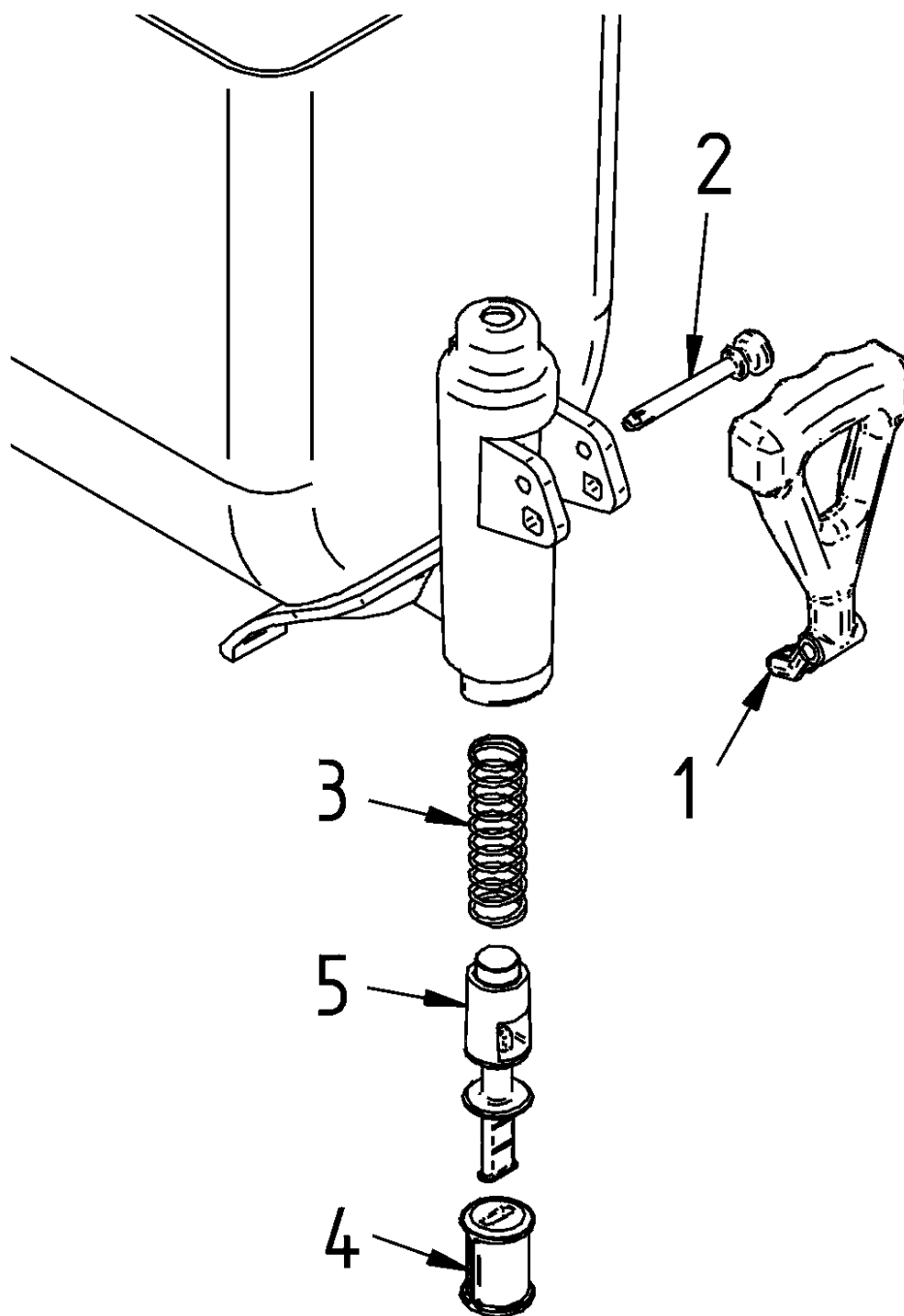
DEPÓSITO - TANK - VASCA

Nº	Cod.	Denominación	Description	Descrizione
1	SL310001366	Depósito GB v/candado 05	Tank GB-10 v/padlock 05	Vasca GB v/lucchetto 05
2	SL300951369	Candado (OPCIONAL)	Padlock (OPTIONAL)	Lucchetto (OPZIONALE)
3	SL310001566	Leva candado depósito GB 05 - negra	Tank locking cam - black	Leva lucchetto vasca nera



GRIFO - TAP - RUBINETTO

N°	Cod.	Denominación	Description	Descrizione
1	SL3GS12086C	Leva grifo HOSTAF.C2521 TY01 - negra	Spigot handle - Black	Leva rubinetto Nera
2	SL3GS12043D	Pasador leva grifo EURO negro	Spigot pin	Perno rubinetto
3	SL310000685	Muelle grifo GR-127	Spigot spring	Molla rubinetto
4	SL320001758	Junta especial pistón LD - blanca	Double-lip cock washer	Guarnizione rub. doppio labbro
5	SL310001367	Pistón grifo LD - blanco	Double-lip spring piston	Stantuffo rubinetto doppio labbro



GRANICREAM 10-2 TS-E 230/50 CE BLACK
GRANICREAM 10-3 TS-E 230/50 CE BLACK

SL8GC102183V03
SL8GC103183V02