

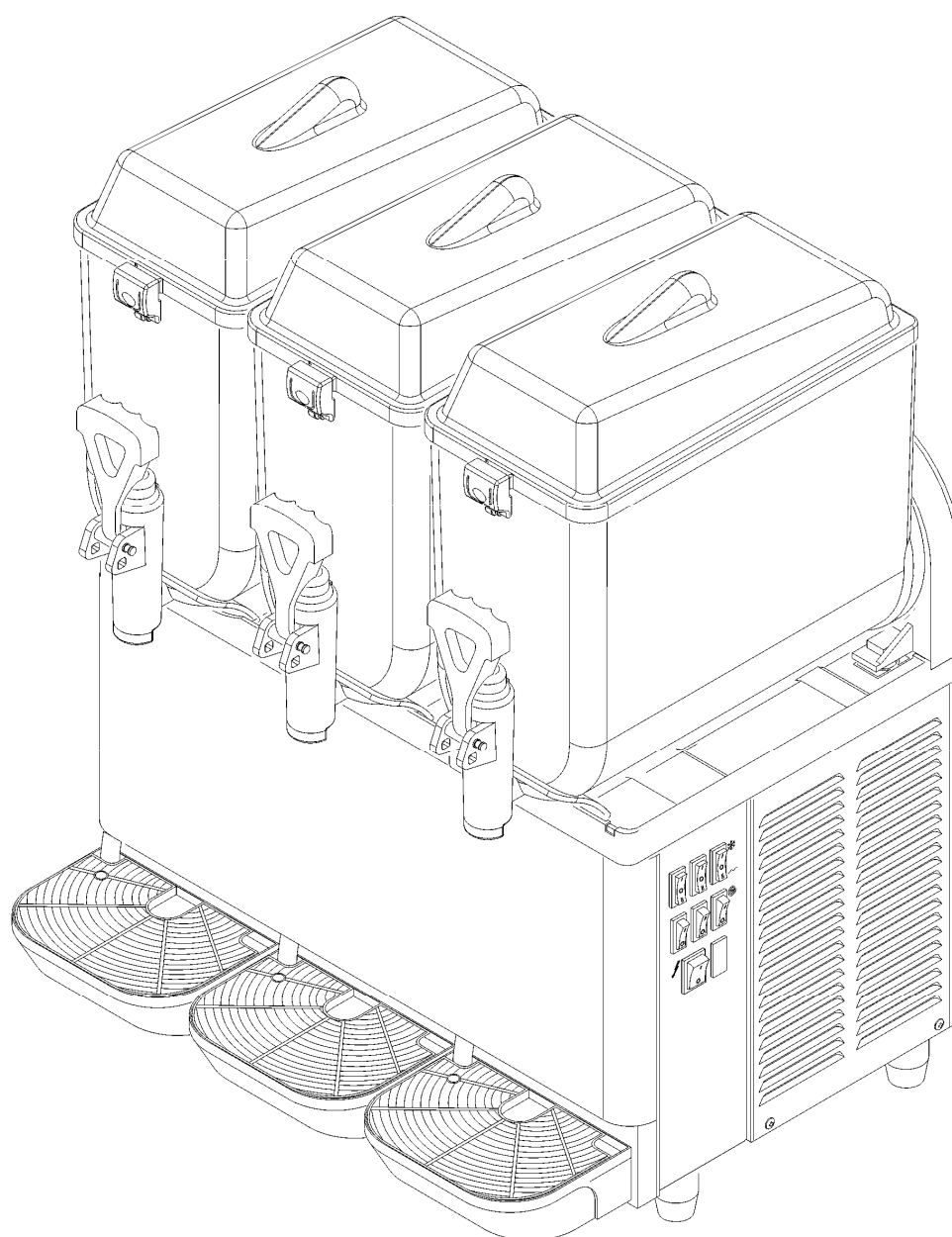
LISTA DE PIEZAS DE RECAMBIO  
LIST OF COMPONENTS PARTS  
LISTA RICAMBI

GRANIZADORA DE BANCO  
GRANITA MACHINE  
GRANITORE DA BANCO

# GRANICREAM 10-3 CE BLACK

Ref.: SL8GC123116

230-240 V. / 50 Hz.



## LISTA DE PIEZAS

Nº	Referencia	Denominación
1	SL310000470	Tapa negra
2	SL340001381	Depósito 10 Litri
3	SL310001566	Palanca candado tanque negra
4	SL3GS24118A	Candado
5	SL3GS12043D	Perno grifo
6	SL3GS12086C	Palanca negra grifo
7	SL310000685	Muelle grifo
8	SL310001367	Pistón grifo doble labio
9	SL320001758	Arandela grifo doble labio
10	SL310001772	Pala espiral completa
11	SL340000840	Panel lateral izquierdo
12	SL320001283	Panel frontal
13	SL340000536	Cuba receptora de goteo completa negra
13 <sub>1</sub>	SL320001018	Rejilla goteo GT negra
13 <sub>2</sub>	SL320001013	Flotador rejilla goteo rojo GT
13 <sub>3</sub>	SL320001014	Bandeja goteo GT negra
14	SL320000054	Tubo desagüe
15	SL320001335	Manguera 3x1,5 3M.Schuko+PA107 GT3-S
16	SL310003830	Junta estanqueidad eje GHZ-GB 2M6 sil.traslu.
17	SL300951627	Tapón bandeja superior - negro
18	SL320002598	Casquillo evaporador GHZ-G5 2M6 V/9
19	SL3GS36007B	Junta evaporador/depósito
20	SL300950585	Evapor.compl.5/16 1,25x2 (2,3,RP-3)
21	SL340000072	Soporte evaporador completo negro
22	SL310000321	Soporte evaporador PZ-1 negro
23	SL310000320	Soporte evaporador PZ-2 negro
24	SL3GS12036A	Sujeción sistema regulación
25	SL3GS12035A	Vástago regulación
26	SL3GS24026E	Tapa soporte evaporador - negra
27	SL3GS12037B	Guía muelle sistema regulación
28	SL310001422	Motorreductora KENTA mono 220/50
29	SL310002029	Racord eje transmisión TMC 06
30	SL310002027	Pasador inox DIN 1481 Ø4x18
31	SL310002028	Eje transmisión GHZ GB TMC 06
32	SL3GS12038A	Muelle regulación duro
33	SL300950587	Minirruptor completo

Nº	Referencia	Denominación
34	SL340000843	Panel trasero
35	SL300970273	Bandeja superior - negra
36	SL300970232	Soporte evaporador
37	SL320001173	Chasis completo
38	SL300950448	Soporte termostato GHZ-342 V/95
39	SL37AAL3231	Termostato RANKO K50 L3231
40	SL300950801	Protección angular izquierda
41	SL300950802	Protección angular derecha
42	SL300951357	Pie nivelador H. 40 mm
43	SL300970274	Pomo negro
44	SL300950428	Distanciador panel trasero
45	SL320002172	Panel porta mandos completo
46	SL320002173	Adhesivo porta mandos
47	SL320001063	Panel porta mandos
48 <sub>1</sub>	SL300951306	Relé compresor T2168GK 220-240/50
48 <sub>2</sub>	SL300951307	Clixon compresor T2168GK 220-240/50
48 <sub>3</sub>	SL300951308	Condensador compresor T2168GK 220-240/50
49	SL340000839	Panel lateral derecho
50	SL300951089	Conmutador 11x30 negro
51	SL300000964	Interruptor 11x30 negro
52	SL330000119	Protección interruptor 11 x 30
53	SL38AF1130N	Tapa negra orificio interr./puls. 11x30
54	SL300003131	Interruptor general luminoso 22x30 verde
55	SL330000096	Protección interruptor 22 x 30
56	SL300970233	Condensador
57	SL3GS36815A	Filtro
58	SL340000819	Grupo condensador completo
59	SL300950937	Caldera
60	SL300000233	Aspas ventilador VA ø254/28°
61	SL37ZG02168	Compresor T2168GK 220-240/50
62	SL320001258	Motoventilador 220/240V 50/60HZ
63	SL300950568	Tuerca en jaula "M4"
64	SL38EAE48GL	Bobina electroválvula gas 230V 50/60 Hz
65	SL340001468	Electroválvula gas 3-vía completa 230V 50/60HZ
66	SL310001843	Junta tórica Ø15 x Ø2 silicona - roja

## LIST OF COMPONENTS PARTS

N°	Reference	Description
1	SL310000470	Black lid
2	SL340001381	Bowl 10 Litres
3	SL310001566	Black bowl padlock lever
4	SL3GS24118A	Padlock
5	SL3GS12043D	Spigot pin
6	SL3GS12086C	Spigot handle - Black
7	SL310000685	Spigot spring
8	SL310001367	Double-lip spring piston
9	SL320001758	Double-lip cock washer
10	SL310001772	Auger spiral
11	SL340000840	Left panel
12	SL320001283	Front panel
13	SL340000536	Drip tray assy - Black
13 <sub>1</sub>	SL320001018	Screen for leaking GT - black
13 <sub>2</sub>	SL320001013	Screen for leaking GT float - red
13 <sub>3</sub>	SL320001014	Tray for leaking GT - black
14	SL320000054	Drain pipe
15	SL320001335	Power cable 3x1,5 3M.Schuko+PA107 GT3-S
16	SL310003830	Watertight shaft joint GHZ GB 2M6 sil.translu.
17	SL300951627	Evaporator tray bung - black
18	SL320002598	Shaft supporting bushing GHZ-G5 2M6 V/9
19	SL3GS36007B	Evaporator/bowl rear gasket
20	SL300950585	Full evaporator 5/16 1,25x2 (2,3,RP-3)
21	SL340000072	Evaporator support assy - Black
22	SL310000321	Evaporator support Pz 1 - Black
23	SL310000320	Evaporator support Pz 2 - Black
24	SL3GS12036A	Hardness control pin catch
25	SL3GS12035A	Hardness control pin
26	SL3GS24026E	Evaporator support cover - Black
27	SL3GS12037B	Hardness control pin bushing
28	SL310001422	Gear motor KENTA mono 220/50
29	SL310002029	Transmission shaft racor TMC 06
30	SL310002027	Stainless steel blade pin DIN 1481 Ø4x18
31	SL310002028	Beater Drive Shaft GHZ GB TMC 06
32	SL3GS12038A	Torque compression spring (1,2)
33	SL300950587	Limit switch

N°	Reference	Description
34	SL340000843	Rear panel
35	SL300970273	Evaporator tray - Black
36	SL300970232	Evaporator tray support
37	SL320001173	Chassis
38	SL300950448	Thermostat support GHZ-342 V/95
39	SL37AAL3231	Thermostat RANKO K50 L3231
40	SL300950801	Left corner protection
41	SL300950802	Right corner protection
42	SL300951357	Foot H. 40 mm
43	SL300970274	Black knob
44	SL300950428	Rear panel spacer
45	SL320002172	Complete control panel
46	SL320002173	Control board adhesive
47	SL320001063	Control panel
48 <sub>1</sub>	SL300951306	Compressor relay T2168GK 220-240/50
48 <sub>2</sub>	SL300951307	Compressor clixon T2168GK 220-240/50
48 <sub>3</sub>	SL300951308	Compressor condenser T2168GK 220-240/50
49	SL340000839	Right panel
50	SL300951089	Change-over switch I-0-II 11x30 black
51	SL300000964	Switch 11x30 - Black
52	SL330000119	Cover protection for switch 11 x 30
53	SL38AF1130N	Switch/key hole black cap 11x30
54	SL300003131	Light main switch 22x30 - Green
55	SL330000096	Cover protection for switch 22 x 30
56	SL300970233	Condenser
57	SL3GS36815A	Dryer
58	SL340000819	Condenser group assy
59	SL300950937	Receiver
60	SL300000233	Fan blade VA ø254/28°
61	SL37ZG02168	Compressor T2168GK 220-240/50
62	SL320001258	Fan motor 220/240V 50/60HZ
63	SL300950568	Cage nut "M4"
64	SL38EAE48GL	Ev-coil - gas 230V 50/60 Hz
65	SL340001468	3-way solenoid valve assy 230V 50/60HZ
66	SL310001843	O-ring Ø15 x Ø2 silicone - Red

## ELENCO COMPONENTI

N°	Codice	Descrizione
1	SL310000470	Coperchio Nero
2	SL340001381	Vasca 10 Litri
3	SL310001566	Leva lucchetto vasca nera
4	SL3GS24118A	Lucchetto
5	SL3GS12043D	Perno rubinetto
6	SL3GS12086C	Leva rubinetto Nera
7	SL310000685	Molla rubinetto
8	SL310001367	Stantuffo rubinetto doppio labbro
9	SL320001758	Guarnizione rub. doppio labbro
10	SL310001772	Coclea
11	SL340000840	Pannello sinistro
12	SL320001283	Pannello anteriore
13	SL340000536	Vaschetta sgocciolio completa Nera
13 <sub>1</sub>	SL320001018	Griglia vaschetta GT - nera
13 <sub>2</sub>	SL320001013	Galleggiante griglia vaschetta GT - rosso
13 <sub>3</sub>	SL320001014	Vaschetta scarico GT - nera
14	SL320000054	Tubo scarico condensa
15	SL320001335	Cavo aliment. 3x1,5 3M.Schuko+PA107 GT3-S
16	SL310003830	Guarnizione ventosa GHZ GB 2M6 sil.traslu.
17	SL300951627	Tappo piano evaporatore nero
18	SL320002598	Boccola sostegno albero GHZ-G5 2M6 V/9
19	SL3GS36007B	Guarnizione evaporatore/vasca
20	SL300950585	Evapor.compl.5/16 1,25x2 (2,3,RP-3)
21	SL340000072	Supporto evaporatore completo Nero
22	SL310000321	Supporto evaporatore Pz 1 Nero
23	SL310000320	Supporto evaporatore Pz 2 Nero
24	SL3GS12036A	Fermo perno regolazione durezza
25	SL3GS12035A	Perno regolazione durezza
26	SL3GS24026E	Coperchio supporto evaporatore Nero
27	SL3GS12037B	Boccola perno regolazione durezza
28	SL310001422	Motoriduttore KENTA mono 220/50
29	SL310002029	Raccordo albero trascinamento TMC 06
30	SL310002027	Spina inox DIN 1481 Ø4x18
31	SL310002028	Albero trascinamento GHZ GB TMC 06
32	SL3GS12038A	Molla regolazione durezza (1,2)
33	SL300950587	Microinterruttore

N°	Codice	Descrizione
34	SL340000843	Pannello posteriore
35	SL300970273	Piano evaporatore Nero
36	SL300970232	Supporto piano evaporatore
37	SL320001173	Telaio
38	SL300950448	Supporto termostato GHZ-342 V/95
39	SL37AAL3231	Termostato RANKO K50 L3231
40	SL300950801	Protezione angolare sinistra
41	SL300950802	Protezione angolare destra
42	SL300951357	Piede H. 40 mm
43	SL300970274	Pomello nero
44	SL300950428	Distanziale pannello posteriore
45	SL320002172	Pannello portacomandi assiemato
46	SL320002173	Adesivo portacomandi
47	SL320001063	Pannello portacomandi
48 <sub>1</sub>	SL300951306	Relé compressore T2168GK 220-240/50
48 <sub>2</sub>	SL300951307	Clixon compressore T2168GK 220-240/50
48 <sub>3</sub>	SL300951308	Condensatore compressore T2168GK 220-240/50
49	SL340000839	Pannello destro
50	SL300951089	Interruttore dev. I-O-II 11x30 nero
51	SL300000964	Interruttore 11x30 nero
52	SL330000119	Cappuccio di protezione interruttore 11 x 30
53	SL38AF1130N	Tappo nero foro Inter/puls. 11x30
54	SL300003131	Inter. generale luminoso 22x30 verde
55	SL330000096	Cappuccio di protezione interruttore 22 x 30
56	SL300970233	Condensatore frigo
57	SL3GS36815A	Filtro
58	SL340000819	Gruppo condensatore assiemato
59	SL300950937	Boiler
60	SL300000233	Ventola D. 254/28°
61	SL37ZG02168	Compressore T2168GK 220-240/50
62	SL320001258	Motoventilatore 220/240V 50/60HZ
63	SL300950568	Dado in gabbia "M4"
64	SL38EAE48GL	Bobina elettrovalvola gas 230V 50/60HZ
65	SL340001468	Elettrovalvola gas 3-vie completa 230V 50/60HZ
66	SL310001843	Guarnizione Ø15 x Ø2 silicone - rossa

DESPIECE - EXPLODED VIEW - ESPLOSO DISEGNO

