

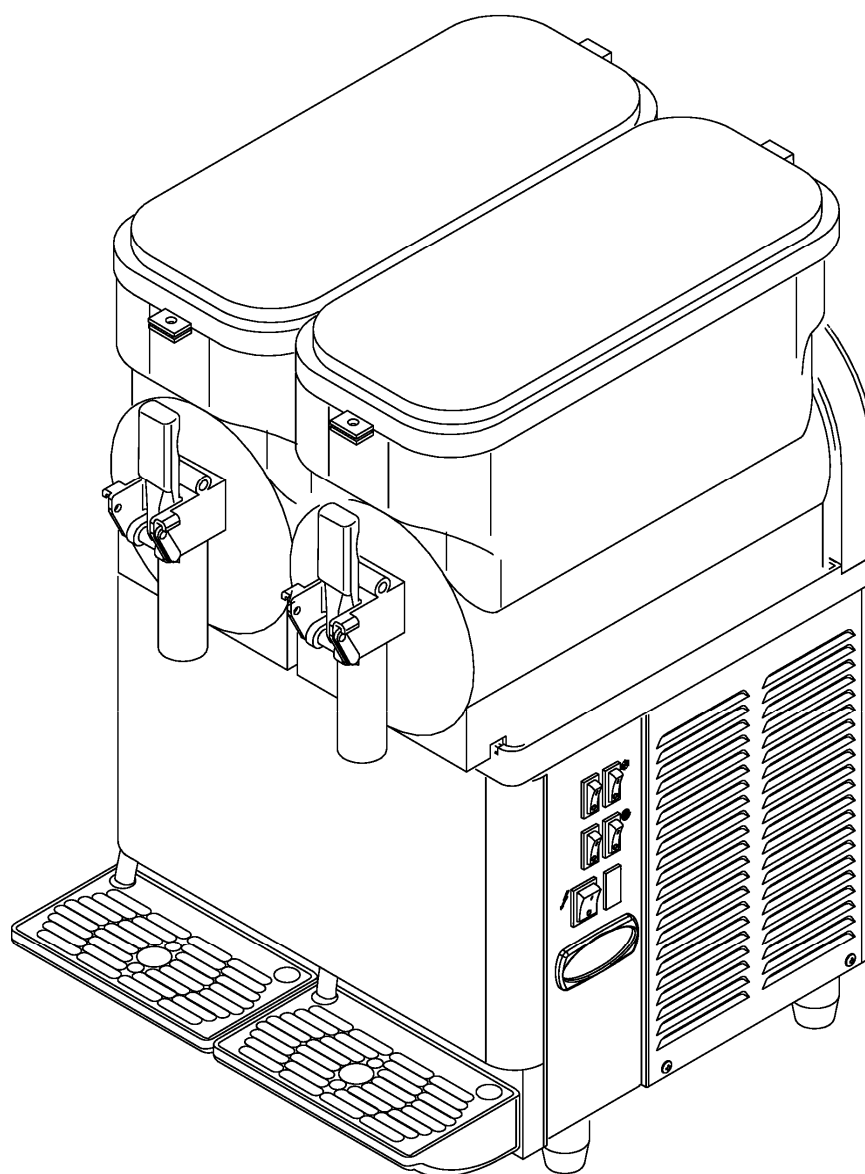
LISTA DE PIEZAS DE RECAMBIO
LIST OF COMPONENTS PARTS
LISTA RICAMBI

GRANIZADORA DE BANCO
GRANITA MACHINE
GRANITORE DA BANCO

GRANISHERBET 2-S TS-E LIGHT BLUE

Ref.: SL8GS082186

230-240 V. / 50 Hz.



LISTA DE PIEZAS

Nº	Referencia	Denominación
1	SL320000986	Tapa azul claro
2	SL3GS82013A	Tapón bloqueo grifo
3	SL320001401	Resorte cilíndrico
4	SL3GS12040C	Palanca azul claro grifo
5	SL310000367	Perno grifo
6	SL310001367	Pistón grifo
7	SL310001843	Junta tórica Ø15 x Ø2 silicona - roja
8	SL320001758	Junta grifo
9	SL320000054	Tubo desagüe
10	SL310003830	Junta estanqueidad eje GHZ-GB 2M6 sil.traslu.
11	SL3GS12009D	Pala espiral completa
12	SL320001269	Panel lateral izquierdo GT2/3-S
13	SL320001044	Panel frontal
14	SL340000742	Cuba receptora de goteo completa azul claro
14 ₁	SL300970260	Rejilla goteo GB - azul claro
14 ₂	SL300970259	Bandeja goteo GB - azul claro
15	SL340000540	Depósito 8 Litri
16	SL320000109	Soporte evaporador PZ-1 azul claro
17	SL320000110	Soporte evaporador PZ-2 azul claro
18	SL3GS36007B	Junta evaporador/depósito
19	SL320002598	Casquillo evaporador GHZ-G5 2M6 V/9
20	SL300950585	Evaporador 5/16 1,25x2 (2,3,RP-3)
21 ₁	SL300951466	Relé compresor NE2134GK 230-240/50
21 ₂	SL300951465	Clixon compresor NE2134GK 230-240/50
21 ₃	SL300951743	Condensador compresor NE2134GK 230-240/50
22	SL300951357	Pie nivelador H. 40 mm
23	SL300950428	Distanciador panel trasero
24	SL300950568	Tuerca en jaula "M4"
25	SL310000614	Tapón bandeja superior - azul claro
26	SL310003751	Cable alimentación enchufe Schuko + PA107
27	SL3GS12036A	Sujeción sistema regulación
28	SL3GS12035A	Vástago regulación
29	SL3GS24026D	Tapa soporte evaporador - azul claro
30	SL3GS12037B	Guía muelle sistema regulación
31	SL310001422	Motorreductora KENTA mono 230V 50Hz
32	SL3GS12031A	Racord eje transmisión

Nº	Referencia	Denominación
33	SL300006076	Arandela de seguridad
34	SL3GS12030A	Eje transmisión GHZ inox
35	SL340000071	Soporte evaporador completo azul claro
36	SL300950587	Minirruptor completo
37	SL3GS12038A	Muelle regulación duro
38	SL310000606	Bandeja superior - azul claro
39	SL340000838	Panel trasero
40	SL300970232	Soporte evaporador
41	SL300950801	Protección angular izquierda
42	SL320001170	Chasis completo
43	SL300950802	Protección angular derecha
44	SL320001270	Panel lateral derecho GT2/3-S
45	SL300970274	Grifo negro
46	SL310003885	Panel portamandos completo
47	SL320002667	Adhesivo portamandos GSH2-S TS-E
48	SL320002653	Panel portamandos GT2-S TS-E
49	SL300000964	Interruptor 11x30 negro
50	SL330000119	Protección interruptor 11 x 30
51	SL38AF1130N	Tapón Negro orificio interr./puls. 11x30
52	SL300003131	Interruptor general luminoso 22x30 verde
53	SL330000096	Protección interruptor 22 x 30
54	SL38EAE48GL	Bobina electroválvula CEME 230V 50/60 Hz
55	SL3GS24711B	Electroválvula doble completa CEME 230V 50/60Hz
56	SL300970236	Condensador
57	SL3GS36815A	Filtro
58	SL340000769	Grupo condensador completo
59	SL300950299	Caldera
60	SL37ZH02134	Compresor NE2134GK 230-240/50
61	SL300000233	Aspas ventilador VA ø254/28º
62	SL320001258	Motoventilador 220/240V 50/60HZ
63	SL3GS82016A	Eje cierre grifo
64	SL3GS24118A	Candado
65	SL310002791	Termostato electrónico 09
66	SL310002831	Sonda temp. termost. electrónico
67	SL310002739	Transformador 3VA 220/50
68	SL310002832	Condensador 0'022 mF 275V

LIST OF COMPONENTS PARTS

N°	Reference	Description
1	SL320000986	Sky blue cover
2	SL3GS82013A	Spigot tap holder
3	SL320001401	Round spring
4	SL3GS12040C	Spigot handle - Sky blue
5	SL310000367	Spigot pin
6	SL310001367	Spigot plunger
7	SL310001843	O-ring Ø15 x Ø2 silicone - Red
8	SL320001758	Gasket spigot
9	SL320000054	Drain pipe
10	SL310003830	Watertight shaft joint GHZ GB 2M6 sil.translu.
11	SL3GS12009D	Auger spiral
12	SL320001269	Left panel GT2/3-S
13	SL320001044	Front panel
14	SL340000742	Drip tray assy - Sky blue
14 ₁	SL300970260	Screen for leaking GB - Sky blue
14 ₂	SL300970259	Tray for leaking GB - Sky blue
15	SL340000540	Bowl 8 Litres
16	SL320000109	Evaporator support PZ 1 - Sky blue
17	SL320000110	Evaporator support PZ 2 - Sky blue
18	SL3GS36007B	Evaporator/bowl rear gasket
19	SL320002598	Shaft supporting bushing GHZ-G5 2M6 V/9
20	SL300950585	Evaporator 5/16 1,25x2 (2,3,RP-3)
21 ₁	SL300951466	Compressor relay NE2134GK 230-240/50
21 ₂	SL300951465	Compressor clixon NE2134GK 230-240/50
21 ₃	SL300951743	Compressor condenser NE2134GK 230-240/50
22	SL300951357	Foot H. 40 mm
23	SL300950428	Rear panel spacer
24	SL300950568	Cage nut "M4"
25	SL310000614	Evaporator tray bung - Sky blue
26	SL310003751	Power cable with Schuko plug + PA107
27	SL3GS12036A	Hardness control pin catch
28	SL3GS12035A	Hardness control pin
29	SL3GS24026D	Evaporator support cover - Sky blue
30	SL3GS12037B	Hardness control pin bushing
31	SL310001422	Gear motor KENTA mono 230V 50Hz
32	SL3GS12031A	Bushing spindle conn.

N°	Reference	Description
33	SL300006076	Seeger-ring
34	SL3GS12030A	Drive shaft for spiral GHZ
35	SL340000071	Evaporator support assy - Sky blue
36	SL300950587	Limit switch
37	SL3GS12038A	Torque compression spring
38	SL310000606	Evaporator tray - Sky blue
39	SL340000838	Rear panel
40	SL300970232	Evaporator tray support
41	SL300950801	Left corner protection
42	SL320001170	Chassis
43	SL300950802	Right corner protection
44	SL320001270	Right panel GT2/3-S
45	SL300970274	Black knob
46	SL310003885	Complete control panel
47	SL320002667	Control board adhesive GHS2-S TS-E
48	SL320002653	Control panel GT2-S TS-E
49	SL300000964	Switch 11x30 - Black
50	SL330000119	Cover protection for switch 11 x 30
51	SL38AF1130N	Switch/button hole black cap 11x30
52	SL300003131	Light main switch 22x30 - Green
53	SL330000096	Cover protection for switch 22 x 30
54	SL38EAE48GL	Ev-coil - gas 230V 50/60 Hz
55	SL3GS24711B	Double solenoid valve assy CEME 230V 50/60Hz
56	SL300970236	Condenser
57	SL3GS36815A	Dryer
58	SL340000769	Condenser group assy
59	SL300950299	Receiver
60	SL37ZH02134	Compressor NE2134GK 230-240/50
61	SL300000233	Fan blade VA ø254/28°
62	SL320001258	Fan motor 220/240V 50/60HZ
63	SL3GS82016A	Spigot closing rod
64	SL3GS24118A	Padlock
65	SL310002791	Electronic thermostat 09
66	SL310002831	Sounds out temper. electr. thermos.
67	SL310002739	Transformer 3VA 220/50
68	SL310002832	Condenser 0'022 mF 275V

ELENCO COMPONENTI

N°	Codice	Descrizione
1	SL320000986	Coperchio Azzurro
2	SL3GS82013A	Tappo blocco rubinetto
3	SL320001401	Molla cilindrica rubinetto
4	SL3GS12040C	Leva rubinetto Azzurra
5	SL310000367	Perno rubinetto
6	SL310001367	Corpo rubinetto
7	SL310001843	Guarnizione Ø15 x Ø2 silicone - rossa
8	SL320001758	Guarnizione rubinetto
9	SL320000054	Tubo scarico condensa
10	SL310003830	Guarnizione ventosa GHZ GB 2M6 sil.traslu.
11	SL3GS12009D	Coclea
12	SL320001269	Pannello sinistro GT2/3-S
13	SL320001044	Pannello anteriore
14	SL340000742	Vaschetta sgocciolio completa Azzurra
14 ₁	SL300970260	Griglia vaschetta GB - Azzurra
14 ₂	SL300970259	Vaschetta scarico GB - Azzurra
15	SL340000540	Vasca 8 Litri
16	SL320000109	Supporto evaporatore PZ 1 Azzurro
17	SL320000110	Supporto evaporatore PZ 2 Azzurro
18	SL3GS36007B	Guarnizione evaporatore/vasca
19	SL320002598	Boccola sostegno albero GHZ-G5 2M6 V/9
20	SL300950585	Evaporatore 5/16 1,25x2 (2,3,RP-3)
21 ₁	SL300951466	Relé compressore NE2134GK 230-240/50
21 ₂	SL300951465	Salvatore compressore NE2134GK 230-240/50
21 ₃	SL300951743	Condensatore compressore NE2134GK 230-240/50
22	SL300951357	Piede H. 40 mm
23	SL300950428	Distanziale pannello posteriore
24	SL300950568	Dado in gabbia "M4"
25	SL310000614	Tappo piano evaporatore Azzurro
26	SL310003751	Cavo alimentazione spina Schuko + PA107
27	SL3GS12036A	Fermo perno regolazione durezza
28	SL3GS12035A	Perno regolazione durezza
29	SL3GS24026D	Coperchio supporto evaporatore Azzurro
30	SL3GS12037B	Boccola perno regolazione durezza
31	SL310001422	Motoriduttore KENTA mono 230V 50Hz
32	SL3GS12031A	Boccola connessione albero

N°	Codice	Descrizione
33	SL300006076	Anello seeger per boccola
34	SL3GS12030A	Albero Trascinamento coclea GHZ
35	SL340000071	Supporto evaporatore completo Azzurro
36	SL300950587	Microinterruttore
37	SL3GS12038A	Molla regolazione durezza
38	SL310000606	Piano evaporatore Azzurro
39	SL340000838	Pannello posteriore
40	SL300970232	Supporto piano evaporatore
41	SL300950801	Protezione angolare sinistra
42	SL320001170	Telaio
43	SL300950802	Protezione angolare destra
44	SL320001270	Pannello destro GT2/3-S
45	SL300970274	Pomello nero
46	SL310003885	Pannello portacomandi assiemato
47	SL320002667	Adesivo portacomandi GSH2-S TS-E
48	SL320002653	Pannello portacomandi GT2-S TS-E
49	SL300000964	Interruttore 11x30 nero
50	SL330000119	Cappuccio di protezione interruttore 11 x 30
51	SL38AF1130N	Tappo nero foro inter/puls. 11X30
52	SL300003131	Inter. generale luminoso 22x30 verde
53	SL330000096	Cappuccio di protezione interruttore 22 x 30
54	SL38EAE48GL	Bobina elettrovalvola gas 230V 50/60HZ
55	SL3GS24711B	Elettrovalvola doppia completa CEME 230V 50/60Hz
56	SL300970236	Condensatore frigo
57	SL3GS36815A	Filtro
58	SL340000769	Gruppo condensatore assiemato
59	SL300950299	Boiler
60	SL37ZH02134	Compressore NE2134GK 230-240/50
61	SL300000233	Ventola D. 254/28°
62	SL320001258	Motoventilatore 220/240V 50/60HZ
63	SL3GS82016A	Asta di chiusura rubinetto
64	SL3GS24118A	Lucchetto
65	SL310002791	Termostato elettronico 09
66	SL310002831	Sonda temp. termost. elettronico
67	SL310002739	Trasformatore 3VA 220/50
68	SL310002832	Condensatore 0'022 mF 275V

DESPIECE - EXPLODED VIEW - ESPLOSO DISEGNO

