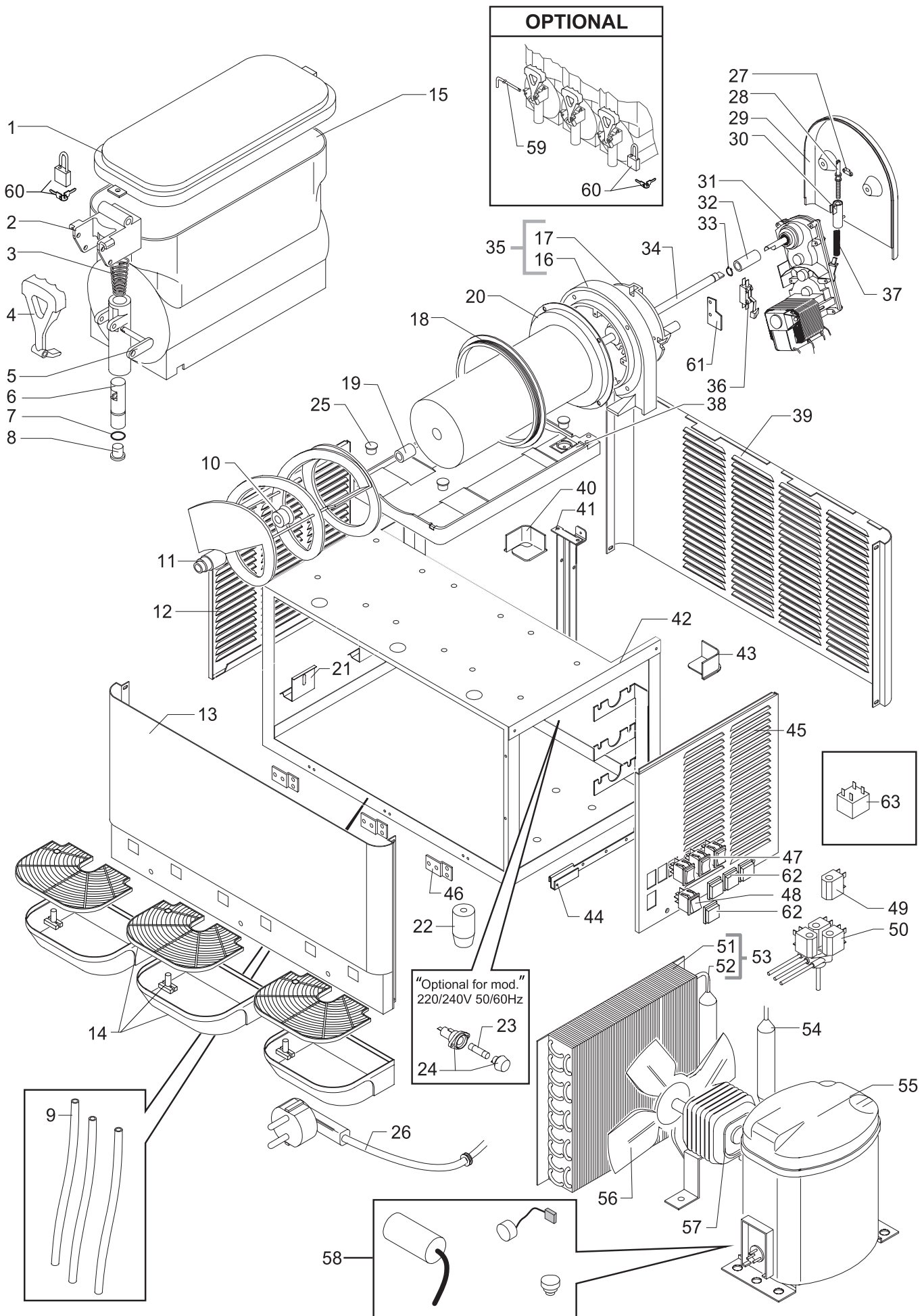


ITEM	CODE	DESCRIZIONE	DESCRIPTION
1	SL320000986	Coperchio azzurro	Cover - Light blue
	SL320000989	Coperchio nero	Cover - Black
	SL320000987	Coperchio bianco	Cover - White
	SL320000988	Coperchio trasparente	Cover - Clear
2	SL3GS82013A	Tappo blocco rubinetto	Spigot tap holder
3	SL3GS82014A	Molla conica rubinetto	Spigot conical spring
4	SL3GS12086B	Leva rubinetto azzurra	Spigot handle - Light blue
	SL3GS12086C	Leva rubinetto nera	Spigot handle - Black
	SL3GS12086A	Leva rubinetto bianca	Spigot handle - White
5	SL3GS82015A	Perno rubinetto	Spigot pin
6	SL3GS12042D	Corpo rubinetto	Spigot plunger
7	SL3GS24044B	O-ring rubinetto	Spigot O-ring
8	SL3GS12044A	Tappo rubinetto "inferiore"	Spigot plug "bottom"
9	SL320000054	Tube scarico condensa	Drain pipe
10	SL300951857	Guarnizione ventosa evaporatore/coclea	Evaporator/auger spiral rubber attachment
11	SL3GS12009D	Coclea	Auger spiral
12	SL320000965	Pannello sinistro	Left panel
13	SL320000983	Pannello anteriore	Front panel
	SL320000982	Pannello anteriore con Logo	Front panel with logo
14	SL340000535	Vaschetta sgocciolio completa azzurra	Drip tray assy - Light blue
	SL340000536	Vaschetta sgocciolio completa nera	Drip tray assy - Black
	SL340000623	Vaschetta sgocciolio completa bianca	Drip tray assy - White
15	SL340000538	Vasca 12 Litri (Per mod. 230/240V 50Hz - 220V 60Hz)	Bowl 12 Litres (For mod. 230/240V 50Hz - 220V 60Hz)
	SL340000539	Vasca 12 Litri (Per mod. 115V 60Hz)	Bowl 12 Litres (For mod. 115V 60Hz)
	SL340000540	Vasca 8 Litri (Per mod. 230/240V 50Hz - 220V 60Hz)	Bowl 8 Litres (For mod. 230/240V 50Hz - 220V 60Hz)
	SL340000542	Vasca 8 Litri (Per mod. 115V 60Hz)	Bowl 8 Litres (For mod. 115V 60Hz)
16	SL320000109	Supporto evaporatore Pz1 azzurro	Evaporator support Pz1 -Light blue
	SL310000320	Supporto evaporatore Pz 1 nero	Evaporator support Pz 1 - Black
	SL300951868	Supporto evaporatore Pz1 bianco	Evaporator support Pz1 - White
17	SL320000110	Supporto evaporatore Pz2 azzurro	Evaporator support Pz2 - Light blue
	SL310000321	Supporto evaporatore Pz 2 nero	Evaporator support Pz 2 - Black
	SL300951869	Supporto evaporatore Pz2 bianco	Evaporator support Pz2 - White
18	SL3GS36007B	Guarnizione evaporatore/vasca	Evaporator/bowl rear gasket
19	SL300951752	Boccola sostegno albero	Shaft supporting bushing
20	SL340000080	Evaporatore	Evaporator
21	SL3GS36054A	Clips aggancio pannello laterale	Clip hooking side panel
22	SL300002388	Piede H. 40 mm	Foot H. 40 mm
	SL3MS4M006B	Piede H. 100 mm	Foot H. 100 mm
23	SL300000671	Fusibile 10x38 16A (Per mod. 230/240V 50Hz - 220V 60Hz)	Fuse 10x38 16A (For mod. 230/240V 50Hz - 220V 60Hz)
	SL38WZG0025	Fusibile 10x38 25A (Per mod. 115V 60Hz)	Fuse 10x38 25A (For mod. 115V 60Hz)
24	SL300002452	Portafusibile	Fuse-holder
25	SL3GS24017B	Tappo piano evaporatore azzurro	Evaporator tray bung - Light blue
	SL3GS24017C	Tappo piano evaporatore nero	Evaporator tray bung - Black
	SL3GS24017A	Tappo piano evaporatore bianco	Evaporator tray bung - White
26	SL3GS24086A	Cavo alimentazione spina Schuko	Power cable with Schuko plug
	SL3GS24085B	Cavo alimentazione spina USA "20A"	Power cable with USA plug "20A"
	SL3GS24080A	Cavo alimentazione spina Inglese	Power cable with UK plug
	SL3GS24098A	Cavo alimentazione spina Danese	Power cable with DK plug
	SL320000135	Cavo alimentazione spina Australia	Power cable with Australian plug
27	SL3GS12036A	Fermo perno regolazione durezza	Hardness control pin catch
28	SL3GS12035A	Perno regolazione durezza	Hardness control pin
29	SL3GS24026D	Coperchio supporto evaporatore azzurro	Evaporator support cover - Light blue
	SL3GS24026E	Coperchio supporto evaporatore nero	Evaporator support cover - Black
	SL3GS24026A	Coperchio supporto evaporatore bianco	Evaporator support cover - White
30	SL3GS12037B	Boccola perno regolazione durezza	Hardness control pin bushing
31	SL3MS4M015C	Motoriduttore 115/230V 60/50Hz	Gear motor 115/230V 60/50Hz
32	SL3GS12031A	Boccola connessione albero	Bushing spindle conn.
33	SL300006076	Anello seeger per boccola	Seeger-ring
34	SL3GS12030A	Albero trascinalimento coclea	Drive shaft for spiral
35	SL340000071	Supporto evaporatore completo azzurro	Evaporator support Assy - Light blue



ITEM	CODE	DESCRIZIONE	DESCRIPTION
	SL340000072	Supporto evaporatore completo nero	Evaporator support assy - Black
	SL340000070	Supporto evaporatore completo bianco	Evaporator support Assy - White
36	SL300950587	Microinterruttore	Limit switch
37	SL3GS12038A	Molla regolazione durezza (1,2)	Torque compression spring (1,2)
38	SL3GS24007B	Piano evaporatore azzurro	Evaporator tray - Light blue
	SL3GS24007C	Piano evaporatore nero	Evaporator tray - Black
	SL3GS24007A	Piano evaporatore bianco	Evaporator tray - White
39	SL320000968	Pannello posteriore	Slotted rear panel
40	SL3GS36107A	Protezione angolare destra	Right corner protection
41	SL320000944	Supporto piano evaporatore	Evaporator tray support
42	SL320000948	Telaio	Chassis
43	SL3GS36108A	Protezione angolare sinistra	Left corner protection
44	SL320000479	Supporto pannello laterale	Side panel support
45	SL320000949	Pannello destro	Right panel
46	SL320000911	Fermo pannello anteriore	Front panel catch
47	SL38AM2230N	Deviatore "I-O-II" 22x30 nero	Switch 22x30 "I-O-II" - Black
48	SL300003131	Interruttore generale luminoso 22x30 verde	Light main switch 22x30 - Green
49	SL38EAE48GL	Bobina elettrovalvola gas 230V 50/60HZ	Ev-coil - gas 230V 50/60 Hz
	SL38EAD18GL	Bobina elettrovalvola gas 115V 60HZ	Ev-coil - gas 115V 60Hz
50	SL3GS36711B	Elettrovalvola gas tripla completa 230V 50/60HZ	Triple solenoid valve assy 230V 50/60Hz
	SL3GS36711D	Elettrovalvola gas tripla completa 115V 60HZ	Triple solenoid valve assy 115V 60Hz
51	SL3GS36010A	Condensatore frigo	Condenser
52	SL3GS36815A	Filtro	Dryer
53	SL3GS36615A	Gruppo condensatore assieme (Per mod. 230V 50Hz)	Condenser group assy (For mod. 230V 50Hz)
	SL3GS36615D	Gruppo condensatore assieme (Per mod. 220V 60Hz - 115V 60Hz)	Condenser group assy (For mod. 220V 60Hz - 115V 60Hz)
54	SL3GS36718A	Boiler (Per mod. 230V 50Hz)	Receiver (For mod. 230V 50Hz)
	SL3GS36718B	Boiler (Per mod. 220V 60Hz - 115V 60Hz)	Receiver (For mod. 220V 60Hz - 115V 60Hz)
55	SL37ZG02168	Compressore 230/240V 50Hz "T2168GK"	Compressor 230/240V 50Hz "T2168GK"
	SL37ZG22155	Compressore 220V 60Hz "T2155GK"	Compressor 220v 60Hz "T2155GK"
	SL37ZG12155	Compressore 115V 60Hz "T2155GK"	Compressor 115v 60Hz "T2155GK"
56	SL300000319	Ventola VA ø254/34° (Per mod. 230V 50Hz)	Fan blade VA ø254/34° (For mod. 230V 50Hz)
	SL300000233	Ventola VA ø254/28° (Per mod. 220V 60Hz)	Fan blade VA ø254/28° (For mod. 220V 60Hz)
	SL37TN25425	Ventola VA ø254/25° (Per mod. 115V 60Hz)	Fan blade VA ø254/25° (For mod. 115V 60Hz)
57	SL37THL0/46	Motoventilatore 230/240V 50/60Hz "25W"	Fan motor 230/240V 50/60Hz "25W"
	SL37TKP1/85	Motoventilatore 115V 60Hz "16W"	Fan motor 115V 60Hz "16W"
58	SL340000560	Assieme parti elettriche compres.230/240V 50Hz "T2168GK"	Kit electric parts compres.230/240V 50Hz "T2168GK"
	SL340000543	Assieme parti elettriche compres.220V 60Hz "T2155GK"	Kit electric parts compres.220V 60Hz "T2155GK"
	SL340000562	Assieme parti elettriche compres.115V 60Hz "T2155GK"	Kit electric parts compres.115V 60Hz "T2155GK"
59	SL3GS83016A	Asta di chiusura rubinetto	Spigot closing rod
60	SL3GS24118A	Lucchetto	Padlock
61	SL320000370	Fermo motoriduttore	Gear motor catch
62	SL330000096	Cappuccio di protezione interruttore 22 x 30	Cover protection for switch 22 x 30
63	SL38CD65311	Rele' 115V - 30A	Relay 115V - 30A