

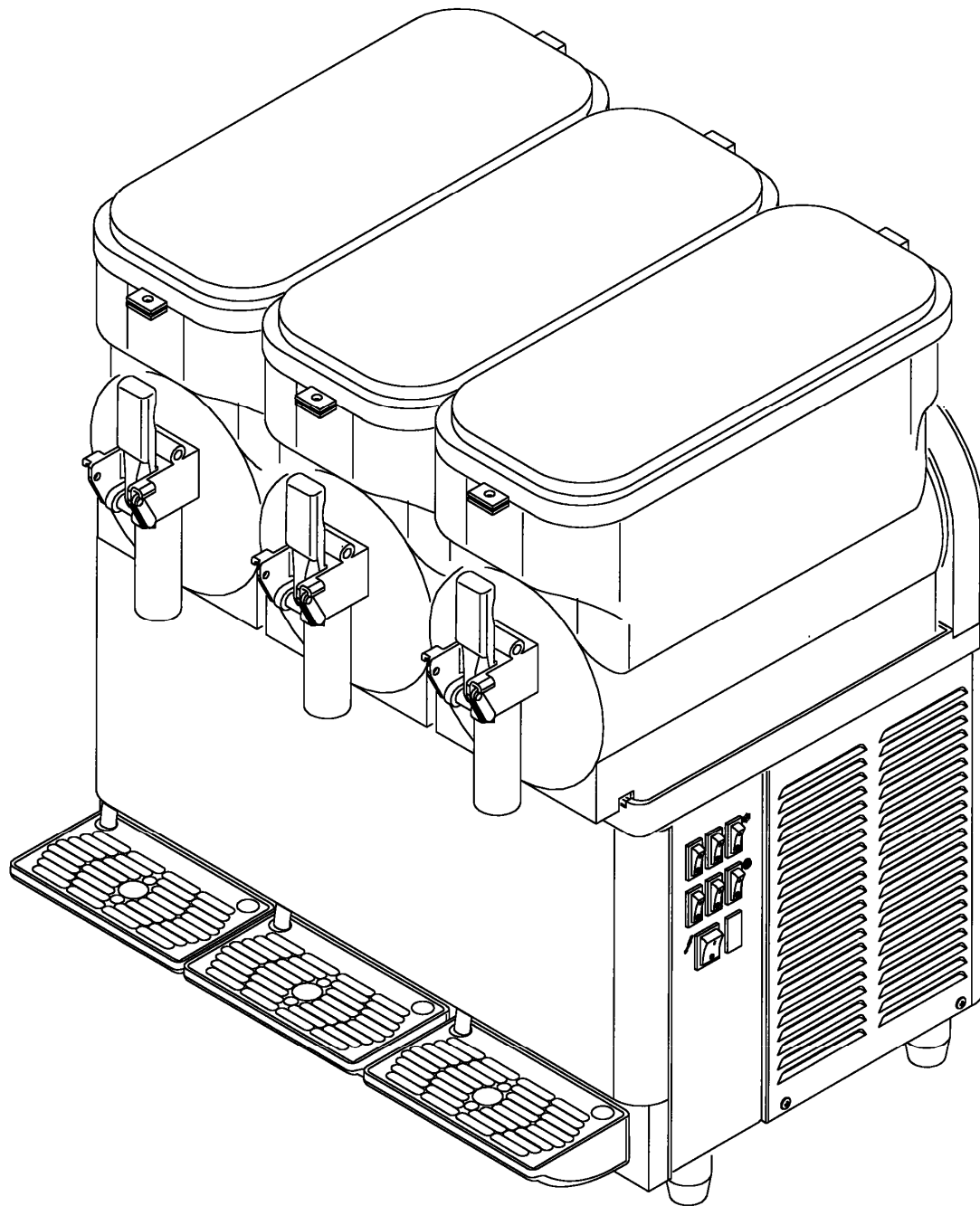
# LISTA DE PIEZAS DE RECAMBIO

GRANIZADORA DE BANCO

## GRANISHERBET 3-S CE AZUL CLARO

Ref.: SL8GS083087

220-240 V. / 50 Hz.

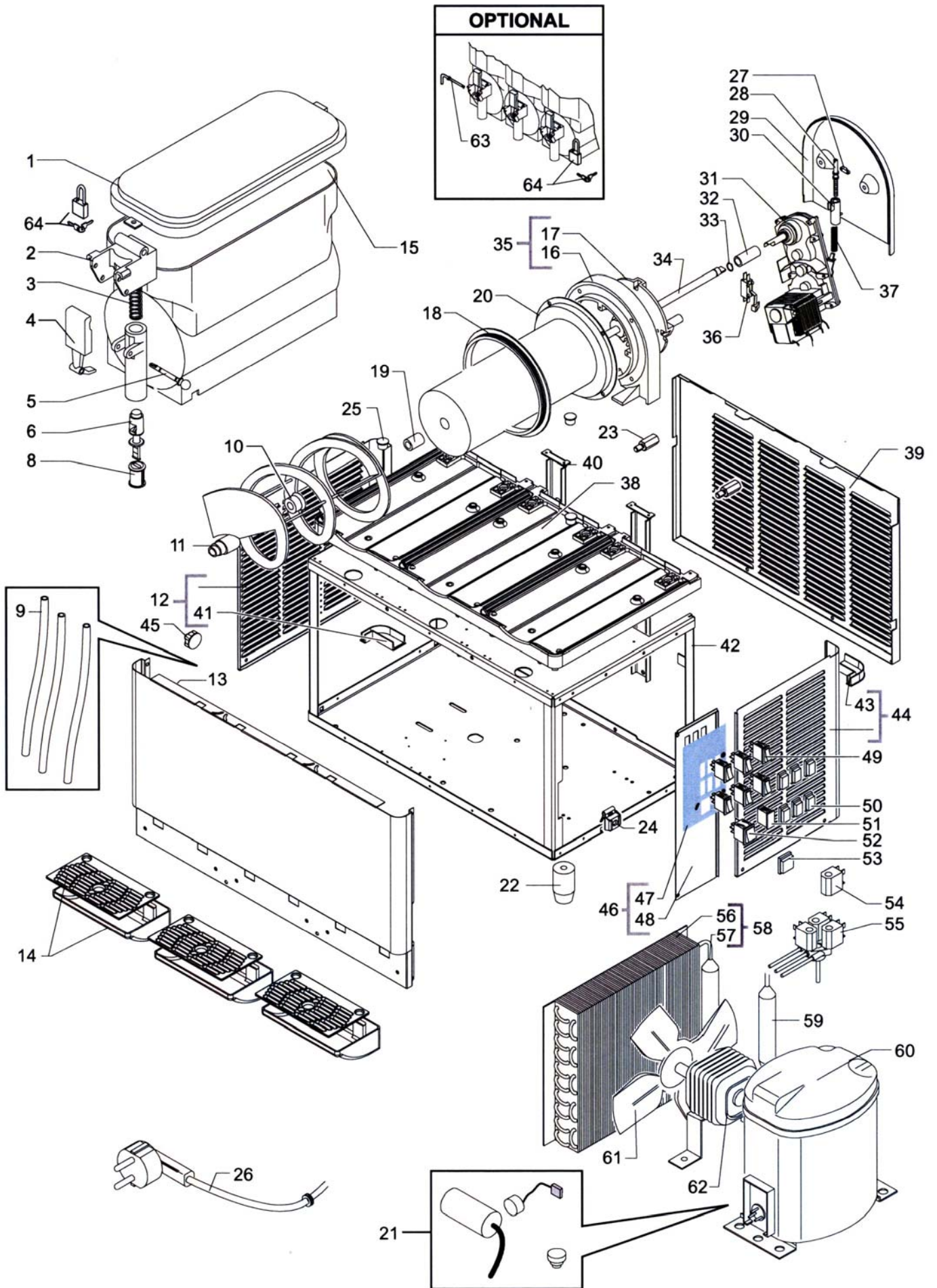


# LISTA DE PIEZAS MAQUINA DE 3 DEPÓSITOS

Nº	Referencia	Denominación
1	SL320000986	Tapa azul claro
2	SL3GS82013A	Tapón bloqueo grifo
3	SL320001401	Resorte cilíndrico
4	SL3GS12040C	Palanca azul claro grifo
5	SL310000367	Pasador grifo TMC V2 - blanco
6	SL310001367	Pistón grifo LBD - blanco
7		
8	SL320001758	Junta especial pistón LBD - blanca
9	SL320000054	Tubo desagüe
10	SL300951857	Junta estanqueidad eje
11	SL3GS12009D	Pala espiral completa
12	SL340000840	Panel lateral izquierdo
13	SL320001283	Panel frontal
14	SL340000742	Cuba receptora de goteo completa azul claro
15	SL340000540	Depósito 8 Litri
16	SL320000109	Soporte evaporador PZ-1 azul claro
17	SL320000110	Soporte evaporador PZ-2 azul claro
18	SL3GS36007B	Junta evaporador/depósito
19	SL300951752	Casquillo evaporador
20	SL300950585	Evaporador
21	-----3	Piezas eléctricas compres. T2168GK 220-240/50
22	SL300951357	Pie nivelador H. 40 mm
23	SL300950428	Distanciador panel trasero
24	SL300950568	Tuerca en jaula "M4"
25	SL310000614	Tapón bandeja superior - azul claro
26	SL320001335	Cable alimentación enchufe Schuko
27	SL3GS12036A	Sujeción sistema regulación
28	SL3GS12035A	Vástago regulación
29	SL3GS24026D	Tapa soporte evaporador - azul claro
30	SL3GS12037B	Guía muelle sistema regulación
31	SL330000338	Motorreductora ELCO mono 230V 50Hz
32	SL3GS12031A	Racord eje transmisión

Nº	Referencia	Denominación
33	SL300006076	Arandela de seguridad
34	SL3GS12030A	Eje transmisión GHZ inox
35	SL340000071	Soporte evaporador completo azul claro
36	SL300950399	Minirruptor completo
37	SL3GS12038A	Muelle regulación duro
38	SL310001273	Bandeja superior - azul claro
39	SL340000843	Panel trasero
40	SL300970232	Soporte evaporador
41	SL300950801	Protección angular izquierda
42	SL320001173	Chasis completo
43	SL300950802	Protección angular derecha
44	SL340000839	Panel lateral derecho
45	SL300970274	Grifo negro
46	SL320001610	Panel porta mandos completo
47	SL320001611	Adhesivo porta mandos
48	SL320001063	Panel porta mandos
49	SL300000964	Interruptor 11x30 negro
50	SL330000119	Protección interruptor 11 x 30
51	SL38AF1130N	Tapón Negro orificio interr./puls. 11x30
52	SL300003131	Interruptor general luminoso 22x30 verde
53	SL330000096	Protección interruptor 22 x 30
54	SL38EAE48GL	Bobina electroválvula gas 230V 50/60 Hz
55	SL3GS36711B	Electroválvula triple completa CEME 230V 50/60 Hz
56	SL300970233	Condensador
57	SL3GS36815A	Filtro
58	SL340000819	Grupo condensador completo
59	SL300950937	Caldera
60	SL37ZG02168	Compresor T2168GK 220-240/50
61	SL300000233	Aspas ventilador VA ø254/28º
62	SL320001258	Motoventilador 220/240V 50/60HZ
63	SL3GS82016A	Eje cierre grifo
64	SL3GS24118A	Candado

# DESPIECE MÁQUINA DE 3 DEPÓSITOS





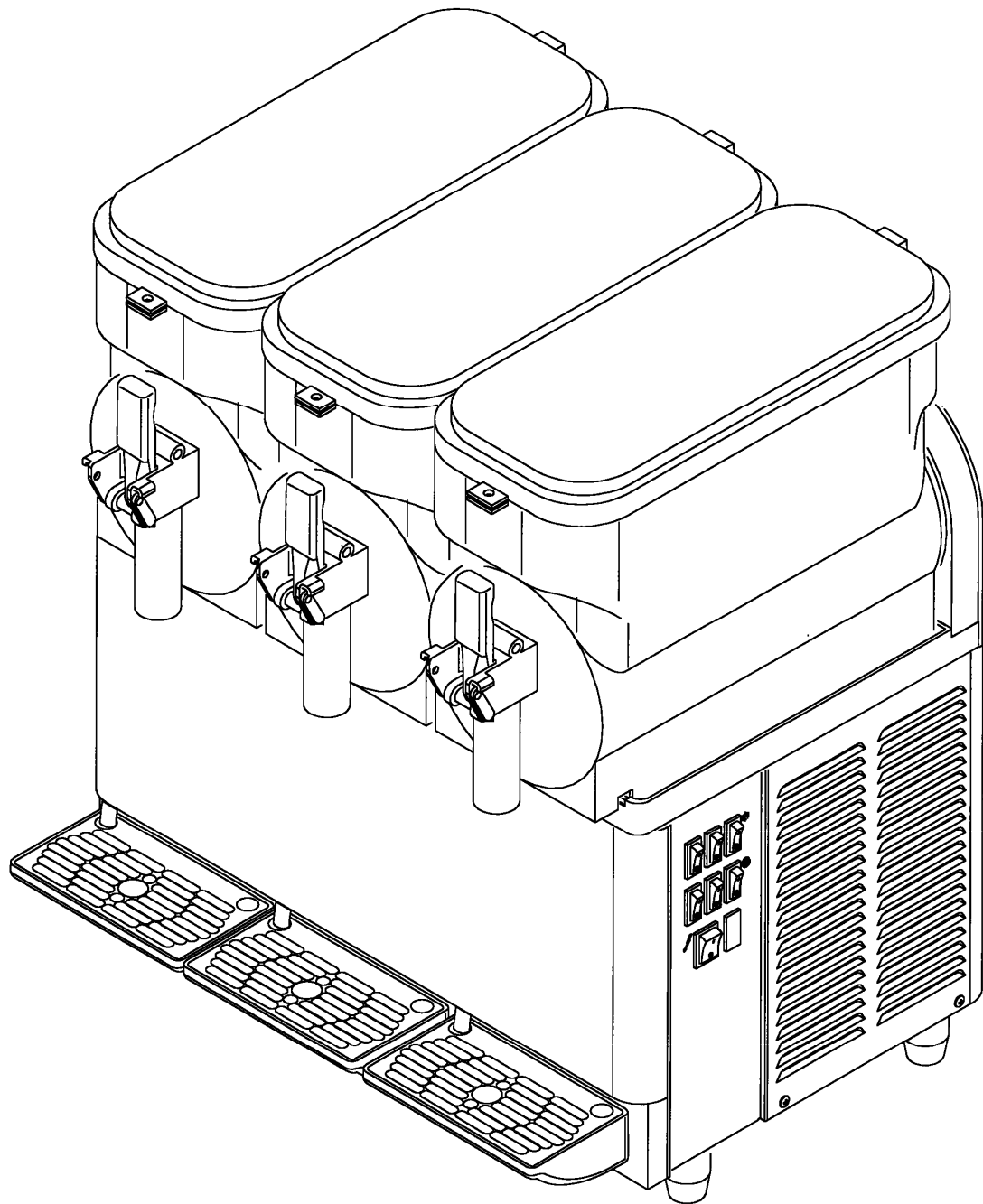
# LIST OF COMPONENTS PARTS

GRANITA MACHINE

## GRANISHERBET 3-S CE LIGHT BLUE

Ref.: SL8GS083087

220-240 V. / 50 Hz.

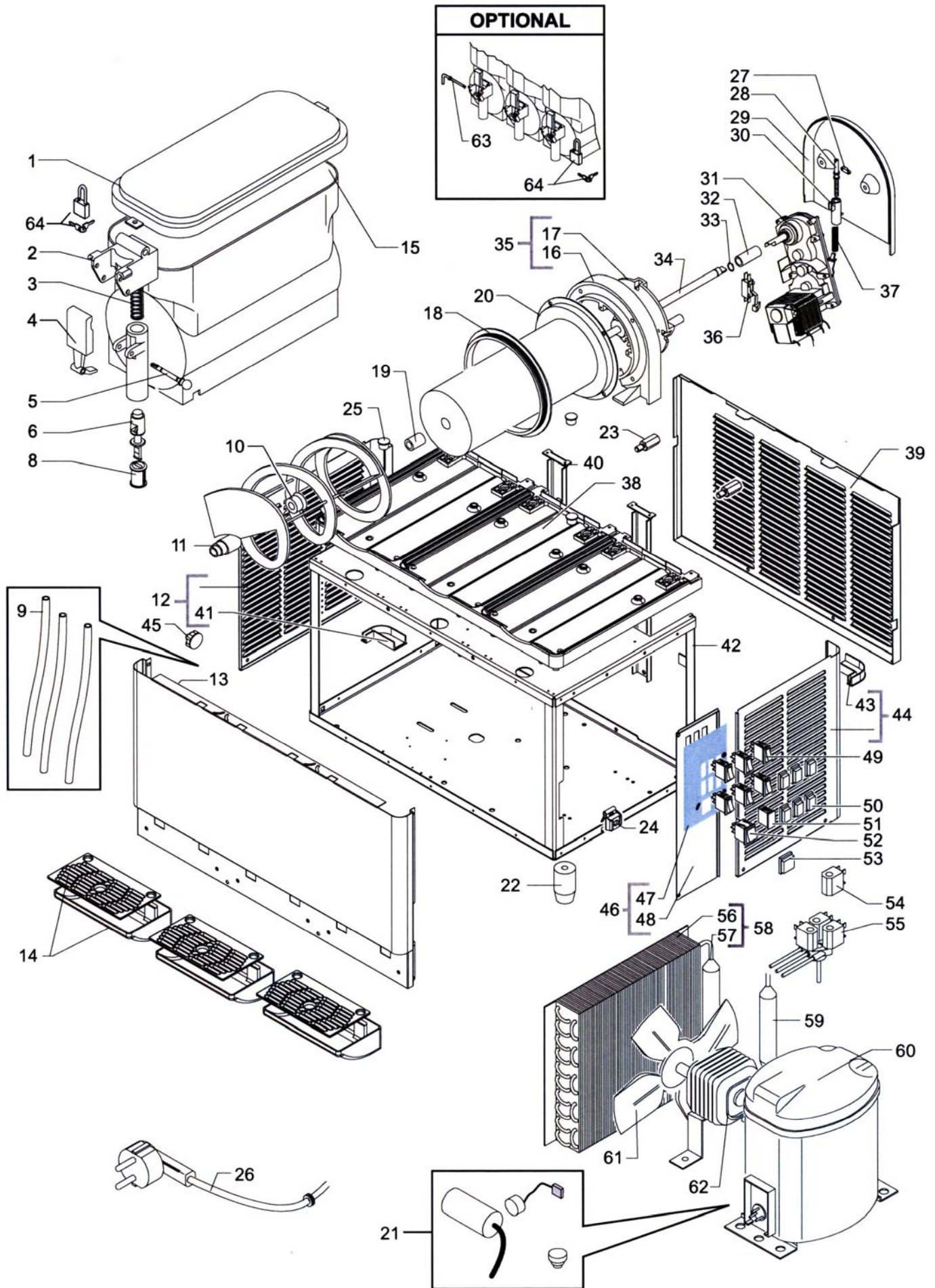


# LIST OF COMPONENTS PARTS 3 TANK MACHINE

N°	Reference	Description
1	SL320000986	Sky blue cover
2	SL3GS82013A	Spigot tap holder
3	SL320001401	Round spring
4	SL3GS12040C	Spigot handle - Sky blue
5	SL310000367	Spigot pin TMC V2 - white
6	SL310001367	Spigot plunger LBD - white
7		
8	SL320001758	Special joint LBD - white
9	SL320000054	Drain pipe
10	SL300951857	Evaporator/auger spiral rubber attachment
11	SL3GS12009D	Auger spiral
12	SL340000840	Left panel
13	SL320001283	Front panel
14	SL340000742	Drip tray assy - Sky blue
15	SL340000540	Bowl 8 Litres
16	SL320000109	Evaporator support Pz 1 - Sky blue
17	SL320000110	Evaporator support Pz 2 - Sky blue
18	SL3GS36007B	Evaporator/bowl rear gasket
19	SL300951752	Shaft supporting bushing
20	SL300950585	Evaporator
21	-----3	Kit electric parts comp. T2168GK 220-240/50
22	SL300951357	Foot H. 40 mm
23	SL300950428	Rear panel spacer
24	SL300950568	Cage nut "M4"
25	SL310000614	Evaporator tray bung - Sky blue
26	SL320001335	Power cable with Schuko plug
27	SL3GS12036A	Hardness control pin catch
28	SL3GS12035A	Hardness control pin
29	SL3GS24026D	Evaporator support cover - Sky blue
30	SL3GS12037B	Hardness control pin bushing
31	SL330000338	Gear motor ELCO mono 230V 50Hz
32	SL3GS12031A	Bushing spindle conn.

N°	Reference	Description
33	SL300006076	Seeger-ring
34	SL3GS12030A	Drive shaft for spiral GHZ
35	SL340000071	Evaporator support assy - Sky blue
36	SL300950399	Limit switch
37	SL3GS12038A	Torque compression spring
38	SL310001273	Evaporator tray - Sky blue
39	SL340000843	Rear panel
40	SL300970232	Evaporator tray support
41	SL300950801	Left corner protection
42	SL320001173	Chassis
43	SL300950802	Right corner protection
44	SL340000839	Right panel
45	SL300970274	Black knob
46	SL320001610	Complete control panel
47	SL320001611	Control board adhesive
48	SL320001063	Control panel
49	SL300000964	Switch 11x30 - Black
50	SL330000119	Cover protection for switch 11 x 30
51	SL38AF1130N	Switch/button hole black cap 11x30
52	SL300003131	Light main switch 22x30 - Green
53	SL330000096	Cover protection for switch 22 x 30
54	SL38EAE48GL	Ev-coil - gas 230V 50/60 Hz
55	SL3GS36711B	Triple solenoid valve assy CEME 230V 50/60 Hz
56	SL300970233	Condenser
57	SL3GS36815A	Dryer
58	SL340000819	Condenser group assy
59	SL300950937	Receiver
60	SL37ZG02168	Compressor T2168GK 220-240/50
61	SL300000233	Fan blade VA ø254/28°
62	SL320001258	Fan motor 220/240V 50/60HZ
63	SL3GS82016A	Spigot closing rod
64	SL3GS24118A	Padlock

# EXPLODED VIEW 3 TANK MACHINE





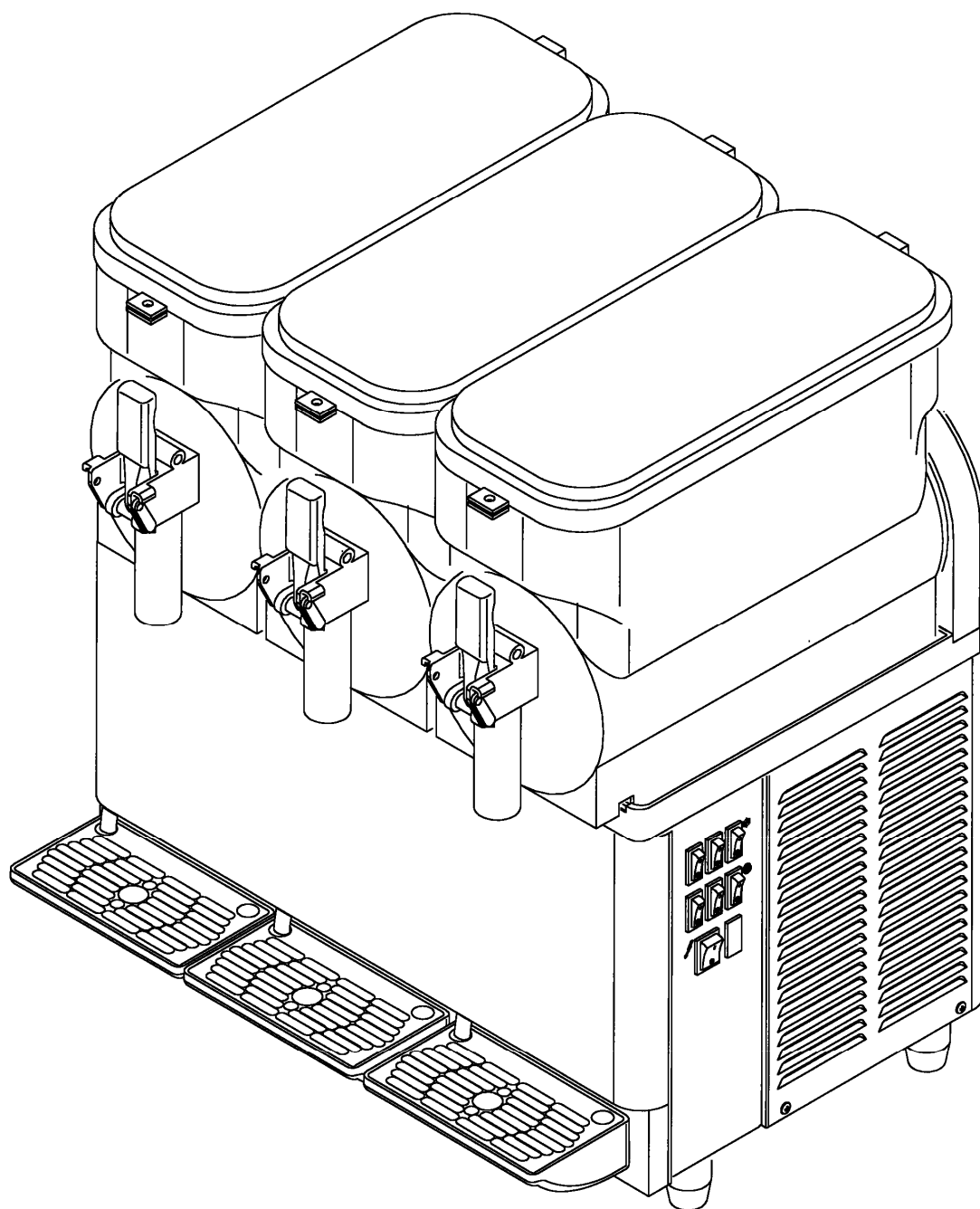


**LISTA RICAMBI**  
**GRANITORE DA BANCO**

**GRANISHERBET 3-S CE AZZURRO CHIARO**

Ref.: SL8GS083087

220-240 V. / 50 Hz.



# ELENCO COMPONENTI GRANITORE 3 VASCHE

N°	Codice	Descrizione
1	SL320000986	Coperchio Azzurro
2	SL3GS82013A	Tappo blocco rubinetto
3	SL320001401	Molla cilindrica rubinetto
4	SL3GS12040C	Leva rubinetto Azzurra
5	SL310000367	Perno rubinetto TMC V2 - bianco
6	SL310001367	Corpo rubinetto LBD - bianco
7		
8	SL320001758	Guarnizione speciale LBD - bianca
9	SL320000054	Tubo scarico condensa
10	SL300951857	Guarnizione ventosa evaporatore/coclea
11	SL3GS12009D	Coclea
12	SL340000840	Pannello sinistro
13	SL320001283	Pannello anteriore
14	SL340000742	Vaschetta sgocciolio completa Azzurro chiaro
15	SL340000540	Vasca 8 Litri
16	SL320000109	Supporto evaporatore Pz 1 Azzurro
17	SL320000110	Supporto evaporatore Pz 2 Azzurro
18	SL3GS36007B	Guarnizione evaporatore/vasca
19	SL300951752	Boccola sostegno albero
20	SL300950585	Evaporatore
21	-----3	As. parti elettr. comp. T2168GK 220-240/50
22	SL300951357	Piede H. 40 mm
23	SL300950428	Distanziale pannello posteriore
24	SL300950568	Dado in gabbia "M4"
25	SL310000614	Tappo piano evaporatore Azzurro
26	SL320001335	Cavo alimentazione spina Schuko
27	SL3GS12036A	Fermo perno regolazione durezza
28	SL3GS12035A	Perno regolazione durezza
29	SL3GS24026D	Coperchio supporto evaporatore Azzurro
30	SL3GS12037B	Boccola perno regolazione durezza
31	SL330000338	Motoriduttore ELCO mono 230V 50Hz
32	SL3GS12031A	Boccola connessione albero

N°	Codice	Descrizione
33	SL300006076	Anello seeger per boccola
34	SL3GS12030A	Albero Trascinamento coclea GHZ
35	SL340000071	Supporto evaporatore completo Azzurro
36	SL300950399	Microinterruttore
37	SL3GS12038A	Molla regolazione durezza
38	SL310001273	Piano evaporatore Azzurro
39	SL340000843	Pannello posteriore
40	SL300970232	Supporto piano evaporatore
41	SL300950801	Protezione angolare sinistra
42	SL320001173	Telaio
43	SL300950802	Protezione angolare destra
44	SL340000839	Pannello destro
45	SL300970274	Pomello nero
46	SL320001610	Pannello porta comandi assiemato
47	SL320001611	Adesivo porta comandi
48	SL320001063	Pannello porta comandi
49	SL300000964	Interruttore 11x30 nero
50	SL330000119	Cappuccio di protezione interruttore 11 x 30
51	SL38AF1130N	Tappo nero foro inter/puls. 11X30
52	SL300003131	Inter. generale luminoso 22x30 verde
53	SL330000096	Cappuccio di protezione interruttore 22 x 30
54	SL38EAE48GL	Bobina elettrovalvola gas 230V 50/60HZ
55	SL3GS36711B	Elettrovalvola tripla completa CEME 230V 50/60 Hz
56	SL300970233	Condensatore frigo
57	SL3GS36815A	Filtro
58	SL340000819	Gruppo condensatore assiemato
59	SL300950937	Boiler
60	SL37ZG02168	Compressore T2168GK 220-240/50
61	SL300000233	Ventola D. 254/28°
62	SL320001258	Motoventilatore 220/240V 50/60HZ
63	SL3GS82016A	Asta di chiusura rubinetto
64	SL3GS24118A	Lucchetto



