

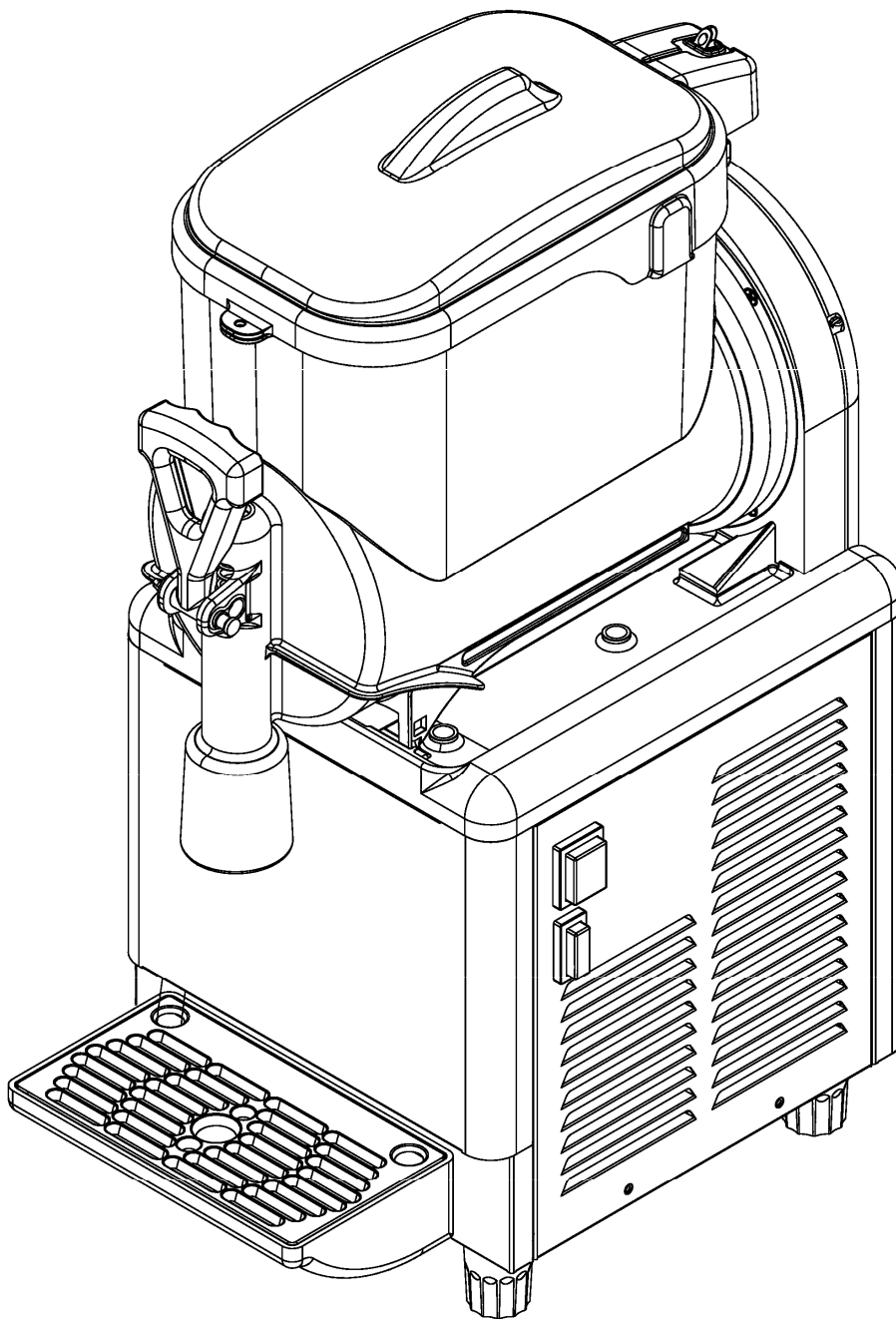
LISTA DE PIEZAS DE RECAMBIO

GRANIZADORA DE BANCO

GRANISMART 1 CE NEGRA

Ref.: SL8GS051004

220-240 V. / 50 Hz.

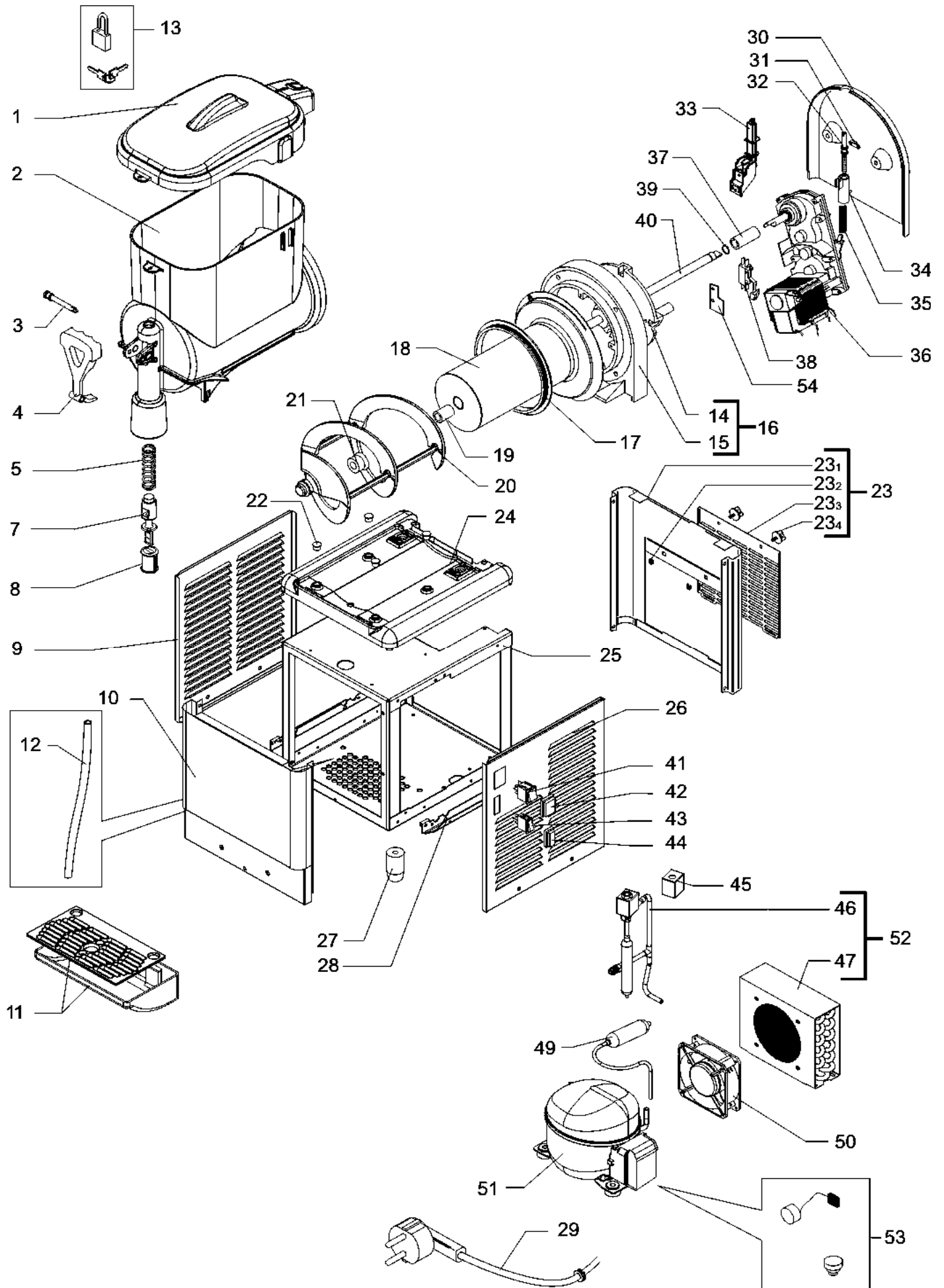


LISTA DE PIEZAS MAQUINA DE 1 DEPÓSITOS

Nº	Referencia	Denominación
1	SL320000874	Tapa - negra
2	SL340000541	Depósito GS 5 L. UL + adhesivo mov.
3	SL3GS12043D	Pasador leva grifo EURO - negro
4	SL3GS12086C	Leva grifo HOSTAF.C2521 TY01 - negra
5	SL320001401	Muelle grifo 8 VTLS ø1.6
6		
7	SL310001367	Pistón grifo LD - blanco
8	SL320001758	Junta especial pistón LD - blanca
9	SL320000840	Panel lateral izquierdo
10	SL320000882	Panel frontal G5.1 GRANISMART 1
11	SL340000502	Bandeja goteo + rejilla GB-10 - negra
12	SL320000054	Tubo desagüe
13	SL3GS24118A	Candado
14	SL320000869	Soporte evaporador PZ-2 - negro
15	SL310000320	Soporte evaporador GHZ PZ-1 - negra
16	SL340000477	Soporte evap. compl. GRANISMART - negro
17	SL300500133	Junta depósito CH-110 V/96
18	SL340000462	Evaporador completo GSM 1
19	SL300951752	Casquillo evaporador GHZ V/2001
20	SL320000795	Pala espiral
21	SL300951857	Junta estanqueidad eje GHZ V/02
22	SL3GS24017C	Tapón bandeja superior - negro
23	SL310002877	Panel trasero completo GS 1 c/puerta
23 ₁	SL320002419	Panel trasero GS 1 v/puerta
23 ₂	SL320002420	Puerta panel trasero GS 1
23 ₃	SL310000171	Tuerca enjaulada M4 03-09
23 ₄	SL300970274	Tornillo grifo GB-10 negro
24	SL320000870	Bandeja superior negra
25	SL320000824	Chasis

Nº	Referencia	Denominación
26	SL320000837	Panel lateral derecho
27	SL300951357	Pie nivelador GHZ-14 V/99
28	SL320000812	Soporte panel lateral
29	SL320000396	Manguera eléctrica con clavija schuko
30	SL320000871	Tapa soporte evaporador - negra
31	SL3GS12036A	Sujeción sistema regulación GHZ
32	SL3GS12035A	Vástago regulación
33	SL320000872	Soporte sensor - negro
34	SL3GS12037B	Guía muelle sistema regulación GHZ
35	SL300950558	Muelle regulación
36	SL330000338	Motorreductora ELCO mono 220/50
37	SL3GS12031A	Racord eje transmisión
38	SL300950587	Minirruptor completo GHZ V/99
39	SL300006076	Arandela de seguridad
40	SL320000771	Eje transmisión
41	SL300003131	Interruptor general Verde I/O Lum.
42	SL330000096	Protector interruptor 22x30
43	SL300000964	Interruptor negro 11x30
44	SL330000119	Protector interruptor 11x30
45	SL38EAE48GL	Bobina electroválvula V/99 220/50
46	SL320000828	Electroválvula completa 230V - 50/60Hz
47	SL330000168	Condensador GS 5x1 D77815
48		
49	SL320000833	Filtro receptor gas
50	SL330000173	Motoventilador 127x127x38 230/50
51	SL330000239	Compresor EMT43HLP 220-240/50
52	SL340000197	Grupo condensador completo 230V 50/60Hz
53	-----1	Kit partes elect. compr. EMT43HLP 220-240/50 IMQ
54	SL320000370	Protector micro

DESPIECE MÁQUINA DE 1 DEPÓSITO



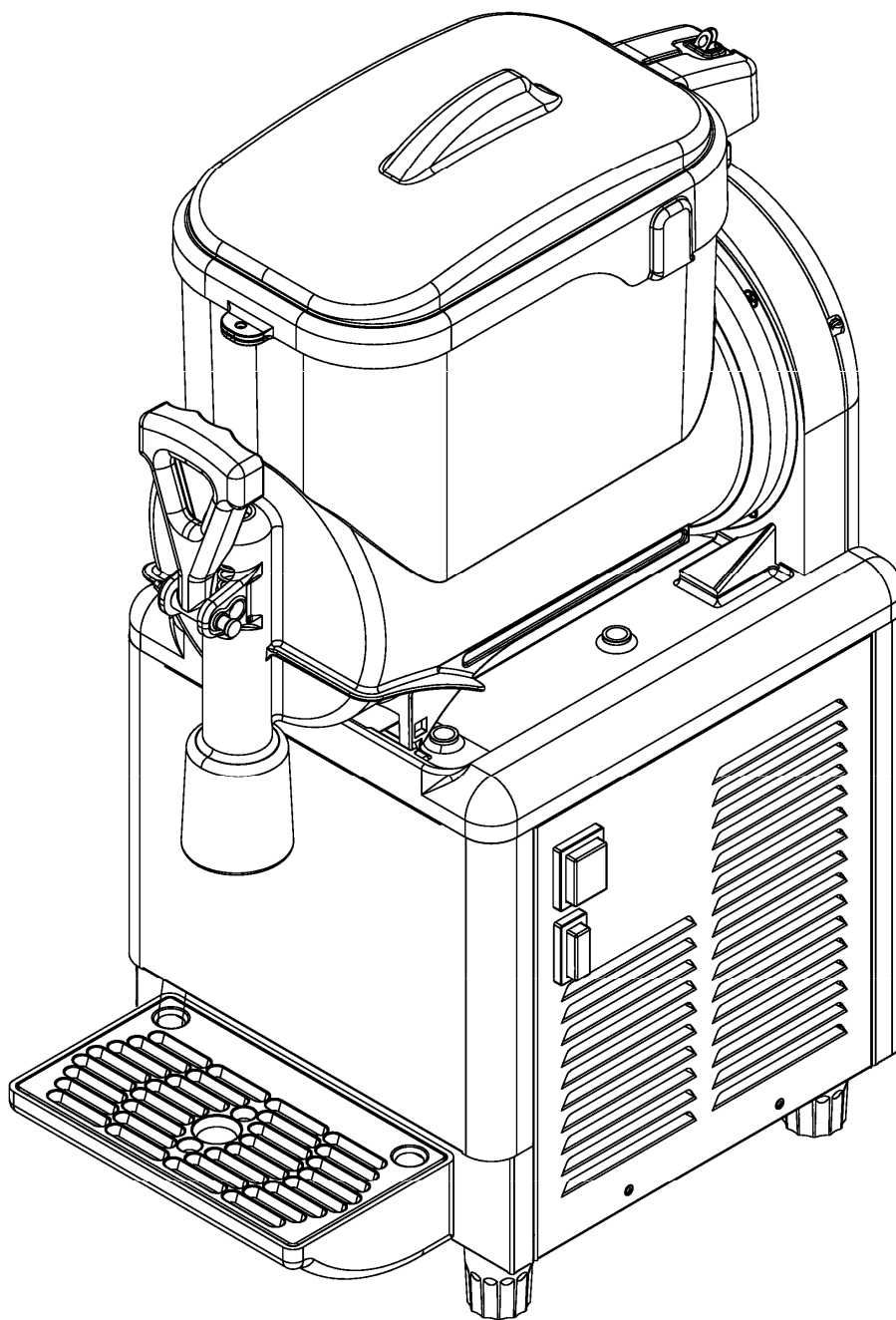
LIST OF COMPONENTS PARTS

GRANITA MACHINE

GRANISMART 1 CE BLACK

Ref.: SL8GS051004

220-240 V. / 50 Hz.

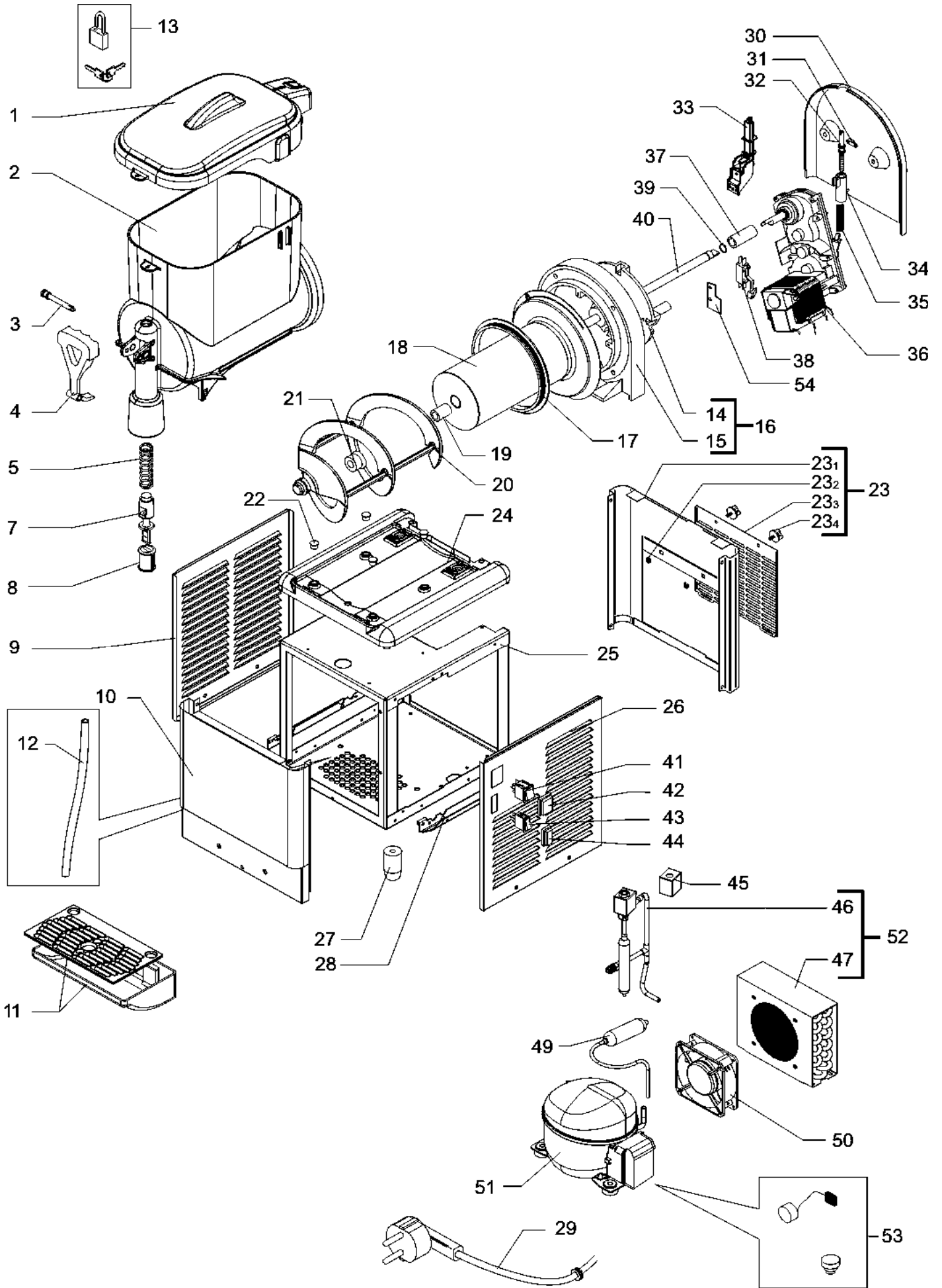


LIST OF COMPONENTS PARTS 1 TANK MACHINE

N°	Reference	Description
1	SL320000874	Cover - Black
2	SL340000541	Bowl 5 litres
3	SL3GS12043D	Spigot pin - Black
4	SL3GS12086C	Spigot handle - Black
5	SL320001401	Spigot spring
6		
7	SL310001367	Spigot plunger
8	SL320001758	Gasket spigot
9	SL320000840	Left panel
10	SL320000882	Front panel
11	SL340000502	Drip tray assy - Black
12	SL320000054	Drain pipe
13	SL3GS24118A	Padlock
14	SL320000869	Evaporator support pz. 2 - Black
15	SL310000320	Evaporator support pz. 1 - Black
16	SL340000477	Evaporator support assy - Black
17	SL300500133	Evap./bowl rear gasket
18	SL340000462	Evaporator
19	SL300951752	Shaft supporting bushing
20	SL320000795	Auger spiral
21	SL300951857	Evap./auger spiral rubber attachment
22	SL3GS24017C	Evaporator tray bung - Black
23	SL310002877	Slotted rear panel GS 1 w/door
23 ₁	SL320002419	Rear panel GS 1 v/door
23 ₂	SL320002420	Rear panel door GS 1
23 ₃	SL310000171	Special nut M4 03-09
23 ₄	SL300970274	Tap screw GB-10 - black
24	SL320000870	Evaporator tray - Black
25	SL320000824	Chassis

N°	Reference	Description
26	SL320000837	Right panel
27	SL300951357	Foot GHZ-14 V/99
28	SL320000812	Side panel support
29	SL320000396	Power cable with Shuko plug
30	SL320000871	Evaporator support cover - Black
31	SL3GS12036A	Hardness control pin catch
32	SL3GS12035A	Hardness control pin
33	SL320000872	Sensor support - Black
34	SL3GS12037B	Hardness control pin bushing
35	SL300950558	Torque compression spring (1.1 Blan)
36	SL330000338	Gear motor ELCO mono 230/50
37	SL3GS12031A	Bushing spindle conn.
38	SL300950587	Limit switch
39	SL300006076	Seeger-ring
40	SL320000771	Drive shaft for spiral
41	SL300003131	Light main switch - 22x30 - Green
42	SL330000096	Cover protection for switch 22x30
43	SL300000964	Switch 11x30 - Black
44	SL330000119	Cover protection for switch 11x30
45	SL38EAE48GL	Ev-coil - gas 230/50-60
46	SL320000828	Dryer + Ev - gas 230V - 50/60Hz
47	SL330000168	Condenser
48		
49	SL320000833	Receiver
50	SL330000173	Fan motor "127 x 127 x 38" 230V - 50/60Hz
51	SL330000239	Compressor EMT43HLP 220-240/50 IMQ
52	SL340000197	Condenser group assy 230V 50/60Hz
53	-----1	Kit electric parts compr. EMT43HLP 220-240/50 IMQ
54	SL320000370	Limit switch protector

EXPLODED VIEW 1 TANK MACHINE

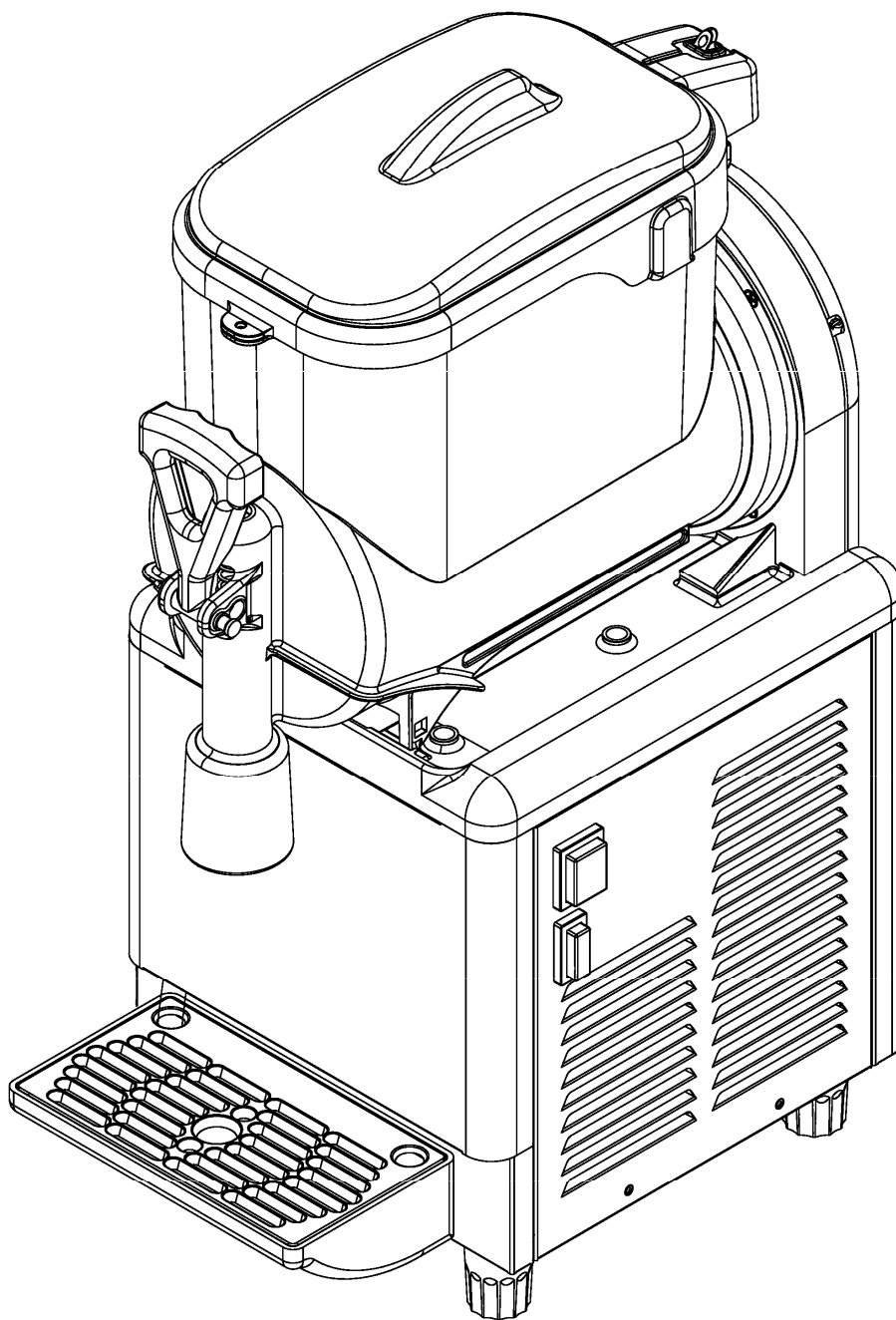


LISTA RICAMBI
GRANITORE DA BANCO

GRANISMART 1 CE NERA

Ref.: SL8GS051004

220-240 V. / 50 Hz.



ELENCO COMPONENTI GRANITORE 1 VASCA

N°	Codice	Descrizione
1	SL320000874	Coperchio Nero
2	SL340000541	Vasca 5 litri
3	SL3GS12043D	Perno rubinetto Nero
4	SL3GS12086C	Leva rubinetto Nera
5	SL320001401	Molla rubinetto
6		
7	SL310001367	Corpo rubinetto
8	SL320001758	Guarnizione rubinetto
9	SL320000840	Pannello sinistro
10	SL320000882	Pannello anteriore
11	SL340000502	Vaschetta sgocciolio completa Nera
12	SL320000054	Tube scarico condensa
13	SL3GS24118A	Lucchetto
14	SL320000869	Supporto evaporatore. pz. 2 Nero
15	SL310000320	Supporto evaporatore. pz. 1 Nero
16	SL340000477	Supporto evaporatore completo Nero
17	SL300500133	Guarnizione evaporatore/vasca
18	SL340000462	Evaporatore
19	SL300951752	Boccola sostegno albero
20	SL320000795	Coclea
21	SL300951857	Guarnizione ventosa evaporatore/coclea
22	SL3GS24017C	Tappo piano evaporatore Nero
23	SL310002877	Pannello posteriore GS 1 c/portello
23 ₁	SL320002419	Pannello posteriore GS 1 v/portello
23 ₂	SL320002420	Portello pannello posteriore GS 1
23 ₃	SL310000171	Dado speciale M4 03-09
23 ₄	SL300970274	Vite GB-10 - nero
24	SL320000870	Piano evaporatore Nero
25	SL320000824	Telaio

N°	Codice	Descrizione
26	SL320000837	Pannello destro
27	SL300951357	Piede GHZ-14 V/99
28	SL320000812	Supporto pannello laterale
29	SL320000396	Cavo alimentazione spina Schuko
30	SL320000871	Coperchio supporto evaporatore Nero
31	SL3GS12036A	Fermo perno regolazione durezza
32	SL3GS12035A	Perno regolazione durezza
33	SL320000872	Supporto sensore Nero
34	SL3GS12037B	Boccola perno regolazione durezza
35	SL300950558	Molla regolazione durezza (1,1 Blan)
36	SL330000338	Motoriduttore ELCO mono 230/50
37	SL3GS12031A	Boccola connessione albero
38	SL300950587	Microinterruttore
39	SL300006076	Anello seeger per boccola
40	SL320000771	Albero Trascinamento coclea
41	SL300003131	Interruttore generale luminoso 22x30 verde
42	SL330000096	Cappuccio protezione Interruttore 22x30
43	SL300000964	Interruttore 11x30 nero
44	SL330000119	Cappuccio protezione Interruttore 11x30
45	SL38EAE48GL	Bobina elettrovalvola gas 230/50-60
46	SL320000828	Filtro + Elettrovalvola gas 230V - 50/60Hz
47	SL330000168	Condensatore frigo
48		
49	SL320000833	Boiler
50	SL330000173	Motoventilatore "127 x 127 x 38" 230V - 50/60Hz
51	SL330000239	Compressore EMT43HLP 220-240/50 IMQ
52	SL340000197	Gruppo condensatore assiemato 230V 50/60Hz
53	-----1	As. parti elettriche compr. EMT43HLP 220-240/50 IMQ
54	SL320000370	Protezione microinterruttore

ESPLOSO DISEGNO GRANITORE 1 VASCA

