

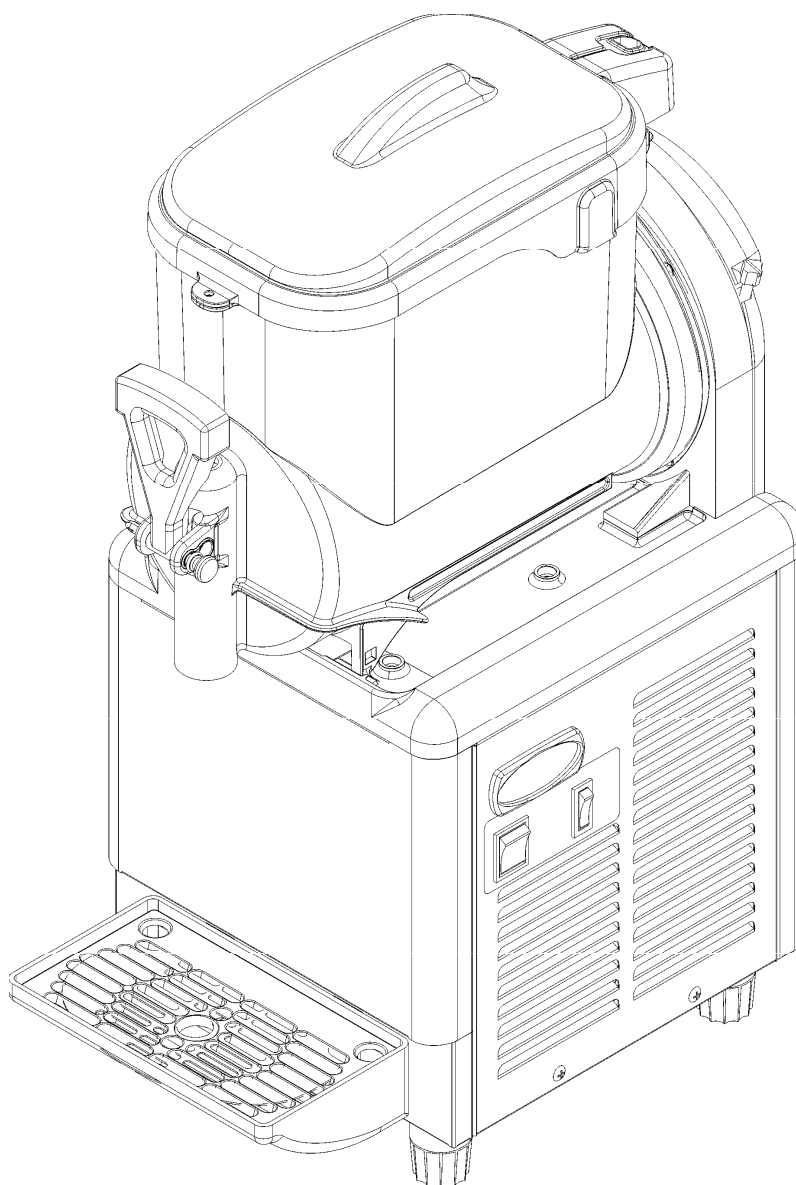
LISTA DE PIEZAS DE RECAMBIO  
LIST OF COMPONENTS PARTS  
LISTA RICAMBI

GRANIZADORA DE BANCO  
GRANITA MACHINE  
GRANITORE DA BANCO

# GRANISMART 1 TS-E CE BLACK

Ref.: SL8GS051183

230-240 V. / 50 Hz.



## LISTA DE PIEZAS

| Nº              | Referencia   | Denominación                                  |
|-----------------|--------------|---|
| 1               | SL320000874  | Tapa - negra                                  |
| 2               | SL340000541  | Depósito GS 5 L. UL + adhesivo mov.           |
| 3               | SL3GS12043D  | Pasador leva grifo EURO - negro               |
| 4               | SL3GS12086C  | Leva grifo HOSTAF.C2521 TY01 - negra          |
| 5               | SL320001401  | Muelle grifo 8 VTLS ø1.6                      |
| 6               | SL310001843  | Junta tórica Ø15 x Ø2 silicona - roja         |
| 7               | SL310001367  | Pistón grifo LD - blanco                      |
| 8               | SL320001758  | Junta especial pistón LD - blanca             |
| 9               | SL320000840  | Panel lateral izquierdo                       |
| 10              | SL320000882  | Panel frontal                                 |
| 11              | SL340000502  | Bandeja goteo + rejilla GB-10 - negra         |
| 11 <sub>1</sub> | SL300970263  | Rejilla goteo GB - negra                      |
| 11 <sub>2</sub> | SL300970262  | Bandeja goteo GB - negra                      |
| 12              | SL320000054  | Tubo desagüe                                  |
| 13              | SL3GS24118A  | Candado                                       |
| 14              | SL310000321  | Soporte evaporador PZ-2 - negro               |
| 15              | SL310000320  | Soporte evaporador GHZ PZ-1 - negra           |
| 16              | SL340000477  | Soporte evap. compl. GRANISMART - negro       |
| 17              | SL300500133  | Junta depósito CH-110 V/96                    |
| 18              | SL340000462  | Evaporador completo GSM 1                     |
| 19              | SL320002598  | Casquillo evaporador GHZ-G5 2M6 V/9           |
| 20              | SL320000795  | Pala espiral                                  |
| 21              | SL3100003830 | Junta estanqueidad eje GHZ-GB 2M6 sil.traslu. |
| 22              | SL300951627  | Tapón bandeja superior - negro                |
| 23              | SL310002877  | Panel tras. completo GS.1 c/puerta            |
| 23 <sub>1</sub> | SL320002419  | Panel trasero GS.1 v/puerta                   |
| 23 <sub>2</sub> | SL310000171  | Tuerca enjaulada M4 03-09                     |
| 23 <sub>3</sub> | SL320002420  | Puerta panel trasero GS.1                     |
| 23 <sub>4</sub> | SL300970274  | Tornillo grifo GB-10 negro                    |
| 24              | SL320000870  | Bandeja superior negra                        |
| 25              | SL320000824  | Chasis  |
| 26              | SL320002416  | Panel derecho GSM 1/TS-E                      |
| 27              | SL300951357  | Pie nivelador GHZ-14 V/99                     |
| 28              | SL320000812  | Soporte panel lateral                         |

| Nº | Referencia  | Denominación   |
|----|-------------|--|
| 29 | SL310003935 | Manguera TS-E 1 3x1,5 L.2M. Schuko+PA107             |
| 30 | SL310004041 | Conj.tapa sop.ev. negro GSM V/SENC                   |
| 31 | SL3GS12036A | Sujeción sistema regulación GHZ                      |
| 32 | SL3GS12035A | Vástago regulación                                   |
| 33 | SL320000872 | Soporte sensor - negro                               |
| 34 | SL3GS12037B | Guía muelle sistema regulación GHZ                   |
| 35 | SL300950558 | Muelle regulación blando                             |
| 36 | SL310001422 | Motorreductora KENTA mono 220/50                     |
| 37 | SL310002029 | Racord eje transmisión TMC 06                        |
| 38 | SL300950587 | Minirruptor completo GHZ V/99                        |
| 39 | SL310002027 | Pasador inox DIN 1481 Ø4x18                          |
| 40 | SL320002575 | Eje transmisión GSM G5 TMC 06                        |
| 41 | SL300003131 | Interruptor general Verde I/O Lum.                   |
| 42 | SL330000096 | Protector interruptor 22x30                          |
| 43 | SL300951089 | Conmutador UL - negro                                |
| 44 | SL330000119 | Protector interruptor 11x30                          |
| 45 | SL38EAE48GL | Bobina electroválvula V/99 220/50                    |
| 46 | SL310000429 | Electroválvula simple completa CEME 220/50           |
| 47 | SL330000168 | Condensador GS 5x1 D77815                            |
| 48 | SL310002739 | Transformador 230/12 3VA                             |
| 49 | SL320000833 | Filtro receptor gas                                  |
| 50 | SL330000173 | Motoventilador 127x127x38 230/50                     |
| 51 | SL330000239 | Compresor EMT43HLP 220-240/50 IMQ                    |
| 52 | SL340000197 | Condensador + Filtro GSM1                            |
| 53 | -----1      | Kit partes eléctricas compr. EMT43HLP 220-240/50 IMQ |
| 54 | SL320000370 | Protección micro                                     |
| 55 | SL310002831 | Sonda temp. termost. electrónico                     |
| 56 | SL310002718 | Termostato electrónico + temp. 09                    |
| 57 | SL320002414 | Casquillo silenblock compr. GS 1                     |
| 58 | SL330000145 | Fusible completo 5x20 (retardado)                    |
| 59 | SL310001655 | Muelle sujeción sonda                                |
| 60 | SL320000831 | Filtro 10 GR F.4,9-2,5XH9 Ø16x110                    |
| 61 | SL310002832 | Condensador 0'022 mF 275V                            |

## LIST OF COMPONENTS PARTS

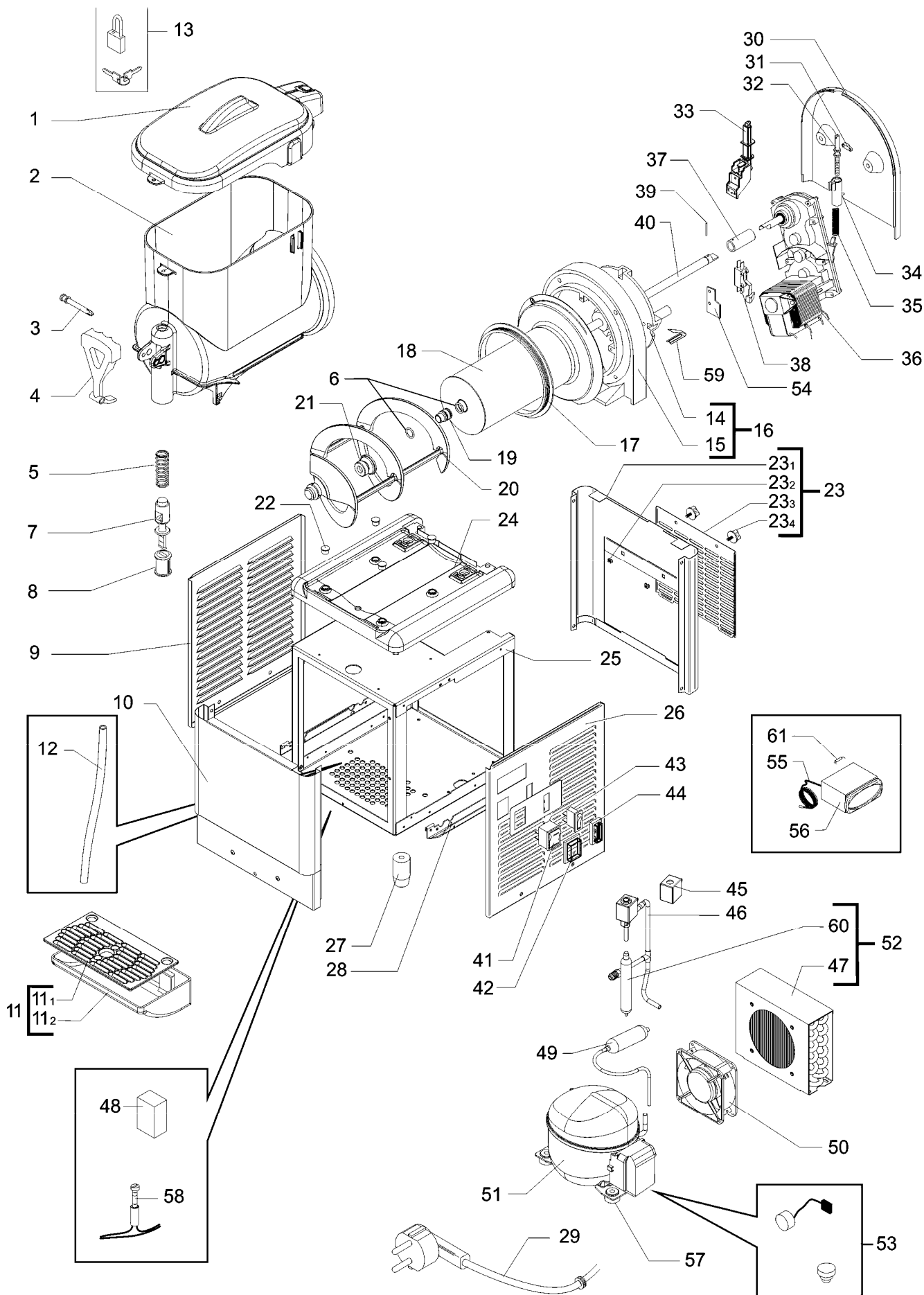
| N°              | Reference   | Description                                    |
|-----------------|-------------|--|
| 1               | SL320000874 | Cover - Black                                  |
| 2               | SL340000541 | Bowl 5 litres                                  |
| 3               | SL3GS12043D | Spigot pin - Black                             |
| 4               | SL3GS12086C | Spigot handle - Black                          |
| 5               | SL320001401 | Spigot spring                                  |
| 6               | SL310001843 | O-ring Ø15 x Ø2 silicone - Red                 |
| 7               | SL310001367 | Spigot plunger                                 |
| 8               | SL320001758 | Gasket spigot                                  |
| 9               | SL320000840 | Left panel                                     |
| 10              | SL320000882 | Front panel                                    |
| 11              | SL340000502 | Drip tray assy - Black                         |
| 11 <sub>1</sub> | SL300970263 | Screen for leaking GB - black                  |
| 11 <sub>2</sub> | SL300970262 | Tray for leaking GB - black                    |
| 12              | SL320000054 | Drain pipe                                     |
| 13              | SL3GS24118A | Padlock  |
| 14              | SL310000321 | Evaporator support pz. 2 - Black               |
| 15              | SL310000320 | Evaporator support pz. 1 - Black               |
| 16              | SL340000477 | Evaporator support assy - Black                |
| 17              | SL300500133 | Evap./bowl rear gasket                         |
| 18              | SL340000462 | Evaporator                                     |
| 19              | SL320002598 | Shaft supporting bushing GHZ-G5 2M6 V/9        |
| 20              | SL320000795 | Auger spiral                                   |
| 21              | SL310003830 | Watertight shaft joint GHZ GB 2M6 sil.translu. |
| 22              | SL300951627 | Evaporator tray bung - Black                   |
| 23              | SL310002877 | Full rear panel GS.1 w/door                    |
| 23 <sub>1</sub> | SL320002419 | Rear panel GS.1 v/door                         |
| 23 <sub>2</sub> | SL310000171 | Special nut M4 03-09                           |
| 23 <sub>3</sub> | SL320002420 | Rear panel door GS.1                           |
| 23 <sub>4</sub> | SL300970274 | Tap screw GB-10 - black                        |
| 24              | SL320000870 | Evaporator tray - Black                        |
| 25              | SL320000824 | Chassis  |
| 26              | SL320002416 | Right panel GSM 1/TS-E                         |
| 27              | SL300951357 | Rubber foot GHZ-14 V/99                        |
| 28              | SL320000812 | Side panel support                             |

| N° | Reference   | Description                                       |
|----|-------------|---|
| 29 | SL310003935 | Power cable TS-E 1 3x1,5 L.2M. Schuko+PA107       |
| 30 | SL310004041 | Full evap.sup.cover black GSM V/SENC              |
| 31 | SL3GS12036A | Hardness control pin catch                        |
| 32 | SL3GS12035A | Hardness control pin                              |
| 33 | SL320000872 | Sensor support - Black                            |
| 34 | SL3GS12037B | Hardness control pin bushing                      |
| 35 | SL300950558 | Torque compression spring soft                    |
| 36 | SL310001422 | Gear motor KENTA mono 230V - 50Hz                 |
| 37 | SL310002029 | Transmission shaft racor TMC 06                   |
| 38 | SL300950587 | Limit switch                                      |
| 39 | SL310002027 | Stainless steel blade pin DIN 1481 Ø4x18          |
| 40 | SL320002575 | Beater Drive Shaft GSM G5 TMC 06                  |
| 41 | SL300003131 | Light main switch - 22x30 - Green 230V            |
| 42 | SL330000096 | Cover protection for switch 22x30                 |
| 43 | SL300951089 | Change-over switch 11x30 black                    |
| 44 | SL330000119 | Cover protection for switch 11x30                 |
| 45 | SL38EAE48GL | Ev-coil - gas 230V - 50/60 Hz                     |
| 46 | SL310000429 | Full electrovalve single CEME 220/50              |
| 47 | SL330000168 | Condenser   |
| 48 | SL310002739 | Transformer 230/12 3VA                            |
| 49 | SL320000833 | Receiver  |
| 50 | SL330000173 | Fan motor "127 x 127 x 38" 230V - 50/60Hz         |
| 51 | SL330000239 | Compressor EMT43HLP 220-240/50 IMQ                |
| 52 | SL340000197 | Condenser + Dryer GSM1                            |
| 53 | -----1      | Kit electric parts compr. EMT43HLP 220-240/50 IMQ |
| 54 | SL320000370 | Micro switch protector                            |
| 55 | SL310002831 | Sounds out temper. electr. thermos.               |
| 56 | SL310002718 | Electronic thermostat + temp. 09                  |
| 57 | SL320002414 | Compressor silenblock GS 1                        |
| 58 | SL330000145 | Full fuse 5x20 (delayed)                          |
| 59 | SL310001655 | Subjection probe spring                           |
| 60 | SL320000831 | Dryer 10 GR F.4,9-2,5XH9 Ø16x110                  |
| 61 | SL310002832 | Condenser 0'022 mF 275V                           |

## ELENCO COMPONENTI

| N°              | Codice      | Descrizione                                |
|-----------------|-------------|--|
| 1               | SL320000874 | Coperchio Nero                             |
| 2               | SL340000541 | Vasca 5 litri                              |
| 3               | SL3GS12043D | Perno rubinetto Nero                       |
| 4               | SL3GS12086C | Leva rubinetto Nera                        |
| 5               | SL320001401 | Molla rubinetto                            |
| 6               | SL310001843 | Guarnizione Ø15 x Ø2 silicone - rossa      |
| 7               | SL310001367 | Corpo rubinetto                            |
| 8               | SL320001758 | Guarnizione rubinetto                      |
| 9               | SL320000840 | Pannello sinistro                          |
| 10              | SL320000882 | Pannello anteriore                         |
| 11              | SL340000502 | Vaschetta sgocciolio completa Nera         |
| 11 <sub>1</sub> | SL300970263 | Griglia vaschetta GB - nera                |
| 11 <sub>2</sub> | SL300970262 | Vaschetta scarico GB - nera                |
| 12              | SL320000054 | Tubo scarico condensa                      |
| 13              | SL3GS24118A | Lucchetto                                  |
| 14              | SL310000321 | Supporto evaporatore. pz. 2 Nero           |
| 15              | SL310000320 | Supporto evaporatore. pz. 1 Nero           |
| 16              | SL340000477 | Supporto evaporatore completo Nero         |
| 17              | SL300500133 | Guarnizione evaporatore/vasca              |
| 18              | SL340000462 | Evaporatore                                |
| 19              | SL320002598 | Boccola sostegno albero GHZ-G5 2M6 V/9     |
| 20              | SL320000795 | Coclea                                     |
| 21              | SL310003830 | Guarnizione ventosa GHZ GB 2M6 sil.traslu. |
| 22              | SL300951627 | Tappo piano evaporatore Nero               |
| 23              | SL310002877 | Pannello post. Compl. GS.1 c/portello      |
| 23 <sub>1</sub> | SL320002419 | Pannello posteriore GS.1 v/portello        |
| 23 <sub>2</sub> | SL310000171 | Dado speciale M4 03-09                     |
| 23 <sub>3</sub> | SL320002420 | Portello pannello posteriore GS.1          |
| 23 <sub>4</sub> | SL300970274 | Vite GB-10 - nero                          |
| 24              | SL320000870 | Piano evaporatore Nero                     |
| 25              | SL320000824 | Telaio                                     |
| 26              | SL320002416 | Pannello destro GSM 1/TS-E                 |
| 27              | SL300951357 | Piede livellatore GHZ-14 V/99              |
| 28              | SL320000812 | Supporto pannello laterale                 |

| N° | Codice      | Descrizione   |
|----|-------------|---|
| 29 | SL310003935 | Cavo alimentazione TS-E 1 3x1,5 L.2M. Schuko+PA107  |
| 30 | SL310004041 | Assieme coperchio sup.evap.nero GSM V/SENC          |
| 31 | SL3GS12036A | Fermo perno regolazione durezza                     |
| 32 | SL3GS12035A | Perno regolazione durezza                           |
| 33 | SL320000872 | Supporto sensore Nero                               |
| 34 | SL3GS12037B | Boccola perno regolazione durezza                   |
| 35 | SL300950558 | Molla regolazione durezza                           |
| 36 | SL310001422 | Motoriduttore KENTA mono 230V - 50Hz                |
| 37 | SL310002029 | Raccordo albero trascinalimento TMC 06              |
| 38 | SL300950587 | Microinterruttore                                   |
| 39 | SL310002027 | Spina inox DIN 1481 Ø4x18                           |
| 40 | SL320002575 | Albero trascinalimento GSM G5 TMC 06                |
| 41 | SL300003131 | Interruttore generale luminoso 22x30 verde 230V     |
| 42 | SL330000096 | Cappuccio protezione Interruttore 22x30             |
| 43 | SL300951089 | Deviatore 11x30 nero                                |
| 44 | SL330000119 | Cappuccio protezione Interruttore 11x30             |
| 45 | SL38EAE48GL | Bobina elettrovalvola gas 230V 50/60HZ              |
| 46 | SL310000429 | Elettrovalvola singola completa CEME 220/50         |
| 47 | SL330000168 | Condensatore frigo                                  |
| 48 | SL310002739 | Trasformatore 230/12 3VA                            |
| 49 | SL320000833 | Boiler  |
| 50 | SL330000173 | Motoventilatore "127 x 127 x 38" 230V - 50/60Hz     |
| 51 | SL330000239 | Compressore EMT43HLP 220-240/50 IMQ                 |
| 52 | SL340000197 | Condensatore + Filtro GSM1                          |
| 53 | -----1      | As. parti elettriche compr. EMT43HLP 220-240/50 IMQ |
| 54 | SL320000370 | Protezione micro                                    |
| 55 | SL310002831 | Sonda temp. termost. elettronico                    |
| 56 | SL310002718 | Termostato elettronico + temp. 09                   |
| 57 | SL320002414 | Boccola silenblock compressore                      |
| 58 | SL330000145 | Fusibile completo 5x20 (ritardato)                  |
| 59 | SL310001655 | Molla fermo sonda                                   |
| 60 | SL320000831 | Filtro 10 GR F.4,9-2,5XH9 Ø16x110                   |
| 61 | SL310002832 | Condensatore 0'022 mF 275V                          |





Blank lined page for writing.

