

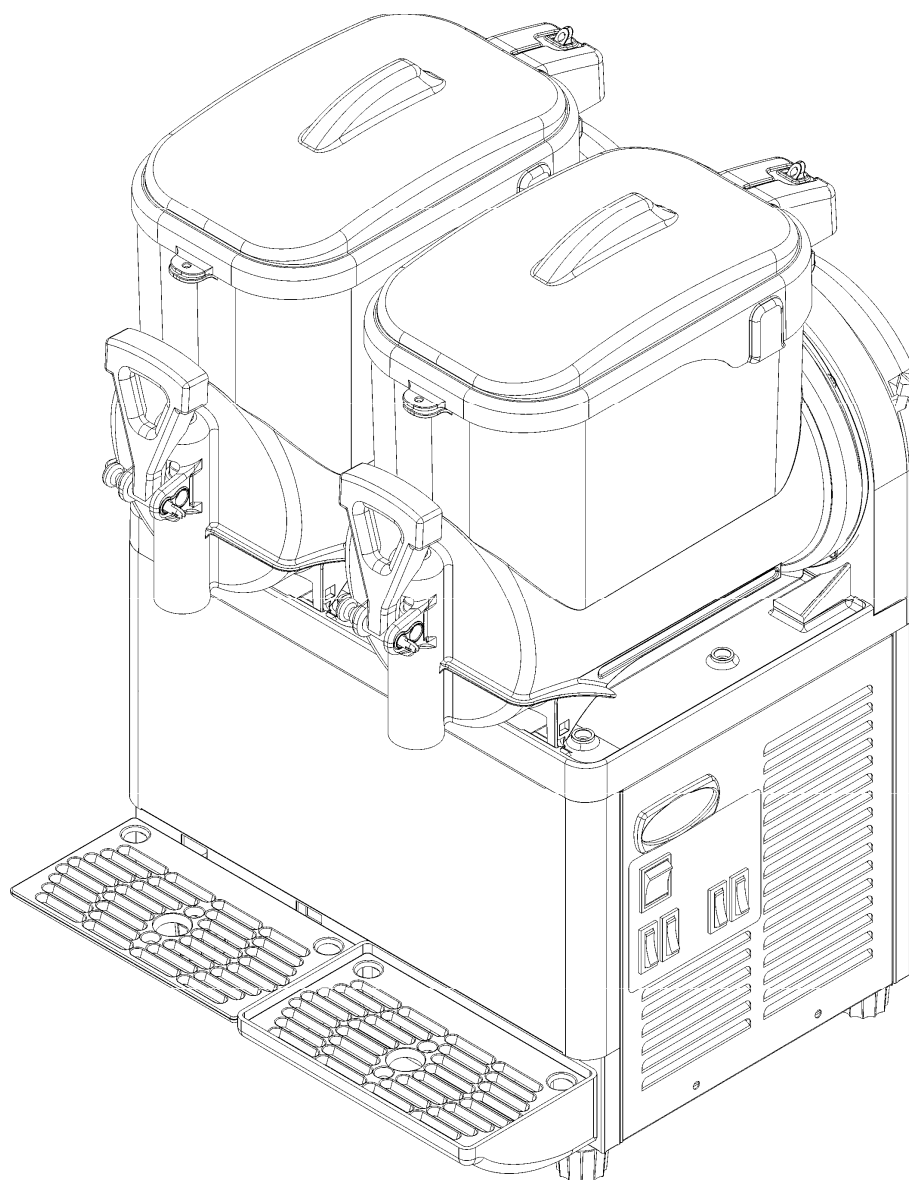
LISTA DE PIEZAS DE RECAMBIO
LIST OF COMPONENTS PARTS
LISTA RICAMBI

GRANIZADORA DE BANCO
GRANITA MACHINE
GRANITORE DA BANCO

GRANISMART 2 TS-E CE BLACK

Ref.: SL8GS052183

230-240 V. / 50 Hz.



LISTA DE PIEZAS

Nº	Referencia	Denominación
1	SL320000874	Tapa negra
2	SL340000541	Cuba 5 litros
3	SL3GS12043D	Pasador grifo negro
4	SL3GS12086C	Leva grifo HOSTAF.C2521 TY01 - negra
5	SL320001401	Muelle grifo 8 VTLS ø1.6
6	SL310001843	Junta tórica Ø15 x Ø2 silicona - roja
7	SL310001367	Pistón grifo LD - blanco
8	SL320001758	Junta especial pistón LD - blanca
9	SL320000868	Panel lateral izquierdo
10	SL320000884	Panel frontal GS 5x2 GRANISMART 2
11	SL340000502	Bandeja goteo completa negra
11 ₁	SL300970263	Rejilla goteo GB-10 - negra
11 ₂	SL300970262	Bandeja goteo GB-10 - negra
12	SL30PZ12NT8	tubo desagüe silicona 8x12 x mts.
13	SL3GS24118A	Candado
14	SL310000321	Soporte evaporador PZ-2 negro
15	SL310000320	Soporte evaporador PZ-1 negro
16	SL340000477	Soporte evaporador negro
17	SL300500133	Junta depósito
18	SL340000463	Evaporador completo
19	SL320002598	Casquillo evaporador GHZ-G5 2M6 V/9
20	SL320000795	Pala espiral
21	SL310003830	Junta estanqueidad eje GHZ-GB 2M6 sil.traslu.
22	SL300951627	Tapón bandeja superior - negro
23	SL320000875	Bandeja superior negra
24	SL320000806	Soporte bandeja superior
25	SL320000810	Panel trasero
26	SL320000773	Chasis
27	SL320002417	Panel lateral derecho GS.2 TS-E
28	SL300951357	Pie nivelador GHZ-14 V/99
29	SL320000812	Soporte panel lateral
30	SL320000784	Filtro receptor gas
31	SL320000778	Filtro deshidratador
32	SL310003935	Manguera TS-E 1 3x1,5 L.2M.SCHUKO+PA107
33	SL330000169	Condensador

Nº	Referencia	Denominación
34	SL310004041	Conj. tapa sop.ev. negro GSM V/SENC
35	SL3GS12036A	Sujeción sistema regulación
36	SL3GS12035A	Vástago regulación
37	SL320000872	Soporte sensor negro
38	SL3GS12037B	Guía muelle sistema regulación
39	SL300950558	Muelle regulación
40	SL310001422	Motorreductora KENTA mono 220/50
41	SL310002029	Racord eje transmisión TMC 06
42	SL310002027	Pasador inox DIN 1481 Ø4x18
43	SL300950587	Minirruptor completo GHZ V/99
44	SL320002575	Eje transmisión GSM G5 TMC 06
45	SL38EAE48GL	Bobina electroválvula 230/50-60
46	SL3GS24711B	Electroválvula doble completa 230V - 50/60Hz
47	SL320000783	Soporte electroválvulas
48	SL300003131	Interruptor luces verde
49	SL330000096	Protector interruptor 22x30
50	SL330000209	Interruptor negro UL 11x30 SIGNAL LUX
51	SL330000210	Conmutador negro UL 11x30 SIGNAL LUX
52	SL3GS36054A	Clip enganche panel lateral
53	SL320000787	Tubo pre-capilar
54	SL310002739	Transf. termost. electrónico 3VA bi-tensión
55	SL330000171	Hélice ventilador Ø200/34°
56	SL330000213	Motoventilador 10W 220/50-60
57	SL310002672	Compresor EMT2125GK 220/50
58	SL340000513	Grupo condensador completo
59 ₁	SL310002853	Relé compresor EMT2125GK 220/50
59 ₂	SL310002854	Clixon compresor EMT2125GK 220/50
59 ₃	SL310002985	Condensador compresor EMT2125GK 220/50
60	SL300951940	Obturador enchufe tapa sop. evap. - negro
61	SL310002831	Sonda temp. termost. electrónico V/09
62	SL310002791	Termostato electrónico 09
63	SL330000119	Protector interruptor 11x30
64	SL310002832	Condensador 0'022 mF 275V
65	SL310002830	Adhesivo mandos GS5-2 TS-E BG
66	SL310001655	Muelle sujeción sonda

LIST OF COMPONENTS PARTS

N°	Reference	Description
1	SL320000874	Cover - Black
2	SL340000541	Bowl
3	SL3GS12043D	Spigot pin - Black
4	SL3GS12086C	Spigot handle HOSTAF.C2521 TY01 - Black
5	SL320001401	Spigot spring
6	SL310001843	O-ring Ø15 x Ø2 silicone - Red
7	SL310001367	Spigot plunger
8	SL320001758	Gasket spigot
9	SL320000868	Left panel
10	SL320000884	Front panel
11	SL340000502	Drip tray assy - Black
11 ₁	SL300970263	Screen for leaking GB - black
11 ₂	SL300970262	Tray for leaking GB - black
12	SL30PZ12NT8	Drain pipe silicone 8x12 x mts.
13	SL3GS24118A	Padlock
14	SL310000321	Evaporator support pz. 2 - Black
15	SL310000320	Evaporator support pz. 1 - Black
16	SL340000477	Evaporator support assy - Black
17	SL300500133	Evap-/bowl rear gasket
18	SL340000463	Evaporator
19	SL320002598	Shaft supporting bushing GHZ-G5 2M6 V/9
20	SL320000795	Auger spiral
21	SL310003830	Watertight shaft joint GHZ GB 2M6 sil.translu.
22	SL300951627	Evaporator tray bung - Black
23	SL320000875	Evaporator tray - Black
24	SL320000806	Evaporator tray support
25	SL320000810	Rear panel
26	SL320000773	Chassis
27	SL320002417	Right panel GS.2 TS-E
28	SL300951357	Robber foot GHZ-14 V/99
29	SL320000812	Side panel support
30	SL320000784	Receiver
31	SL320000778	Dryer
32	SL310003935	Power cable TS-E 1 3x1,5 L.2M.SCHUKO+PA107
33	SL330000169	Condenser

N°	Reference	Description
34	SL310004041	Full evap.sup. cover black GSM V/SENC
35	SL3GS12036A	Hardness control pin catch
36	SL3GS12035A	Hardness control pin
37	SL320000872	Sensor support - Black
38	SL3GS12037B	Hardness control pin bushing
39	SL300950558	Torque compression spring (1.1 Blan)
40	SL310001422	Gear motor KENTA mono 220/50
41	SL310002029	Transmission shaft racor TMC 06
42	SL310002027	Stainless steel blade pin DIN 1481 Ø4x18
43	SL300950587	Limit switch
44	SL320002575	Drive shaft for spiral GSM G5 TMC 06
45	SL38EAE48GL	Ev-coil - gas 230V - 50/60 Hz
46	SL3GS24711B	Double solenoid valve assy 230V - 50/60Hz
47	SL320000783	Solenoid valve support
48	SL300003131	General switch green I/O lighted
49	SL330000096	Cover protection for switch 22x30
50	SL330000209	Black switch UL 11x30 SIGNAL LUX
51	SL330000210	Black change-over switch UL 11x30 SIGNAL LUX
52	SL3GS36054A	Clip hooking side panel
53	SL320000787	Pre-capillary pipe
54	SL310002739	Transformer 3VA 220/50-115/60 12V
55	SL330000171	Fan blade VA Ø200/34° (For mod. 230/240V - 50Hz)
56	SL330000213	Fan motor 230/240V - 50/60Hz "10W"
57	SL310002672	Compressor EMT2125GK 220/50
58	SL340000513	Condenser group assy
59 ₁	SL310002853	Compressor relay EMT2125GK 220/50
59 ₂	SL310002854	Compressor clixon EMT2125GK 220/50
59 ₃	SL310002985	Compressor condenser EMT2125GK 220/50
60	SL300951940	Padlock
61	SL310002831	Sounds out temper. electr. thermos. 09
62	SL310002791	Electronic thermostat 09
63	SL330000119	Cover protection for switch 11x30
64	SL310002832	Condenser 0'022 mF 275V
65	SL310002830	Command adhesive GS5-2 TS-E BG
66	SL310001655	Subjection probe spring

ELENCO COMPONENTI

N°	Codice	Descrizione
1	SL320000874	Coperchio Nero
2	SL340000541	Vasca 5 litri
3	SL3GS12043D	Spina leva rubinetto EURO - nera
4	SL3GS12086C	Leva rubinetto HOSTAF.C2521 TY01 - nera
5	SL320001401	Molla cilindrica rubinetto
6	SL310001843	Guarnizione Ø15 x Ø2 silicone - rossa
7	SL310001367	Corpo rubinetto
8	SL320001758	Guarnizione rubinetto
9	SL320000868	Pannello sinistro
10	SL320000884	Pannello anteriore GS2
11	SL340000502	Vaschetta sgocciolio completa Nera
11 ₁	SL300970263	Griglia vaschetta GB - nera
11 ₂	SL300970262	Vaschetta scarico GB - nera
12	SL30PZ12NT8	Tubo scarico condensa silicone 8x12 x mts.
13	SL3GS24118A	Lucchetto
14	SL310000321	Supporto evaporatore. pz. 2 Nero
15	SL310000320	Supporto evaporatore GHZ PZ-1 - nero
16	SL340000477	Supporto evaporatore completo Nero
17	SL300500133	Guarnizione evaporatore/vasca
18	SL340000463	Evaporatore GRANISMART
19	SL320002598	Boccola sostegno albero GHZ-G5 2M6 V/9
20	SL320000795	Coclea
21	SL310003830	Guarnizione ventosa GHZ GB 2M6 sil.traslu.
22	SL300951627	Tappo piano evaporatore Nero
23	SL320000875	Piano evaporatore Nero
24	SL320000806	Supporto piano evaporatore
25	SL320000810	Pannello posteriore
26	SL320000773	Telaio
27	SL320002417	Pannello destro Vers. GS.2 TS-E
28	SL300951357	Piedini livellamento GHZ-14 V/99
29	SL320000812	Supporto pannello laterale
30	SL320000784	Boiler
31	SL320000778	Filtro
32	SL310003935	Cavo alimentazione TS-E 1 3x1,5 L.2M.SCHUKO+PA107
33	SL330000169	Condensatore frigo GS2 D77674

N°	Codice	Descrizione
34	SL310004041	Assieme coperchio sup.evap.nero GSM V/SENC
35	SL3GS12036A	Supporto sistema regolazione GHZ
36	SL3GS12035A	Perno regolazione durezza
37	SL320000872	Supporto sensore Nero
38	SL3GS12037B	Guida molla regolazione GHZ
39	SL300950558	Molla regolazione durezza (1,1 Blan)
40	SL310001422	Motoriduttore KENTA mono 220/50
41	SL310002029	Raccordo albero trascinamento TMC 06
42	SL310002027	Spina inox DIN 1481 Ø4x18
43	SL300950587	Microinterruttore completo GHZ V/99
44	SL320002575	Albero Trascinamento coclea GSM G5 TMC 06
45	SL38EAE48GL	Bobina elettrovalvola 220/50
46	SL3GS24711B	Elettrovalvola completa doppia 220/50
47	SL320000783	Supporto elettrovalvola
48	SL300003131	Interruttore generale luminoso 22x30 verde
49	SL330000096	Cappuccio protezione Interruttore 22x30
50	SL330000209	Interruttore nero UL 11x30 SIGNAL LUX
51	SL330000210	Deviatore nero UL 11x30 SIGNAL LUX
52	SL3GS36054A	Clips aggancio pannello laterale
53	SL320000787	Tubo precapillare
54	SL310002739	Transf. termost. elettronico 3VA bi tensione
55	SL330000171	Ventola VA Ø200/34° (Per mod. 230/240V - 50Hz)
56	SL330000213	Motoventilatore 10W 230-240/50-60
57	SL310002672	Compressore EMT2125GK 220/50
58	SL340000513	Gruppo condensatore assemblato
59 ₁	SL310002853	Relé compressore EMT2125GK 220/50
59 ₂	SL310002854	Salvamatore compressore EMT2125GK 220/50
59 ₃	SL310002985	Condensatore compressore EMT2125GK 220/50
60	SL300951940	Lucchetto
61	SL310002831	Sonda temp. termost. elettronico V/09
62	SL310002791	Termostato elettronico 09
63	SL330000119	Cappuccio protezione Interruttore 11x30
64	SL310002832	Condensatore 0'022 mF 275V
65	SL310002830	Adesivo comandi GS5-2 TS-E BG
66	SL310001655	Molla fermo sonda

DESPIECE - EXPLODED VIEW - ESPLOSO DISEGNO

