

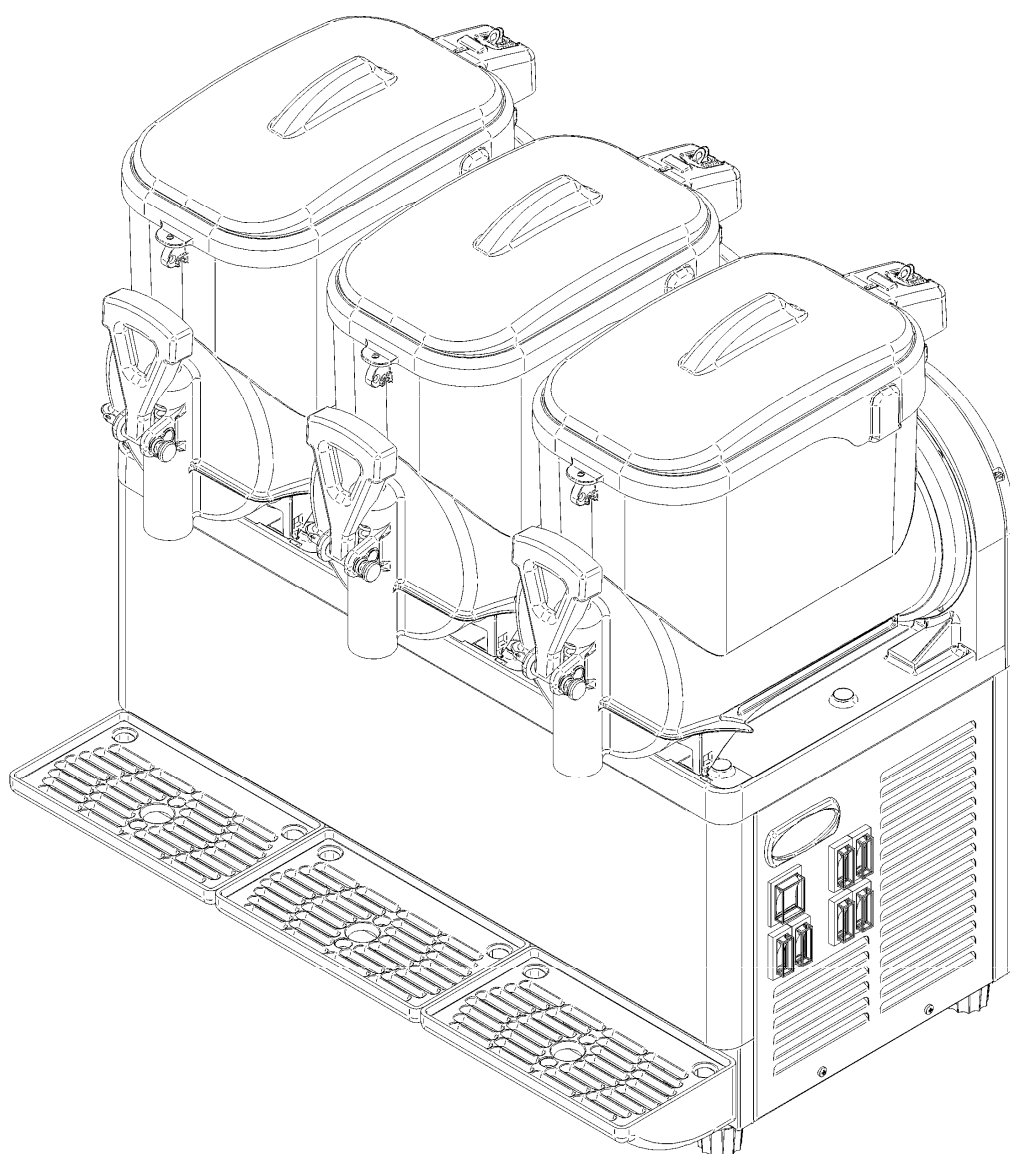
LISTA DE PIEZAS DE RECAMBIO
LIST OF COMPONENTS PARTS
LISTA RICAMBI

GRANIZADORA DE BANCO
GRANITA MACHINE
GRANITORE DA BANCO

GRANISMART 3 TS-E CE BLACK GBG

Ref.: SL8GS053183

230-240 V. / 50 Hz.



LISTA DE PIEZAS

Nº	Referencia	Denominación
1	SL300970263	Rejilla goteo GB - negra
2	SL300970262	Bandeja goteo GB - negra
3	SL330000137	Tornillo niq. autor. 3'5x6'5
4	SL31CFM8016	Tornillo zincado DIN 6921 M8x16
5	SL31CD06012	Tornillo zincado DIN 933 M6x12
6	SL31JTM8008	Tuerca zincada DIN 6923 M8 con arandela
7	SL330000118	Tornillo niq. DIN 7500-C B-3'5x9'5
8	SL330000137	Tornillo niq. autor. 3'5x6'5
9	SL320000868	Panel lateral izquierdo
10	SL320002626	Panel frontal GS3
11	SL340000502	Bandeja goteo + rejilla GB-10 - negra
11 ₁	SL300970263	Rejilla goteo GB - negra
11 ₂	SL300970262	Bandeja goteo GB - negra
12	SL30PZ12NT8	Tubo desagüe silicona 8x12 x mts.
13	SL300000254	Arandela zincada DIN 9021 M6
14	SL310000321	Soporte evaporador PZ-2 - negro
15	SL310000320	Soporte evaporador PZ-1 - negro
16	SL340000477	Soporte evap. compl. GRANISMART - negro
17	SL300350023	Soporte transformador
18	SL310004296	Evaporador GS 3
19	SL31SN0T00W	Tornillo niq. DIN 7981-C B-3,5x6,5
20	SL300002243	Tornillo zincado DIN 933 M4x12
21	SL300000861	Arandela zincada DIN 9021 M4
22	SL300951627	Tapón bandeja superior GHZ negro
23	SL310003816	Bandeja superior GS3 - negra
24	SL320000806	Soporte bandeja superior
25	SL320002632	Panel trasero GS3
26	SL320002624	Chasis GS3
27	SL320002633	Panel lateral derecho GS3 TS-E
28	SL300951357	Pie nivelador GHZ-14 V/99
29	SL320000812	Soporte panel lateral
30	SL310003798	Filtro expansionador GS3
31	SL320000778	Filtro deshidratador
32	SL31JEMG060	Tuerca zincada DIN 934 M6
33	SL330000169	Condensador GS 5x2 D77674
34	SL320002714	Tapa soporte evaporador GS SENC - negra
35	SL3GS12036A	Sujeción sistema regulación GHZ
36	SL3GS12035A	Vástago regulación

Nº	Referencia	Denominación
37		
38	SL3GS12037B	Guía muelle sistema regulación GHZ
39	SL300950558	Muelle regulación
40	SL310000444	Grapa electroválvula B-4
41	SL300970157	Cuerpo electroválvula triple V/99
42	SL300000254	Arandela zincada DIN 9021 M6
43	SL300950587	Micro densidad
44	SL330000209	Interruptor 11x30 UL
45	SL38EAE48GL	Bobina electroválvula V/99 220/50
46	SL3GS36711B	Electroválvula completa triple CEME 220/50
47	SL320000783	Soporte electroválvulas
48	SL300003131	Interruptor general Verde I/O Lum.
49	SL330000096	Protector interruptor 22x30
50	SL330000210	Conmutador UL - negro
51	SL330000119	Protector interruptor 11x30
52	SL3GS36054A	Clip enganche panel lateral GS
53	SL300951921	Tornillo zincado DIN 7981 B-3'9x13
54	SL310002739	Transf. temp. termost. termóm. 3VA bi-tensión
55	SL330000171	Hélice ventilador Ø200/34°
56	SL330000213	Motoventilador 10W 230-240/50-60
57	SL37ZH02134	Compresor NE2134GK 220/50
58	SL340000513	Grupo condensador completo GRANISMART 2
59	SL300951921	Tornillo zincado DIN 7981 B-3'9x13
60	SL300000860	Tuerca zincada DIN 934 M4
61	SL310002831	Sonda temp. termost. electrónico V/09
62	SL310002791	Termostato electrónico 09
63	SL31FD0R024	Tornillo niq. DIN 7981-C B-2'4x25
64	SL300000965	Tornillo niq. DIN 7981-C B-2,9x13
65	SL300009227	Tornillo zincado DIN 933 M4x45
66	SL31BBM4012	Tornillo inox DIN 965 M4x12
67	SL300002330	Tuerca inox DIN 934 M4
68	SL330000008	Tornillo zincado DIN 7500-C B-3,5x25 BZ
69	SL37TAH0401	Motoventilador 120x120
70	SL330000168	Condensador GS 5x1
71	SL300951465	Clixon compresor NE2134GK 220/50
72	SL300951466	Relé compresor NE2134GK 220/50
73	SL300951743	Condensador compresor NE2134GK 220/50

LIST OF COMPONENTS PARTS

N°	Reference	Description
1	SL300970263	Screen for leaking GB - black
2	SL300970262	Tray for leaking GB - black
3	SL330000137	Nickel screw self-tapping 3'5x6'5
4	SL31CFM8016	Zinc screw DIN 6921 M8x16
5	SL31CD06012	Zinc screw DIN 933 M6x12
6	SL31JTM8008	Zinc nut DIN 6923 M8 with washer
7	SL330000118	Nickel screw DIN 7500-C B-3'5x9'5
8	SL330000137	Nickel screw self-tapping 3'5x6'5
9	SL320000868	Left panel
10	SL320002626	Front panel GS3
11	SL340000502	Drip tray assy - Black
11 ₁	SL300970263	Screen for leaking GB - black
11 ₂	SL300970262	Tray for leaking GB - black
12	SL30PZ12NT8	Drain pipe silicone 8x12 x mts.
13	SL300000254	Zinc washer DIN 9021 M6
14	SL310000321	Evap. device support GHZ PZ-2 - black
15	SL310000320	Evap. device support GHZ PZ-1 - black
16	SL340000477	Evaporator support assy - Black
17	SL300350023	Connection rule support deck
18	SL310004296	Evaporator GS 3
19	SL31SN0T00W	Nickel screw DIN 7981-C B-3,5x6,5
20	SL300002243	Zinc screw DIN 933 M4x12
21	SL300000861	Zinc washer DIN 9021 M4
22	SL300951627	Evaporator tray bung - Black
23	SL310003816	Evaporator tray - Black
24	SL320000806	Evaporator tray support
25	SL320002632	Rear panel GS3
26	SL320002624	Chassis GS3
27	SL320002633	Right panel GS3 TS-E
28	SL300951357	Rubber foot GHZ-14 V/99
29	SL320000812	Side panel support
30	SL310003798	Receiver
31	SL320000778	Dryer
32	SL31JEMG060	Zinc nut DIN 934 M6
33	SL330000169	Condenser GS 5x2 D77674
34	SL320002714	Evaporator support cover GS SENC - Black
35	SL3GS12036A	Holding in place of regulation system
36	SL3GS12035A	Hardness control pin

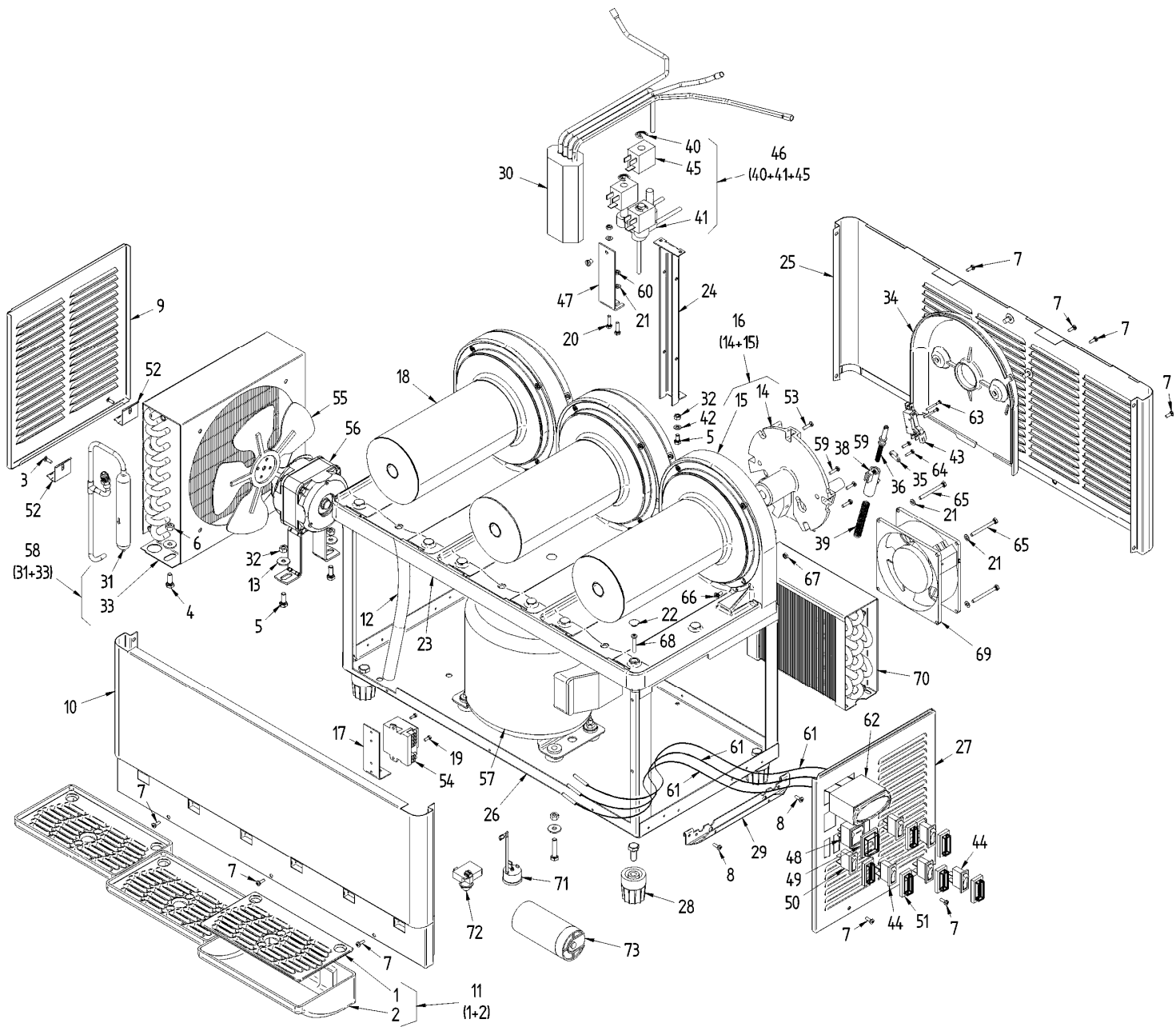
N°	Reference	Description
37		
38	SL3GS12037B	Regulation system spring guide
39	SL300950558	Torque compression spring (1.1 Blan)
40	SL310000444	Electrovalve clamp B4
41	SL300970157	Triple electrovalve body V/99
42	SL300000254	Zinc washer DIN 9021 M6
43	SL300950587	Full miniruptor V/99
44	SL330000209	Switch 11x30 UL
45	SL38EAE48GL	Electrovalve bobbin 220/50
46	SL3GS36711B	Full triple electrovalve V/99 220/50
47	SL320000783	Solenoid valve support
48	SL300003131	Light main switch - 22x30 - Green
49	SL330000096	Cover protection for switch 22x30
50	SL330000210	Black change-over switch UL
51	SL330000119	Cover protection for switch 11x30
52	SL3GS36054A	Clip hooking side panel
53	SL300951921	Zinc screw DIN 7981 B-3'9x13
54	SL310002739	Transformer 3VA 220/50-115/60 12V
55	SL330000171	Fan blade VA Ø200/34° (For mod. 230/240V - 50Hz)
56	SL330000213	Fan motor 230/240V - 50/60Hz "10W"
57	SL37ZH02134	Compressor NE2134GK 220/50
58	SL340000513	Condenser group assy
59	SL300951921	Zinc screw DIN 7981 B-3'9x13
60	SL300000860	Zinc nut DIN 934 M4
61	SL310002831	Sounds out temper. electr. thermos. 09
62	SL310002791	Electronic thermostat 09
63	SL31FD0R024	Nickel screw DIN 7981-C B-2'4x25
64	SL300000965	Nickel screw DIN 7981-C B-2,9x13
65	SL300009227	Zinc screw DIN 933 M4x45
66	SL31BBM4012	Stainless steel screw DIN 965 M4x12
67	SL300002330	Stainless steel nut DIN 934 M4
68	SL330000008	Zinc screw DIN 7500-C B-3,5x25 BZ
69	SL37TAH0401	Motoventilator 120x120x38 220/50-60
70	SL330000168	Condenser GS 5x1 D77815
71	SL300951465	Compressor clixon NE2134GK 220/50
72	SL300951466	Compressor relay NE2134GK 220/50
73	SL300951743	Compressor condenser NE2134GK 220/50

ELENCO COMPONENTI

N°	Codice	Descrizione
1	SL300970263	Griglia vaschetta GB - nera
2	SL300970262	Vaschetta scarico GB - nera
3	SL330000137	Vite niq. autor. 3'5x6'5
4	SL31CFM8016	Vite zincata DIN 6921 M8x16
5	SL31CD06012	Vite zincata DIN 933 M6x12
6	SL31JTM8008	Dado zincato DIN 6923 M8 con rondella
7	SL330000118	Vite niq. DIN 7500-C B-3'5x9'5
8	SL330000137	Vite niq. autor. 3'5x6'5
9	SL320000868	Pannello sinistro
10	SL320002626	Pannello frontale GS3
11	SL340000502	Vaschetta sgocciolio completa Nera
11 ₁	SL300970263	Griglia vaschetta GB - nera
11 ₂	SL300970262	Vaschetta scarico GB - nera
12	SL30PZ12NT8	Tube scarico silicone 8x12 x mts.
13	SL300000254	Rondella zincata DIN 9021 M6
14	SL310000321	Supporto evaporatore. pz. 2 Nero
15	SL310000320	Supporto evaporatore. pz. 1 Nero
16	SL340000477	Supporto evaporatore completo Nero
17	SL300350023	Supporto trasformatore
18	SL310004296	Evaporatore GS 3
19	SL31SN0T00W	Vite niq. DIN 7981-C B-3,5x6,5
20	SL300002243	Vite zincata DIN 933 M4x12
21	SL300000861	Rondella zincata DIN 9021 M4
22	SL300951627	Tappo piano evaporatore Nero
23	SL310003816	Piano evaporatore GS3 Nero
24	SL320000806	Supporto piano evaporatore
25	SL320002632	Pannello posteriore GS3
26	SL320002624	Telaio GS3
27	SL320002633	Pannello destro GS3 TS-E
28	SL300951357	Piede livellatore GHZ V/99
29	SL320000812	Supporto pannello laterale
30	SL310003798	Boiler
31	SL320000778	Filtro
32	SL31JEMG060	Dado zincato DIN 934 M6
33	SL330000169	Condensatore frigo
34	SL320002714	Coperchio supporto evaporatore GS SENC - nero
35	SL3GS12036A	Fermo perno regolazione durezza
36	SL3GS12035A	Perno regolazione durezza

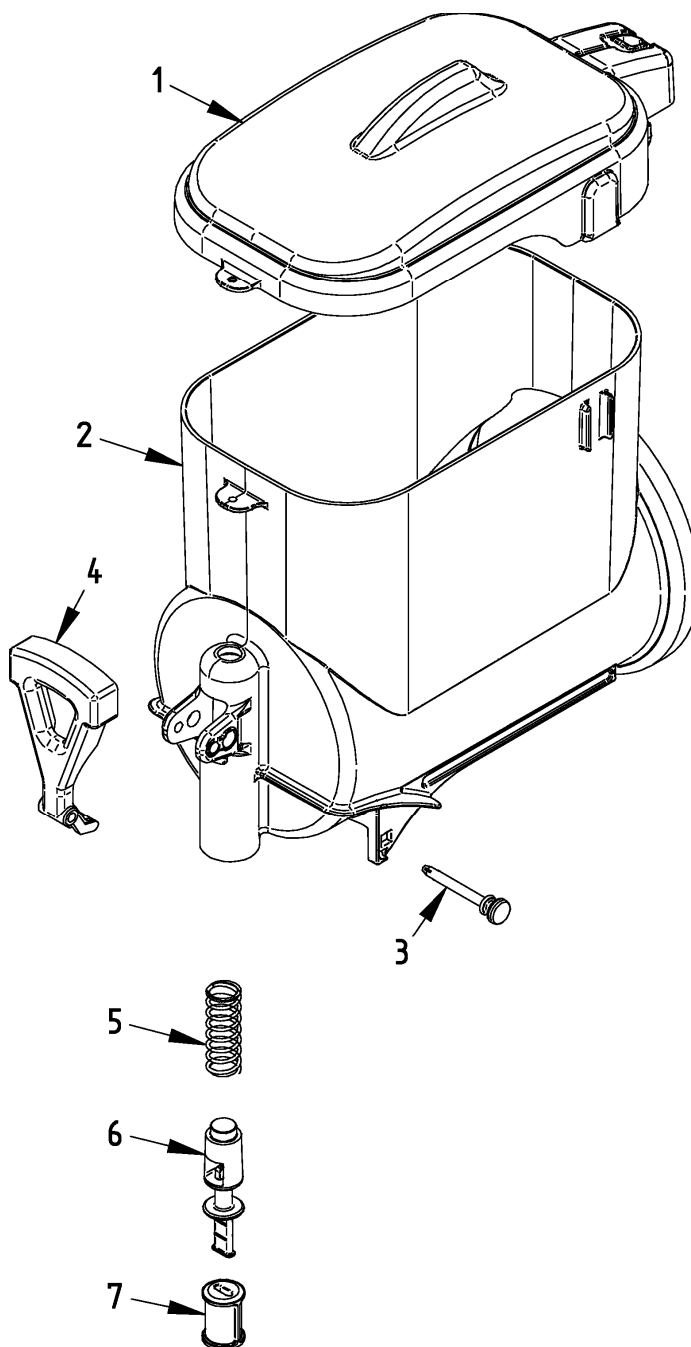
N°	Codice	Descrizione
37		
38	SL3GS12037B	Boccola perno regolazione durezza
39	SL300950558	Molla regolazione durezza (1,1 Blan)
40	SL310000444	Morsetto elettrovalvola B-4
41	SL300970157	Elettrovalvola triplo V/99
42	SL300000254	Rondella zincata DIN 9021 M6
43	SL300950587	Microinterruttore
44	SL330000209	Interruttore 11x30 UL
45	SL38EAE48GL	Bobina elettrovalvola 220/50
46	SL3GS36711B	Elettrovalvola completa triplo 220/50
47	SL320000783	Supporto elettrovalvola
48	SL300003131	Interruttore generale luminoso 22x30 verde
49	SL330000096	Cappuccio protezione Interruttore 22x30
50	SL330000210	Deviatore UL - nero
51	SL330000119	Cappuccio protezione Interruttore 11x30
52	SL3GS36054A	Clips aggancio pannello laterale
53	SL300951921	Vite zincata DIN 7981 B-3'9x13
54	SL310002739	Trasf. temp. termost. termom. 3VA bi-tensione
55	SL330000171	Ventola VA Ø200/34° (Per mod. 230/240V - 50Hz)
56	SL330000213	Motoventilatore 230/240V - 50/60Hz "10W"
57	SL37ZH02134	Compressore NE2134GK 220/50
58	SL340000513	Gruppo condensatore assemblato
59	SL300951921	Vite zincata DIN 7981 B-3'9x13
60	SL300000860	Dado zincato DIN 934 M4
61	SL310002831	Sonda temp. termost. elettronico V/09
62	SL310002791	Termostato elettronico 09
63	SL31FD0R024	Vite niq. DIN 7981-C B-2'4x25
64	SL300000965	Vite niq. DIN 7981-C B-2,9x13
65	SL300009227	Vite zincata DIN 933 M4x45
66	SL31BBM4012	Vite inox DIN 965 M4x12
67	SL300002330	Dado inox DIN 934 M4
68	SL330000008	Vite zincata DIN 7500-C B-3,5x25 BZ
69	SL37TAH0401	Motoventilatore 120x120
70	SL330000168	Condensatore GS 5x1
71	SL300951465	Salvamotore compressore NE2134GK 220/50
72	SL300951466	Relé compressore NE2134GK 220/50
73	SL300951743	Condensatore compressore NE2134GK 220/50

DESPIECE - EXPLODED VIEW - ESPLOSO DISEGNO



DEPÓSITO, TAPA Y GRIFO - TANK, COVER AND TAP - VASCA, COPERCHIO E RUBINETTO

Nº	Cod.	Denominación	Description	Descrizione
1	SL320000874	Tapa - negra	Cover - Black	Coperchio Nero
2	SL340000541	Depósito GS 5 L. UL + adhesivo mov.	Bowl 5 litres	Vasca
3	SL3GS12043D	Pasador leva grifo EURO - negro	Pin tap lever EURO - black	Perno rubinetto Nero
4	SL3GS12086C	Leva grifo HOSTAF.C2521 TY01 - negra	Spigot handle - Black	Leva rubinetto HOSTAF.C2521 TY01 - Nera
5	SL320001401	Muelle grifo 8 VTLS ø1.6	Cylindrical spring cock	Molla rubinetto
6	SL310001367	Pistón grifo LD - blanco	Spigot plunger LD - white	Corpo rubinetto
7	SL320001758	Junta especial pistón LD - blanca	Spigot plug LD - white	Guarnizione rubinetto



ESTANQUEIDAD Y TRANSMISION - WATERTIGHTNESS AND TRANSMISSION - TENUTA E TRASCINAMENTO

Nº	Cod.	Denominación	Description	Descrizione
1	SL320000795	Pala espiral	Auger spiral	Coclea
2	SL310003830	Junta estanqueidad eje GHZ-GB 2M6 sil.traslu.	Watertight shaft joint GHZ GB 2M6 sil.translu.	Guarnizione ventosa GHZ GB 2M6 sil.traslu.
3	SL310001843	Junta tórica Ø15 x Ø2 silicona - roja	O-ring Ø15 x Ø2 silicone - Red	Guarnizione Ø15 x Ø2 silicone - rossa
4	SL320002598	Casquillo evaporador GHZ-G5 2M6 V/9	Shaft supporting bushing GHZ-G5 2M6 V/9	Boccola sostegno albero GHZ-G5 2M6 V/9
5	SL320002575	Eje transmisión GSM G5 TMC 06	Beater Drive Shaft GSM G5 TMC 06	Albero trascinamento GSM G5 TMC 06
6	SL310002029	Racord eje transmisión TMC 06	Transmission shaft racor TMC 06	Raccordo albero trascinamento TMC 06
7	SL310002027	Pasador inox DIN 1481 Ø4x18	Stainless steel blade pin DIN 1481 Ø4x18	Spina inox DIN 1481 Ø4x18
8	SL310001422	Motorreductora KENTA mono 220/50	Gear motor KENTA mono 230V - 50Hz	Motoriduttore KENTA mono 230V - 50Hz
9	SL300500133	Junta depósito CH-110 V/96	Evap./bowl rear gasket	Guarnizione evaporatore/vasca

