

**LISTA DE PIEZAS DE RECAMBIO  
LIST OF COMPONENTS PARTS  
LISTA RICAMBI**

**GRANIZADORA DE BANCO  
GRANITA MACHINE  
GRANITORE DA BANCO**

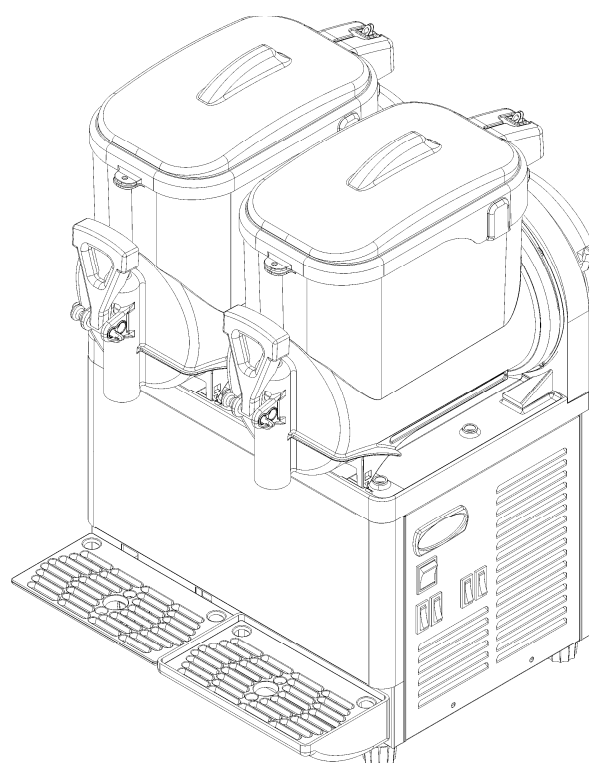
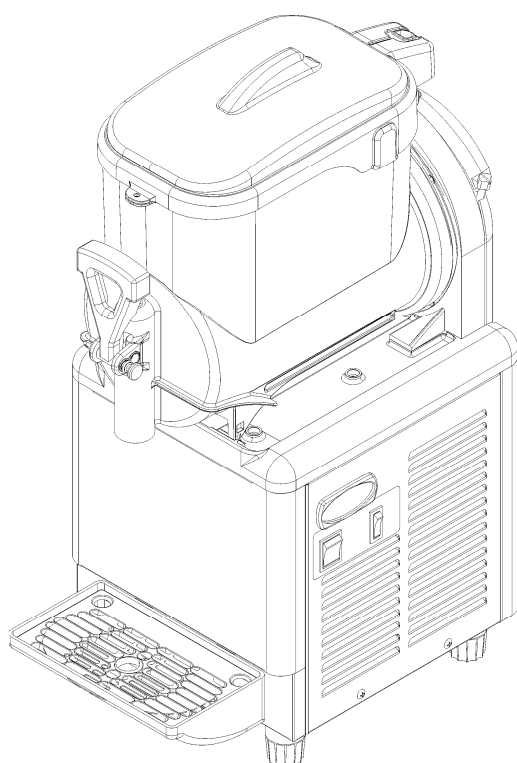
**GRANISMART 1 BRS TS-E 230/50 CE BLACK**

Ref.: SL8GS051215

**GRANISMART 2 BRS TS-E CE BLACK**

Ref.: SL8GS052215

**230 V. / 50 Hz.**



| Nº              | Referencia  | Denominación                                  |
|-----------------|-------------|---|
| 1               | SL320000874 | Tapa - negra                                  |
| 2               | SL340000541 | Depósito GS 5 L. UL + adhesivo mov.           |
| 3               | SL3GS12043D | Pasador leva grifo EURO - negro               |
| 4               | SL3GS12086C | Leva grifo HOSTAF.C2521 TY01 - negra          |
| 5               | SL320001401 | Muelle grifo 8 VTLS ø1.6                      |
| 6               | SL310001843 | Junta tórica Ø15 x Ø2 silicona - roja         |
| 7               | SL310001367 | Pistón grifo LD - blanco                      |
| 8               | SL320001758 | Junta especial pistón LD - blanca             |
| 9               | SL320000840 | Panel lateral izquierdo                       |
| 10              | SL320000882 | Panel frontal                                 |
| 11              | SL340000502 | Bandeja goteo + rejilla GB-10 - negra         |
| 11 <sub>1</sub> | SL300970263 | Rejilla goteo GB - negra                      |
| 11 <sub>2</sub> | SL300970262 | Bandeja goteo GB - negra                      |
| 12              | SL30PZ12NT8 | tubo desagüe silicona 8x12 x mts.             |
| 13              | SL300951940 | Obturador enchufe tapa sop. evap. - negro     |
| 14              | SL320002965 | Soporte evaporador PZ-2 - negro               |
| 15              | SL320002964 | Soporte evaporador GHZ PZ-1 - negra           |
| 16              | SL320002963 | Soporte evap. compl. GRANISMART - negro       |
| 17              | SL300500133 | Junta depósito CH-110 V/96                    |
| 18              | SL340001667 | Evaporador completo GSM 1 ST2                 |
| 19              | SL320002598 | Casquillo evaporador GHZ-G5 2M6 V/9           |
| 20              | SL320000795 | Pala espiral                                  |
| 21              | SL310003830 | Junta estanqueidad eje GHZ-GB 2M6 sil.traslu. |
| 22              | SL300951627 | Tapón bandeja superior GHZ - negro            |
| 23              | SL310002877 | Panel tras. completo GS.1 c/puerta            |
| 23 <sub>1</sub> | SL320002419 | Panel trasero GS.1 v/puerta                   |
| 23 <sub>2</sub> | SL310000171 | Tuerca enjaulada M4 03-09                     |
| 23 <sub>3</sub> | SL320002420 | Puerta panel trasero GS.1                     |
| 23 <sub>4</sub> | SL300970274 | Tornillo grifo GB-10 negro                    |
| 24              | SL320002962 | Bandeja superior negra                        |
| 25              | SL320000824 | Chasis  |
| 26              | SL320002416 | Panel derecho GSM 1/TS-E                      |
| 27              | SL300951357 | Pie nivelador GHZ-14 V/99                     |
| 28              | SL320000812 | Soporte panel lateral                         |
| 29              | SL310003935 | Manguera TS-E 1 3x1,5 L.2M. Schuko+PA107      |
| 30              | SL320002714 | Tapa soporte evaporador GS5 GHZ-14 - negra    |
| 31              | SL3GS12036A | Sujeción sistema regulación GHZ               |
| 32              | SL3GS12035A | Vástago regulación                            |
| 33              | SL320000872 | Soporte sensor - negro                        |
| 34              | SL3GS12037B | Guía muelle sistema regulación GHZ            |
| 35              | SL300950558 | Muelle regulación blando                      |

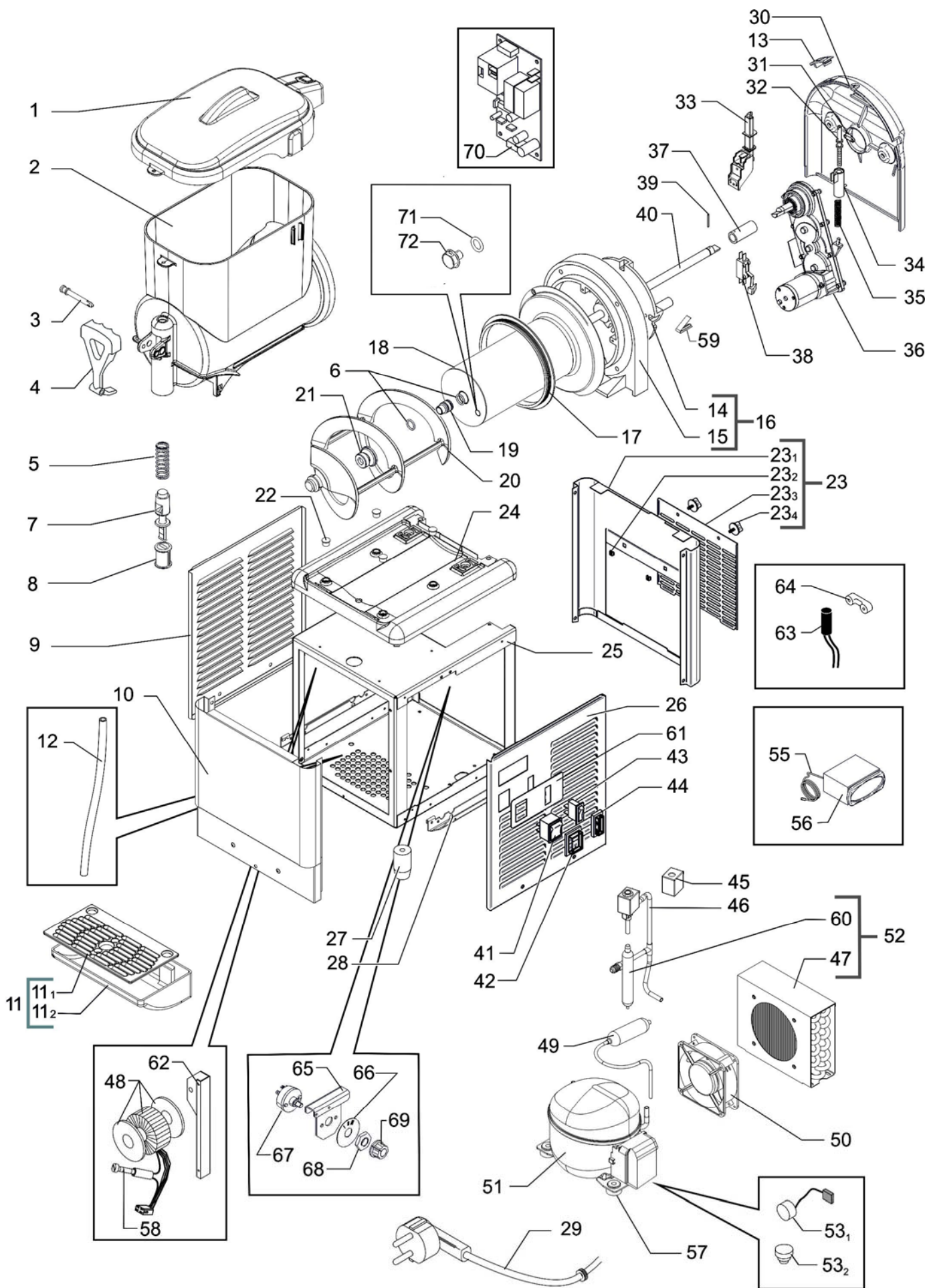
| Nº              | Referencia  | Denominación                                  |
|-----------------|-------------|---|
| 36              | SL330000366 | Motorreductora KENTA K9359500 BRS24Vdcø42     |
| 37              | SL310002029 | Racord eje transmisión TMC 06                 |
| 38              | SL300950587 | Minirruptor completo GHZ V/99                 |
| 39              | SL310002027 | Pasador inox DIN 1481 Ø4x18                   |
| 40              | SL320002575 | Eje transmisión GSM G5 TMC 06                 |
| 41              | SL300003131 | Interruptor general Verde I/O Lum.            |
| 42              | SL330000096 | Protector interruptor 22x30                   |
| 43              | SL330000210 | Conmutador negro UL 11x30 SIGN.LUX            |
| 44              | SL330000119 | Protector interruptor 11x30                   |
| 45              | SL38EAE48GL | Bobina electroválvula gas CEME 230V 50Hz      |
| 45              | SL310005788 | Bobina electroválvula gas OLAB 230V 50Hz      |
| 46              | SL310000429 | Electroválvula simple completa CEME 230V 50Hz |
| 46              | SL310005789 | Electroválvula simple completa OLAB 230V 50Hz |
| 47              | SL330000168 | Condensador GS 5x1 D77815                     |
| 48              | SL330000383 | Transformador tor./PMA 230/24 80 VA+ACC.      |
| 49              | SL320000833 | Filtro receptor gas                           |
| 50              | SL330000173 | Motoventilador 127x127x38 230/50              |
| 51              | SL330000239 | Compresor EMT43HLP 220-240/50 IMQ             |
| 52              | SL340000197 | Condensador + Filtro GSM1                     |
| 53 <sub>1</sub> | SL310002753 | Relé compresor EMT43HLP 220-240/50 IMQ        |
| 53 <sub>2</sub> | SL310002754 | Clixon compresor EMT43HLP 220-240/50 IMQ      |
| 54              |             |   |
| 55              | SL310002736 | Sonda temperatura V09 T-E L.1150              |
| 56              | SL310002718 | Termostato electrónico + temp. 09             |
| 57              | SL320002414 | Casquillo silenblock compr. GS 1              |
| 58              | SL330000384 | Fusible cristal 5x20 630mA retardado          |
| 59              | SL310001655 | Muelle sujeción sonda VIP                     |
| 60              | SL320000831 | Filtro 10 GR F.4,9-2,5XH9 Ø16x110             |
| 61              | SL310002825 | Adhesivo mandos GS5-1 TS-E BG                 |
| 62              | SL320002585 | Soporte transf. tor. GS 1 EB                  |
| 63              | SL310004778 | Sensor segur. dep.1 cableado BRS              |
| 64              | SL320000867 | Sujeción sensor magnético blanco GS           |
| 65              | SL320002761 | Soporte int.mand.rotativo GSM1 BRS            |
| 66              | SL320002710 | Adhesivo reg.3 velocidades GSM1 BRS negro     |
| 67              | SL330000369 | Conmutador rotativo (3P)                      |
| 68              | SL330000371 | Mando regulación velocidad Ø20x12 negro       |
| 69              | SL330000370 | Tuerca plástico negra M10X1 alt.3             |
| 70              | SL320002631 | Placa electrónica GS 1 BRS                    |
| 71              | IC541000418 | Junta tórica 1,78x11,11 SL 60 114 roja        |
| 72              | SL310005969 | Tapón sonda interna evap. (PLAST.)            |

| N°              | Reference   | Description                                    |
|-----------------|-------------|--|
| 1               | SL320000874 | Cover - Black                                  |
| 2               | SL340000541 | Bowl 5 litres                                  |
| 3               | SL3GS12043D | Spigot pin - Black                             |
| 4               | SL3GS12086C | Spigot handle - Black                          |
| 5               | SL320001401 | Spigot spring                                  |
| 6               | SL310001843 | O-ring Ø15 x Ø2 silicone - Red                 |
| 7               | SL310001367 | Spigot plunger                                 |
| 8               | SL320001758 | Gasket spigot                                  |
| 9               | SL320000840 | Left panel                                     |
| 10              | SL320000882 | Front panel                                    |
| 11              | SL340000502 | Drip tray set - Black                          |
| 11 <sub>1</sub> | SL300970263 | Screen for leaking GB - black                  |
| 11 <sub>2</sub> | SL300970262 | Tray for leaking GB - black                    |
| 12              | SL30PZ12NT8 | Drain pipe silicone 8x12 x mts.                |
| 13              | SL300951940 | Switch obturator - black                       |
| 14              | SL320002965 | Evaporator support PZ-2 - black                |
| 15              | SL320002964 | Evaporator support GHZ PZ-1 - black            |
| 16              | SL320002963 | Evaporator support set GRANISMART - black      |
| 17              | SL300500133 | Evap./bowl rear gasket                         |
| 18              | SL340001667 | Evaporation device GSM 1 ST2                   |
| 19              | SL320002598 | Shaft supporting bushing GHZ-G5 2M6 V/9        |
| 20              | SL320000795 | Auger spiral                                   |
| 21              | SL310003830 | Watertight shaft joint GHZ GB 2M6 sil.translu. |
| 22              | SL300951627 | Evaporator tray bung - Black                   |
| 23              | SL310002877 | Full rear panel GS.1 w/door                    |
| 23 <sub>1</sub> | SL320002419 | Rear panel GS.1 v/door                         |
| 23 <sub>2</sub> | SL310000171 | Special nut M4 03-09                           |
| 23 <sub>3</sub> | SL320002420 | Rear panel door GS.1                           |
| 23 <sub>4</sub> | SL300970274 | Tap screw GB-10 - black                        |
| 24              | SL320002962 | Evaporator tray - Black                        |
| 25              | SL320000824 | Chassis  |
| 26              | SL320002416 | Right panel GSM 1/TS-E                         |
| 27              | SL300951357 | Rubber foot GHZ-14 V/99                        |
| 28              | SL320000812 | Side panel support                             |
| 29              | SL310003935 | Power cable TS-E 1 3x1,5 L.2M. Schuko+PA107    |
| 30              | SL320002714 | Evaporator support cover GS5 GHZ-14 - Black    |
| 31              | SL3GS12036A | Hardness control pin catch                     |
| 32              | SL3GS12035A | Hardness control pin                           |
| 33              | SL320000872 | Sensor support - Black                         |
| 34              | SL3GS12037B | Hardness control pin bushing                   |
| 35              | SL300950558 | Torque compression spring soft                 |

| N°              | Reference   | Description                                |
|-----------------|-------------|--|
| 36              | SL330000366 | Gear motor KENTA K9359500 BRS24Vdcø42      |
| 37              | SL310002029 | Transmission shaft racor TMC 06            |
| 38              | SL300950587 | Limit switch                               |
| 39              | SL310002027 | Stainless steel blade pin DIN 1481 Ø4x18   |
| 40              | SL320002575 | Beater Drive Shaft GSM G5 TMC 06           |
| 41              | SL300003131 | Light main switch - 22x30 - Green 230V     |
| 42              | SL330000096 | Cover protection for switch 22x30          |
| 43              | SL330000210 | Change-over switch UL 11x30 SIGN.LUX       |
| 44              | SL330000119 | Cover protection for switch 11x30          |
| 45              | SL38EAE48GL | Gas electrovalve bobbin CEME 230V 50Hz     |
| 45              | SL310005788 | Gas electrovalve bobbin OLAB 230V 50Hz     |
| 46              | SL310000429 | Full single electrovalve CEME 230V 50Hz    |
| 46              | SL310005789 | Full single electrovalve OLAB 230V 50Hz    |
| 47              | SL330000168 | Condenser                                  |
| 48              | SL330000383 | Transformer tor. 230/24 80VA+ACC           |
| 49              | SL320000833 | Receiver                                   |
| 50              | SL330000173 | Fan motor "127 x 127 x 38" 230V - 50/60Hz  |
| 51              | SL330000239 | Compressor EMT43HLP 220-240/50 IMQ         |
| 52              | SL340000197 | Condenser + Dryer GSM1                     |
| 53 <sub>1</sub> | SL310002753 | Relay compressor EMT43HLP 220-240/50 IMQ   |
| 53 <sub>2</sub> | SL310002754 | Clixon compressor EMT43HLP 220-240/50 IMQ  |
| 54              |             |  |
| 55              | SL310002736 | Temperature probe V09 T-E L.1150           |
| 56              | SL310002718 | Electronic thermostat TS-E 12/24V 1S+TIMER |
| 57              | SL320002414 | Compressor silenblock GS 1                 |
| 58              | SL330000384 | Fuse 5X20 630mA delayed                    |
| 59              | SL310001655 | Probe subjection spring VIP                |
| 60              | SL320000831 | Dryer 10 GR F.4,9-2,5XH9 Ø16x110           |
| 61              | SL310002825 | Command adhesive GS5-1 TS-E BG             |
| 62              | SL320002585 | Toroidal transformer support               |
| 63              | SL310004778 | Sensor wiring safety tank BRS              |
| 64              | SL320000867 | Holding magnetic sensor GS white           |
| 65              | SL320002761 | Support internal rotary control GSM1 BRS   |
| 66              | SL320002710 | Adhesive 3 speed regulator GSM1 BRS black  |
| 67              | SL330000369 | Rotary switch (3P)                         |
| 68              | SL330000371 | Speed control knob Ø20x12 black            |
| 69              | SL330000370 | Black plastic nut M10X1 height 3           |
| 70              | SL320002631 | Electronic board GS 1 BRS                  |
| 71              | IC541000418 | O-ring 1,78x11,11 SL 60 114 red            |
| 72              | SL310005969 | Evaporator internal probe plug (PLAST.)    |

| N°              | Codice      | Descrizione  |
|-----------------|-------------|--|
| 1               | SL320000874 | Coperchio Nero                                     |
| 2               | SL340000541 | Vasca 5 litri                                      |
| 3               | SL3GS12043D | Perno rubinetto Nero                               |
| 4               | SL3GS12086C | Leva rubinetto Nera                                |
| 5               | SL320001401 | Molla rubinetto                                    |
| 6               | SL310001843 | Guarnizione Ø15 x Ø2 silicone - rossa              |
| 7               | SL310001367 | Corpo rubinetto                                    |
| 8               | SL320001758 | Guarnizione rubinetto                              |
| 9               | SL320000840 | Pannello sinistro                                  |
| 10              | SL320000882 | Pannello anteriore                                 |
| 11              | SL340000502 | Vaschetta sgocciolio completa Nera                 |
| 11 <sub>1</sub> | SL300970263 | Griglia vaschetta GB - nera                        |
| 11 <sub>2</sub> | SL300970262 | Vaschetta scarico GB - nera                        |
| 12              | SL30PZ12NT8 | Tube scarico silicone 8x12 x mts.                  |
| 13              | SL300951940 | Otturatore presa elettrica - nero                  |
| 14              | SL320002965 | Supporto evaporatore PZ-2 - nero                   |
| 15              | SL320002964 | Supporto evaporatore GHZ PZ-1 - nero               |
| 16              | SL320002963 | Supporto evaporatore completo GRANISMART - nero    |
| 17              | SL300500133 | Guarnizione evaporatore/vasca                      |
| 18              | SL340001667 | Evaporatore GSM 1 ST2                              |
| 19              | SL320002598 | Boccola sostegno albero GHZ-G5 2M6 V/9             |
| 20              | SL320000795 | Coclea   |
| 21              | SL310003830 | Guarnizione ventosa GHZ GB 2M6 sil.traslu.         |
| 22              | SL300951627 | Tappo piano evaporatore Nero                       |
| 23              | SL310002877 | Pannello post. Compl. GS.1 c/portello              |
| 23 <sub>1</sub> | SL320002419 | Pannello posteriore GS.1 v/portello                |
| 23 <sub>2</sub> | SL310000171 | Dado speciale M4 03-09                             |
| 23 <sub>3</sub> | SL320002420 | Portello pannello posteriore GS.1                  |
| 23 <sub>4</sub> | SL300970274 | Vite GB-10 - nero                                  |
| 24              | SL320002962 | Piano evaporatore Nero                             |
| 25              | SL320000824 | Telaio   |
| 26              | SL320002416 | Pannello destro GSM 1/TS-E                         |
| 27              | SL300951357 | Piede livellatore GHZ-14 V/99                      |
| 28              | SL320000812 | Supporto pannello laterale                         |
| 29              | SL310003935 | Cavo alimentazione TS-E 1 3x1,5 L.2M. Schuko+PA107 |
| 30              | SL320002714 | Coperchio supporto evaporatore GS5 GHZ-14 - nera   |
| 31              | SL3GS12036A | Fermo perno regolazione durezza                    |
| 32              | SL3GS12035A | Perno regolazione durezza                          |
| 33              | SL320000872 | Supporto sensore Nero                              |
| 34              | SL3GS12037B | Boccola perno regolazione durezza                  |
| 35              | SL300950558 | Molla regolazione durezza                          |

| N°              | Codice      | Descrizione                                     |
|-----------------|-------------|---|
| 36              | SL330000366 | Motoriduttore KENTA K9359500 BRS24Vdcø42        |
| 37              | SL310002029 | Raccordo albero trascinamento TMC 06            |
| 38              | SL300950587 | Microinterruttore                               |
| 39              | SL310002027 | Spina inox DIN 1481 Ø4x18                       |
| 40              | SL320002575 | Albero trascinamento GSM G5 TMC 06              |
| 41              | SL300003131 | Interruttore generale luminoso 22x30 verde 230V |
| 42              | SL330000096 | Cappuccio protezione Interruttore 22x30         |
| 43              | SL330000210 | Deviatore nero UL 11x30 SIGN.LUX                |
| 44              | SL330000119 | Cappuccio protezione Interruttore 11x30         |
| 45              | SL38EAE48GL | Bobina elettrovalvola gas CEME 230V 50Hz        |
| 45              | SL310005788 | Bobina elettrovalvola gas OLAB 230V 50Hz        |
| 46              | SL310000429 | Elettrovalvola singola completa CEME 230V 50Hz  |
| 46              | SL310005789 | Elettrovalvola singola completa OLAB 230V 50Hz  |
| 47              | SL330000168 | Condensatore frigo                              |
| 48              | SL330000383 | Trasformatore tor. 230/24 80VA+ACC              |
| 49              | SL320000833 | Boiler  |
| 50              | SL330000173 | Motoventilatore "127 x 127 x 38" 230V - 50/60Hz |
| 51              | SL330000239 | Compressore EMT43HLP 220-240/50 IMQ             |
| 52              | SL340000197 | Condensatore + Filtro GSM1                      |
| 53 <sub>1</sub> | SL310002753 | Relé compressore EMT43HLP 220-240/50 IMQ        |
| 53 <sub>2</sub> | SL310002754 | Salvamotore compressore EMT43HLP 220-240/50 IMQ |
| 54              |             |   |
| 55              | SL310002736 | Sonda temperatura V09 T-E L.1150                |
| 56              | SL310002718 | Termostato elettronico TS-E 12/24V 1S+TEMP      |
| 57              | SL320002414 | Boccola silenblock compressore                  |
| 58              | SL330000384 | Fusibile 5X20 630mA con ritardo                 |
| 59              | SL310001655 | Molla fermo sonda VIP                           |
| 60              | SL320000831 | Filtro 10 GR F.4,9-2,5XH9 Ø16x110               |
| 61              | SL310002825 | Adesivo comandi GS5-1 TS-E BG                   |
| 62              | SL320002585 | Supporto transf. tor. GS 1 EB                   |
| 63              | SL310004778 | Sensore di sicurezza vasca 1 BRS                |
| 64              | SL320000867 | Supporto sensore magnetico bianco GS            |
| 65              | SL320002761 | Supporto interno manopola rotativa GSM1 BRS     |
| 66              | SL320002710 | Adesivo regolatore 3 velocità GSM1 BRS nero     |
| 67              | SL330000369 | Commutatore rotativo (3P)                       |
| 68              | SL330000371 | Comando regolazione velocità Ø20x12 nero        |
| 69              | SL330000370 | Dado plastico nero M10X1 alt.3                  |
| 70              | SL320002631 | Scheda elettronica GS 1 BRS                     |
| 71              | IC541000418 | Guarnizione 1,78x11,11 SL 60 114 rossa          |
| 72              | SL310005969 | Tappo sonda interna evap. (PLAST.)              |



| Nº              | Referencia  | Denominación                                  |
|-----------------|-------------|---|
| 1               | SL320000874 | Tapa - negra                                  |
| 2               | SL340000541 | Depósito GS 5 L. UL + adhesivo mov.           |
| 3               | SL3GS12043D | Pasador leva grifo EURO - negro               |
| 4               | SL3GS12086C | Leva grifo HOSTAF.C2521 TY01 - negra          |
| 5               | SL320001401 | Muelle grifo 8 VTLS Ø1.6                      |
| 6               | SL310001843 | Junta tórica Ø15 x Ø2 silicona - roja         |
| 7               | SL310001367 | Pistón grifo LD - blanco                      |
| 8               | SL320001758 | Junta especial pistón LD - blanca             |
| 9               | SL320000868 | Panel lateral izquierdo GSM2                  |
| 10              | SL320000884 | Panel frontal GSM2                            |
| 11              | SL340000502 | Bandeja goteo + rejilla GB-10 - negra         |
| 11 <sub>1</sub> | SL300970263 | Rejilla goteo GB-10 - negra                   |
| 11 <sub>2</sub> | SL300970262 | Bandeja goteo GB-10 - negra                   |
| 12              | SL30PZ12NT8 | Tubo desagüe silicona 8x12 x mts.             |
| 13              | SL300951940 | Obturador enchufe tapa sop. evap. - negro     |
| 14              | SL310000321 | Soporte evaporador PZ-2 negro                 |
| 15              | SL310000320 | Soporte evaporador PZ-1 - negra               |
| 16              | SL340000477 | Soporte evap. compl. GRANISMART - negro       |
| 17              | SL300500133 | Junta depósito CH-110 V/96                    |
| 18              | SL340001577 | Evaporador GRANISMART 2                       |
| 19              | SL320002598 | Casquillo evaporador GHZ-G5 2M6 V/9           |
| 20              | SL320000795 | Pala espiral                                  |
| 21              | SL310003830 | Junta estanqueidad eje GHZ-GB 2M6 sil.traslu. |
| 22              | SL300951627 | Tapón bandeja superior - negro                |
| 23              | SL320000875 | Bandeja superior - negra                      |
| 24              | SL320000806 | Soporte bandeja superior                      |
| 25              | SL320000810 | Panel trasero GSM2                            |
| 26              | SL320000773 | Chasis  |
| 27              | SL320002417 | Panel lateral derecho GSM2 TS-E               |
| 28              | SL300951357 | Pie nivelador GHZ-14 V/99                     |
| 29              | SL320000812 | Soporte panel lateral                         |
| 30              | SL320000784 | Filtro receptor gas                           |
| 31              | SL320000778 | Filtro deshidratador                          |
| 32              | SL310003935 | Manguera TS-E 1 3x1,5 L.2M.SCHUKO+PA107       |
| 33              | SL330000169 | Condensador GS 5x2 D77674                     |
| 34              | SL320002714 | Tapa soporte evaporador GS5 GHZ-14 - negra    |
| 35              | SL3GS12036A | Sujeción sistema regulación GHZ               |
| 36              | SL3GS12035A | Vástago regulación                            |
| 37              | SL320000872 | Soporte sensor - negro                        |
| 38              | SL3GS12037B | Guía muelle sistema regulación GHZ            |
| 39              | SL300950558 | Muelle regulación                             |
| 40              | SL330000366 | Motorreductora KENTA K9359500 BRS24VdcØ42     |

| Nº              | Referencia  | Denominación                                 |
|-----------------|-------------|--|
| 41              | SL310002029 | Racord eje transmisión TMC 06                |
| 42              | SL310002027 | Pasador inox DIN 1481 Ø4x18                  |
| 43              | SL300950587 | Minirruptor completo GHZ V/99                |
| 44              | SL320002575 | Eje transmisión GSM G5 TMC 06                |
| 45              | SL38EAE48GL | Bobina electroválvula gas CEME 230V 50Hz     |
| 45              | SL310005788 | Bobina electroválvula gas OLAB 230V 50Hz     |
| 46              | SL3GS24711B | Electroválvula doble completa CEME 230V 50Hz |
| 46              | SL310005790 | Electroválvula doble completa OLAB 230V 50Hz |
| 47              | SL320000783 | Soporte electroválvulas                      |
| 48              | SL300003131 | Interruptor general Verde I/O Lum.           |
| 49              | SL330000096 | Protector interruptor 22x30                  |
| 50              | SL330000209 | Interruptor negro UL 11x30 SIGNAL LUX        |
| 51              | SL330000210 | Conmutador negro UL 11x30 SIGN.LUX           |
| 52              | SL3GS36054A | Clip engancho panel lateral GS               |
| 53              | SL320000787 | Tubo pre-capilar                             |
| 54              | SL310002739 | Transformador 230/12 3VA (TA 60°) ENEC       |
| 55              | SL330000171 | Hélice ventilador Ø200/34°                   |
| 56              | SL330000213 | Motoventilador 10W 230-240/50-60             |
| 57              | SL310002672 | Compresor EMT2125GK 220/50                   |
| 58              | SL340000513 | Grupo condensador completo GRANISMART 2      |
| 59 <sub>1</sub> | SL310002853 | Relé compresor EMT2125GK 220/50              |
| 59 <sub>2</sub> | SL310002854 | Clixon compresor EMT2125GK 220/50            |
| 59 <sub>3</sub> | SL310002985 | Condensador compresor EMT2125GK 220/50       |
| 60              | SL310005969 | Tapón sonda interna evap. (PLAST.)           |
| 61              | SL310002736 | Sonda temperatura TS-E L.1150                |
| 62              | SL310005393 | Termostato electrónico TS-E 12V prog. 2S     |
| 63              | SL330000119 | Protector interruptor 11x30                  |
| 64              | SL310002832 | Condensador 0'022 mF 275V                    |
| 65              | SL310002830 | Adhesivo mandos GS5-2 TS-E BG                |
| 66              | SL310001655 | Muelle sujeción sonda VIP                    |
| 67              | SL330000383 | Transformador tor./PMA 230/24 80 VA+ACC.     |
| 68              | SL330000384 | Fusible cristal 5x20 630mA retardado         |
| 69              | SL320002791 | Soporte transf. tor. GSM2 BRS                |
| 70              | SL310004778 | Sensor segur. dep.1 cableado BRS             |
| 71              | SL320000867 | Sujeción sensor magnético blanco GS          |
| 72              | SL320002793 | Soporte int.mand.rotativo GSM2 BRS           |
| 73              | SL320002710 | Adhesivo reg.3 velocidades GSM1 BRS negro    |
| 74              | SL330000369 | Conmutador rotativo (3P)                     |
| 75              | SL330000370 | Tuerca plástico negra M10X1 alt.3            |
| 76              | SL330000371 | Mando regulación velocidad Ø20x12 negro      |
| 77              | SL320002631 | Placa electrónica GS 1 BRS                   |
| 78              | IC541000418 | Junta tórica 1,78x11,11 SL 60 114 roja       |

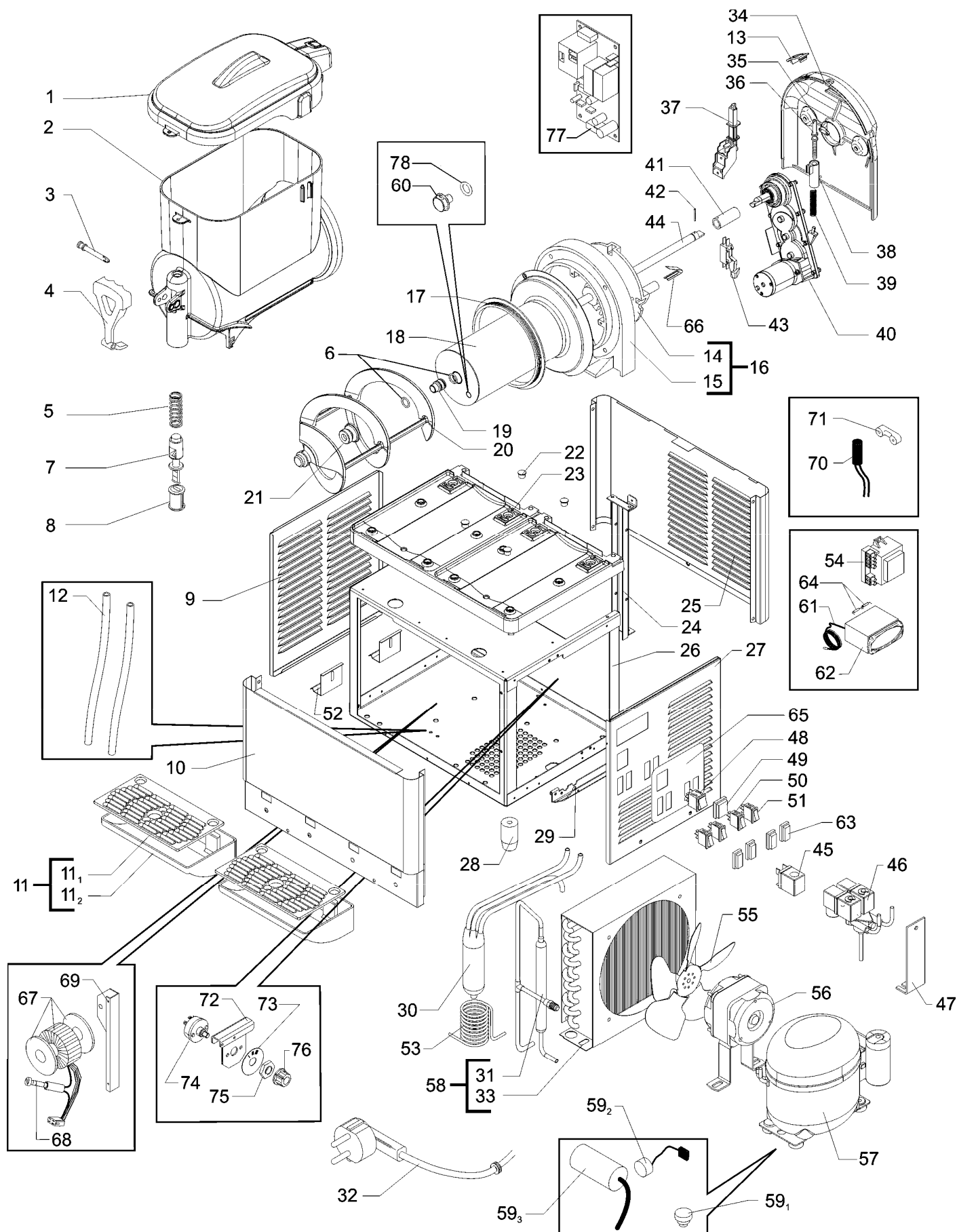
| N°              | Reference   | Description                                    |
|-----------------|-------------|--|
| 1               | SL320000874 | Cover - Black                                  |
| 2               | SL340000541 | Bowl   |
| 3               | SL3GS12043D | Spigot pin - Black                             |
| 4               | SL3GS12086C | Spigot handle HOSTAF.C2521 TY01 - Black        |
| 5               | SL320001401 | Spigot spring                                  |
| 6               | SL310001843 | O-ring Ø15 x Ø2 silicone - Red                 |
| 7               | SL310001367 | Spigot plunger                                 |
| 8               | SL320001758 | Gasket spigot                                  |
| 9               | SL320000868 | Left panel GSM2                                |
| 10              | SL320000884 | Front panel GSM2                               |
| 11              | SL340000502 | Drip tray assy - Black                         |
| 11 <sub>1</sub> | SL300970263 | Screen for leaking GB - black                  |
| 11 <sub>2</sub> | SL300970262 | Tray for leaking GB - black                    |
| 12              | SL30PZ12NT8 | Drain pipe silicone 8x12 x mts.                |
| 13              | SL300951940 | Padlock  |
| 14              | SL310000321 | Evaporator support pz. 2 - Black               |
| 15              | SL310000320 | Evaporator support pz. 1 - Black               |
| 16              | SL340000477 | Evaporator support assy - Black                |
| 17              | SL300500133 | Evap-/bowl rear gasket                         |
| 18              | SL340001577 | Evaporation device GRANISMART 2                |
| 19              | SL320002598 | Shaft supporting bushing GHZ-G5 2M6 V/9        |
| 20              | SL320000795 | Auger spiral                                   |
| 21              | SL310003830 | Watertight shaft joint GHZ GB 2M6 sil.translu. |
| 22              | SL300951627 | Evaporator tray bung - Black                   |
| 23              | SL320000875 | Evaporator tray - Black                        |
| 24              | SL320000806 | Evaporator tray support                        |
| 25              | SL320000810 | Rear panel GSM2                                |
| 26              | SL320000773 | Chassis  |
| 27              | SL320002417 | Right panel GSM2 TS-E                          |
| 28              | SL300951357 | Robber foot GHZ-14 V/99                        |
| 29              | SL320000812 | Side panel support                             |
| 30              | SL320000784 | Receiver                                       |
| 31              | SL320000778 | Dryer  |
| 32              | SL310003935 | Power cable TS-E 1 3x1,5 L.2M.SCHUKO+PA107     |
| 33              | SL330000169 | Condenser                                      |
| 34              | SL320002714 | Evaporator support cover GS5 GHZ-14 - Black    |
| 35              | SL3GS12036A | Hardness control pin catch                     |
| 36              | SL3GS12035A | Hardness control pin                           |
| 37              | SL320000872 | Sensor support - Black                         |
| 38              | SL3GS12037B | Hardness control pin bushing                   |
| 39              | SL300950558 | Torque compression spring (1.1 Blan)           |
| 40              | SL330000366 | Gear motor KENTA K9359500 BRS24Vdcø42          |

| N°              | Reference   | Description                                      |
|-----------------|-------------|--|
| 41              | SL310002029 | Transmission shaft racor TMC 06                  |
| 42              | SL310002027 | Stainless steel blade pin DIN 1481 Ø4x18         |
| 43              | SL300950587 | Limit switch                                     |
| 44              | SL320002575 | Drive shaft for spiral GSM G5 TMC 06             |
| 45              | SL38EAE48GL | Gas electrovalve bobbin CEME 230V 50Hz           |
| 45              | SL310005788 | Gas electrovalve bobbin OLAB 230V 50Hz           |
| 46              | SL3GS24711B | Full double electrovalve CEME 230V 50Hz          |
| 46              | SL310005790 | Full double electrovalve OLAB 230V 50Hz          |
| 47              | SL320000783 | Solenoid valve support                           |
| 48              | SL300003131 | General switch green I/O lighted                 |
| 49              | SL330000096 | Cover protection for switch 22x30                |
| 50              | SL330000209 | Black switch UL 11x30 SIGNAL LUX                 |
| 51              | SL330000210 | Black change-over switch UL 11x30 SIGNAL LUX     |
| 52              | SL3GS36054A | Clip hooking side panel                          |
| 53              | SL320000787 | Pre-capillary pipe                               |
| 54              | SL310002739 | Transformator 230/12 3VA (TA 60°) ENEC           |
| 55              | SL330000171 | Fan blade VA Ø200/34° (For mod. 230/240V - 50Hz) |
| 56              | SL330000213 | Fan motor 230/240V - 50/60Hz "10W"               |
| 57              | SL310002672 | Compressor EMT2125GK 220/50                      |
| 58              | SL340000513 | Condenser group assy                             |
| 59 <sub>1</sub> | SL310002853 | Compressor relay EMT2125GK 220/50                |
| 59 <sub>2</sub> | SL310002854 | Compressor clixon EMT2125GK 220/50               |
| 59 <sub>3</sub> | SL310002985 | Compressor condenser EMT2125GK 220/50            |
| 60              | SL310005969 | Evaporator internal probe plug (PLAST.)          |
| 61              | SL310002736 | Temperature probe TS-E L.1150                    |
| 62              | SL310005393 | Electronic thermostat TS-E 12V prog. 2S          |
| 63              | SL330000119 | Cover protection for switch 11x30                |
| 64              | SL310002832 | Condenser 0'022 mF 275V                          |
| 65              | SL310002830 | Command adhesive GS5-2 TS-E BG                   |
| 66              | SL310001655 | Subjection probe spring                          |
| 67              | SL330000383 | Toroidal transformer/PMA 230/24 80 VA+ACC.       |
| 68              | SL330000384 | Fuse 5X20 630mA time-delayed                     |
| 69              | SL320002791 | Toroidal transformer support GSM2 BRS            |
| 70              | SL310004778 | Sensor wiring safety tank BRS                    |
| 71              | SL320000867 | Holding magnetic sensor GS white                 |
| 72              | SL320002793 | Support internal rotary control GSM2 BRS         |
| 73              | SL320002710 | Adhesive 3 speed regulator GSM1 BRS black        |
| 74              | SL330000369 | Rotary switch (3P)                               |
| 75              | SL330000370 | Black plastic nut M10X1 height 3                 |
| 76              | SL330000371 | Speed control knob Ø20x12 black                  |
| 77              | SL320002631 | Electronic board GS 1 BRS                        |
| 78              | IC541000418 | O-ring 1,78x11,11 SL 60 114 red                  |

| N°              | Codice      | Descrizione                                       |
|-----------------|-------------|---|
| 1               | SL320000874 | Coperchio Nero                                    |
| 2               | SL340000541 | Vasca 5 litri                                     |
| 3               | SL3GS12043D | Spina leva rubinetto EURO - nera                  |
| 4               | SL3GS12086C | Leva rubinetto HOSTAF.C2521 TY01 - nera           |
| 5               | SL320001401 | Molla cilindrica rubinetto                        |
| 6               | SL310001843 | Guarnizione Ø15 x Ø2 silicone - rossa             |
| 7               | SL310001367 | Corpo rubinetto                                   |
| 8               | SL320001758 | Guarnizione rubinetto                             |
| 9               | SL320000868 | Pannello sinistro GSM2                            |
| 10              | SL320000884 | Pannello anteriore GSM2                           |
| 11              | SL340000502 | Vaschetta sgocciolio completa Nera                |
| 11 <sub>1</sub> | SL300970263 | Griglia vaschetta GB - nera                       |
| 11 <sub>2</sub> | SL300970262 | Vaschetta scarico GB - nera                       |
| 12              | SL30PZ12NT8 | Tubo scarico condensa silicone 8x12 x mts.        |
| 13              | SL300951940 | Lucchetto   |
| 14              | SL310000321 | Supporto evaporatore. pz. 2 Nero                  |
| 15              | SL310000320 | Supporto evaporatore GHZ PZ-1 - nero              |
| 16              | SL340000477 | Supporto evaporatore completo Nero                |
| 17              | SL300500133 | Guarnizione evaporatore/vasca                     |
| 18              | SL340001577 | Evaporatore GRANISMART 2                          |
| 19              | SL320002598 | Boccola sostegno albero GHZ-G5 2M6 V/9            |
| 20              | SL320000795 | Coclea  |
| 21              | SL310003830 | Guarnizione ventosa GHZ GB 2M6 sil.traslu.        |
| 22              | SL300951627 | Tappo piano evaporatore Nero                      |
| 23              | SL320000875 | Piano evaporatore Nero                            |
| 24              | SL320000806 | Supporto piano evaporatore                        |
| 25              | SL320000810 | Pannello posteriore GSM2                          |
| 26              | SL320000773 | Telaio  |
| 27              | SL320002417 | Pannello destro GSM2 TS-E                         |
| 28              | SL300951357 | Piedini livellamento GHZ-14 V/99                  |
| 29              | SL320000812 | Supporto pannello laterale                        |
| 30              | SL320000784 | Boiler  |
| 31              | SL320000778 | Filtro  |
| 32              | SL310003935 | Cavo alimentazione TS-E 1 3x1,5 L.2M.SCHUKO+PA107 |
| 33              | SL330000169 | Condensatore frigo GS2 D77674                     |
| 34              | SL320002714 | Coperchio supporto evaporatore GS5 GHZ-14 - nera  |
| 35              | SL3GS12036A | Supporto sistema regolazione GHZ                  |
| 36              | SL3GS12035A | Perno regolazione durezza                         |
| 37              | SL320000872 | Supporto sensore Nero                             |
| 38              | SL3GS12037B | Guida molla regolazione GHZ                       |
| 39              | SL300950558 | Molla regolazione durezza (1,1 Blan)              |
| 40              | SL330000366 | Motoriduttore KENTA K9359500 BRS24Vdcø42          |

| N°              | Codice      | Descrizione                                    |
|-----------------|-------------|--|
| 41              | SL310002029 | Raccordo albero trascinamento TMC 06           |
| 42              | SL310002027 | Spina inox DIN 1481 Ø4x18                      |
| 43              | SL300950587 | Microinterruttore completo GHZ V/99            |
| 44              | SL320002575 | Albero Trascinamento coclea GSM G5 TMC 06      |
| 45              | SL38EAE48GL | Bobina elettrovalvola gas CEME 230V 50Hz       |
| 45              | SL310005788 | Bobina elettrovalvola gas OLAB 230V 50Hz       |
| 46              | SL3GS24711B | Elettrovalvola doppia completa CEME 230V 50Hz  |
| 46              | SL310005790 | Elettrovalvola doppia completa OLAB 230V 50Hz  |
| 47              | SL320000783 | Supporto elettrovalvola                        |
| 48              | SL300003131 | Interruttore generale luminoso 22x30 verde     |
| 49              | SL330000096 | Cappuccio protezione Interruttore 22x30        |
| 50              | SL330000209 | Interruttore nero UL 11x30 SIGNAL LUX          |
| 51              | SL330000210 | Deviatore nero UL 11x30 SIGNAL LUX             |
| 52              | SL3GS36054A | Clips aggancio pannello laterale               |
| 53              | SL320000787 | Tubo precapillare                              |
| 54              | SL310002739 | Transformatore 230/12 3VA (TA 60°) ENEC        |
| 55              | SL330000171 | Ventola VA Ø200/34° (Per mod. 230/240V - 50Hz) |
| 56              | SL330000213 | Motoventilatore 10W 230-240/50-60              |
| 57              | SL310002672 | Compressore EMT2125GK 220/50                   |
| 58              | SL340000513 | Gruppo condensatore assiemato                  |
| 59 <sub>1</sub> | SL310002853 | Relé compressore EMT2125GK 220/50              |
| 59 <sub>2</sub> | SL310002854 | Salvamotore compressore EMT2125GK 220/50       |
| 59 <sub>3</sub> | SL310002985 | Condensatore compressore EMT2125GK 220/50      |
| 60              | SL310005969 | Tappo sonda interna evap. (PLAST.)             |
| 61              | SL310002736 | Sonda temperatura TS-E L.1150                  |
| 62              | SL310005393 | Termostato elettronico TS-E 12V prog.2S        |
| 63              | SL330000119 | Cappuccio protezione Interruttore 11x30        |
| 64              | SL310002832 | Condensatore 0'022 mF 275V                     |
| 65              | SL310002830 | Adesivo comandi GS5-2 TS-E BG                  |
| 66              | SL310001655 | Molla fermo sonda                              |
| 67              | SL330000383 | Transformatore tor./PMA 230/24 80 VA+ACC.      |
| 68              | SL330000384 | Fusibile 5X20 630mA con ritardo                |
| 69              | SL320002791 | Supporto transf. tor. GSM2 BRS                 |
| 70              | SL310004778 | Sensore di sicurezza vasca 1 BRS               |
| 71              | SL320000867 | Supporto sensore magnetico bianco GS           |
| 72              | SL320002793 | Supporto interno manopola rotativa GSM2 BRS    |
| 73              | SL320002710 | Adesivo regolatore 3 velocità GSM1 BRS nero    |
| 74              | SL330000369 | Commutatore rotativo (3P)                      |
| 75              | SL330000370 | Dado plastico nero M10X1 alt.3                 |
| 76              | SL330000371 | Comando regolazione velocità Ø20x12 nero       |
| 77              | SL320002631 | Scheda elettronica GS 1 BRS                    |
| 78              | IC541000418 | Guarnizione 1,78x11,11 SL 60 114 rossa         |









**GRANISMART 1 BRS TS-E 230V 50Hz CE BLACK**  
**GRANISMART 2 BRS TS-E 230V 50Hz CE BLACK**

**SL8GS051215V06**  
**SL8GS052215V01**