

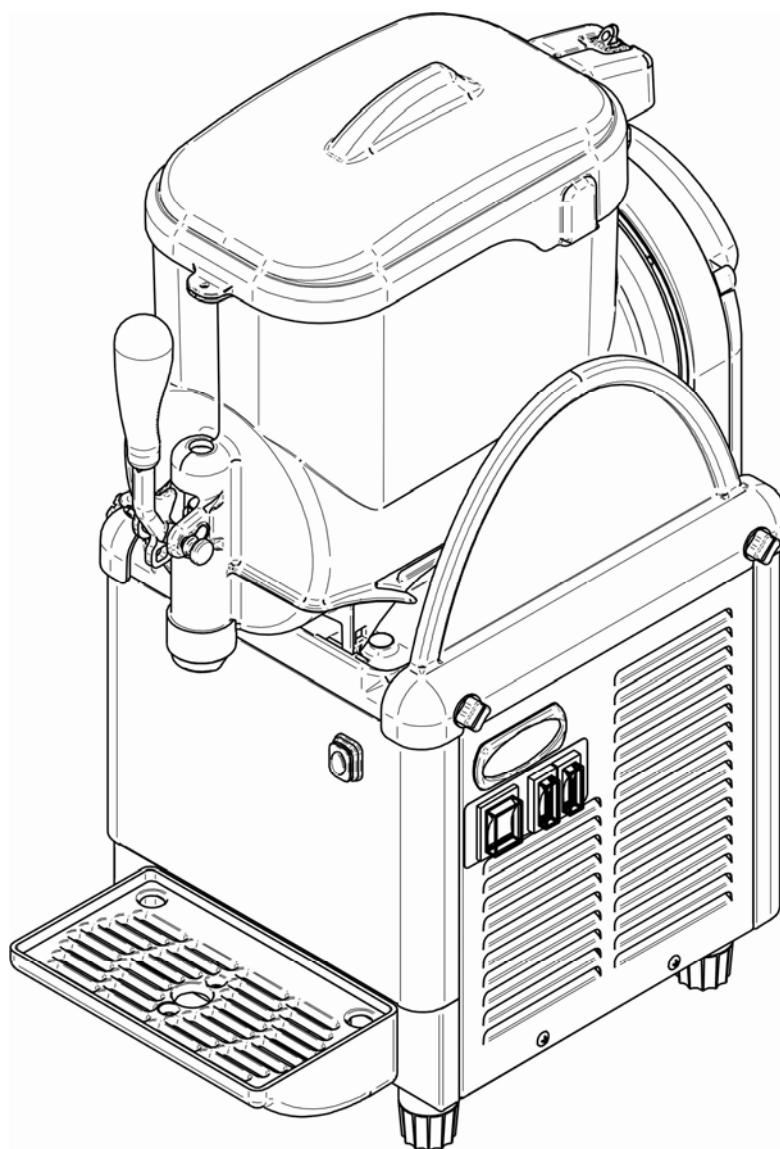
LISTA DE PIEZAS DE RECAMBIO
LIST OF COMPONENTS PARTS
LISTA RICAMBI

GRANIZADORA DE BANCO
GRANITA MACHINE
GRANITORE DA BANCO

GRANISMART 1 EVO 230/50 TOTAL WHITE

Ref.: SL8GS051297

230 V. / 50 Hz.



LISTA DE PIEZAS

| Nº | Referencia | Denominación |
|-----------------|-------------|---|
| 1 | SL320000815 | TAPA DEPÓSITO GS BLANCA |
| 2 | SL340001675 | DEPÓSITO GS 5 LT + ADHESIVO GSM EVO/MX5 |
| 3 | SL300951293 | PASADOR LEVA GRIFO EURO BLANCO |
| 4 | SL300951606 | LEVA GRIFO GHZ PULL BLANCA |
| 5 | SL320001401 | MUELLE CILINDRICO GRIFO 8 VTLS ø1.6 |
| 6 | SL320002858 | REDUCTOR GRIFO A ESTRELLA |
| 7 | SL310001367 | PISTON GRIFO LABIO DOBLE BLANCO |
| 8 | SL320001758 | JUNTA ESPECIAL PISTON LABIO DOBLE BLANCA |
| 9 | SL320002424 | PANEL IZQUIERDO ALUM. BLANCO GSM 1 |
| 10 | SL310006383 | CONJUNTO PANEL FRONTAL ALUM.BLANCO GSM 1 EVO |
| 11 | SL340000623 | BANDEJA GOTEÓ + REJILLA GT BLANCA Ty05 |
| 11 ₁ | SL320001012 | REJILLA GOTEÓ GT BLANCA ABS |
| 11 ₂ | SL320001011 | BANDEJA GOTEÓ GT BLANCA |
| 12 | SL310004624 | TUBO DESAGÜE SILIC.ALIM ø8xø12 L.290mm. |
| 13 | SL330000195 | PULSADOR SIGNAL LUX BLANCO/ROJO |
| 14 | SL320000788 | SOPORTE EVAP. PZ-2 GS BLANCO |
| 15 | SL310005918 | SOPORTE EVAP. GHZ PZ-1 GSM EVO BL |
| 16 | SL310005916 | CONJUNTO SOPORTE EVAP. PZ-1 + PZ-2 GSM 1 EVO BLANCO |
| 17 | SL300500133 | JUNTA EVAPORADOR CH-110 V/96 / GS.5 |
| 18 | SL310005914 | EVAPORADOR GSM 1 EVO COMPL. (1X3000) |
| 19 | SL320002598 | CASQUILLO ESTANQUEIDAD EVAP.GHZ-G5 2M6 V/9 |
| 20 | SL310005941 | PALA ESPIRAL GRANISMART EVO |
| 21 | SL310003830 | JUNTA ESTANQUEIDAD EJE GHZ-GB 2M6 SIL.TRANSLU. |
| 22 | SL300950069 | TAPON BANDEJA SUP.GHZ/SPIN BLANCO |
| 23 | SL310005926 | CONJUNTO PANEL TRASERO GSM 1 EVO C/P.BLANCO |
| 23 ₁ | SL310005927 | PANEL TRASERO ALUM. BLANCO GSM1 EVO V/P. |
| 23 ₂ | SL310000171 | TUERCA ENJAUADA M4 03-09 |
| 23 ₃ | SL310005928 | PUERTA PANEL TRASERO ALUM.BLANCO GSM1 EVO |
| 23 ₄ | SL300970090 | TORNILLO GRIFO GB-10 BLANCO |
| 24 | SL320000794 | BANDEJA SUPERIOR GS 1 BLANCA |
| 25 | SL310005908 | CHASIS GSM 1 EVO |
| 26 | SL320003126 | PANEL DERECHO ALUM.BLANCO GSM 1 EVO |
| 27 | SL300951357 | PIE NIVELADOR GHZ-14 V/99 |
| 28 | SL320000812 | SOPORTE PANEL LATERAL GS |
| 29 | SL310003935 | MANGUERA 3x1,5 2M.SCHUKO + PA107 GS 1/2/3 FB4 |
| 30 | SL310004348 | TAPA SOPORTE EVAP.GS. SENC. BLANCA |
| 31 | SL300951191 | OBTURADOR ENCHUFE TAPA SOP. EVAP. BLANCO |
| 32 | SL300951394 | OBTURADOR VASTAGO TAPA SOP. EVAP. BLANCO |
| 33 | SL320000805 | SOPORTE SENSOR BLANCO GS |
| 34 | SL310001843 | JUNTA TORICA Ø15 x Ø2 SIL.ALIM. ROJA |
| 35 | SL300951921 | TORNILLO ZINC D-7981 B 3,9x13 |
| 36 | SL310005899 | MOTORREDUCTORA BRS 24Vdcø42 70rpm VERNIS |
| 37 | SL320002576 | EJE TRANSMISIÓN COMPLETO GSM G5 TMC 06 |
| 38 | SL310002853 | RELÉ COMPRESOR EMT 2125 GK 220/50 |
| 39 | SL310005969 | TAPON Sonda INTERNA FRONTAL (PLAST.) |
| 40 | IC541000418 | JUNTA TÓRICA 1,78 11,11 SL 60 ROJO |
| 41 | SL300003131 | INTERRUPTOR GENERAL VERDE 22x30 |
| 42 | SL330000096 | PROTECTOR INTERRUPTOR 22x30 SERIE 52 |
| 43 | SL330000210 | CONMUTADOR NEGRO UL 11x30 SIGN.LUX |
| 44 | SL330000119 | PROTECTOR INTERRUPTOR 11x30 |

| Nº | Referencia | Denominación |
|----|-------------|--|
| 45 | SL38EAE48GL | BOBINA ELECTROVÁLVULA GAS CEME 230V 50Hz |
| 45 | SL310005788 | BOBINA ELECTROVÁLVULA GAS OLAB 230V 50Hz |
| 46 | SL310000429 | ELECTROVÁLVULA SIMPLE COMPLETA CEME 230V 50Hz |
| 46 | SL310005789 | ELECTROVÁLVULA SIMPLE COMPLETA OLAB 230V 50Hz |
| 47 | SL320003043 | CONDENSADOR D90568 (GSM1 EVO) |
| 48 | SL310005936 | TRANSFORMADOR TOROIDALCOMPL./PMA 230/24120A+ACC. |
| 49 | SL320000833 | EXPANSIONADOR GRANISMART 1 COMPL |
| 50 | SL330000173 | MOTOVENTILADOR 127x127x38 230/50 GS 5x1,GHZ-97 |
| 51 | SL310002672 | COMPRESOR EMT2125GK 220/50 |
| 52 | SL310005910 | CONDENSADOR + FILTRO GSM 1 EVO 230/50 |
| 53 | SL330000182 | TORNILLO ZINC D-6921 M4X50 |
| 54 | SL310002854 | CLIXON COMPRESOR EMT 2125GK 220/50 |
| 55 | SL310002736 | SONDA TEMPERATURA TS-E L.1150 |
| 56 | SL310005910 | DISPLAY GSM 1 EVO |
| 57 | SL320002414 | CASQUILLO EXT.SILENBLOCK COMPR.GS 1 |
| 58 | SL310005937 | FUSIBLE 5X20 T1.6 A 250V RETARDADO |
| 59 | SL310005968 | SUJECCIÓN Sonda INTERNA FRONTAL |
| 60 | SL320000831 | FILTRO 10 GR.F.4,9-2,5XH9 Ø16x110 |
| 61 | SL310006736 | PANEL DERECHO ALUM. BLANCO GSM1 EVO + ADHES |
| 62 | SL320002585 | SOPORTE TRANSFORMADOR GS 1 EB |
| 63 | SL310004778 | SENSOR SEGURIDAD DEP. 1 CABLEADO BRS |
| 64 | SL320000867 | SUJECION SENSOR MAGNETICO BLANCO GS |
| 65 | SL320003129 | CUBIERTA PANEL LATERAL BLANCA GSM 1 EVO |
| 66 | SL310005898 | TRANSFORMADOR TOROIDAL/PMA 230/24 120 VA 1sec |
| 67 | SL330000381 | DISCO GOMA 60x4x1 TRANSF.PMA 230/24 80VA |
| 68 | SL330000382 | DISCO PROTECTOR TRANSFORMADOR PMA 230/24 80 VA |
| 69 | IC511310670 | TORNILLO ZINC D-933 M6X70 |
| 70 | SL310005900 | PLACA ELECTRONICA GSM 1 EVO |
| 71 | SL320002695 | JUNTA ESTANQUEIDAD TS-E |
| 72 | SL310005922 | ADHESIVO MANDOS GSM 1 EVO |
| 73 | SL300970336 | CONMUTADOR NEGRO I-II SP.USA |
| 74 | SL310002925 | CONDENSADOR COMPRESOR EMT2125GK 220/50 |
| 75 | SL310004866 | DISTANCIADOR LIBERABLE 12,57xø4,75xø4 UL 94V2 |
| 76 | SL300009227 | TORNILLO ZINC D-933 M4X45 |
| 77 | SL300002246 | ARANDELA DENTADA ZINC D-6798A M4 |
| 78 | SL31JEMG060 | TUERCA ZINC D-934 M6 |
| 79 | SL300000254 | ARANDELA ZINC DIN 9021 M6 |
| 80 | SL300950441 | TORNILLO ZINC D-933 M6x30 |
| 81 | SL310002832 | CONDENSADOR 0'022 mF 275V |
| 82 | SL330000118 | TORNILLO NIQ. D-7500-C B-3,5 x 9,5 BZ |
| 83 | SL38WBPA107 | PASACABLE PA107 |
| 84 | SL300000861 | ARANDELA ZINC D-9021 M4 |
| 85 | SL31JTMG040 | TUERCA ZINCADA DIN-6923 M4 CON ARANDELA |
| 86 | SL310005919 | REFUERZO SOPORTE EVAP. DERECHO GSM1 EVO |
| 87 | SL310006299 | REFUERZO SOPORTE EVAP. IZQUIERDO GSM1 EVO |
| 88 | SL31KD06M12 | ARANDELA ZINC D-125 M6 |
| 89 | SL31JDMG060 | TUERCA ZINC D-985 M6 |
| 90 | SL300002718 | TORNILLO INOX D-7985 M6x10 |
| 91 | SL300310110 | TORNILLO LATON D-86 M4x10 |
| 92 | SL310005930 | TAPA INTERNA DEPÓSITO GSM EVO |

LIST OF COMPONENTS PARTS

| N° | Reference | Description |
|-----------------|-------------|--|
| 1 | SL320000815 | TANK COVER GS WHITE |
| 2 | SL340001675 | TANK GS 5 LT + ADHESIVE GSM EVO/MX5 |
| 3 | SL300951293 | SPIGOT DISPENSING HANDLE PIN EURO WHITE |
| 4 | SL300951606 | SPIGOT DISPENSING HANDLE GHZ PULL WHITE |
| 5 | SL320001401 | SPIGOT CILINDRICAL SPRING 8 VTL5 ø1.6 |
| 6 | SL320002858 | REDUCER-TO-STAR SPIGOT COMPLEMENT |
| 7 | SL310001367 | LD SPIGOT PLUNGER WHITE |
| 8 | SL320001758 | LD SPIGOT PLUG WHITE |
| 9 | SL320002424 | LEFT SIDE PANEL ALUM. WHITE GSM 1 |
| 10 | SL310006383 | FULL FRONT PANEL ALUM. WHITE GSM 1 EVO |
| 11 | SL340000623 | DRIP TRAY SET GT WHITE Ty05 |
| 11 ₁ | SL320001012 | DRIP SCREEN GT WHITE ABS |
| 11 ₂ | SL320001011 | DRIP TRAY GT WHITE |
| 12 | SL310004624 | DRAIN PIPE SILIC.ALIM ø8xø12 L.290mm. |
| 13 | SL330000195 | SWITCH SIGNAL LUX WHITE/RED |
| 14 | SL320000788 | EVAPORATOR SUPPORT PZ-2 GS WHITE |
| 15 | SL310005918 | EVAPORATOR SUPPORT GHZ PZ-1 GSM EVO WHITE |
| 16 | SL310005916 | EVAPORATOR SUPPORT SET PZ-1 + PZ-2 GSM 1 EVO WHITE |
| 17 | SL300500133 | EVAPORATOR JOINT CH-110 V/96 / GS.5 |
| 18 | SL310005914 | EVAPORATOR SET GSM 1 EVO (1X3000) |
| 19 | SL320002598 | EVAPORATOR SEAL GASKET GHZ-G5 2M6 V/9 |
| 20 | SL310005941 | SPIRAL SHOVEL GRANISMART EVO |
| 21 | SL310003830 | SHAFT SEAL JOINT GHZ-GB 2M6 SIL.TRANSLU. |
| 22 | SL300950069 | UPPER TRAY TAP GHZ/SPIN WHITE |
| 23 | SL310005926 | REAR PANEL SET GSM 1 EVO C/P.WHITE |
| 23 ₁ | SL310005927 | REAR PANEL ALUM.BL.GSM1 EVO V/P. |
| 23 ₂ | SL310000171 | SPECIAL NUT M4 03-09 |
| 23 ₃ | SL310005928 | REAR PANEL DOOR ALUM. WHITE GSM1 EVO |
| 23 ₄ | SL300970090 | TAP SCREW GB-10 WHITE |
| 24 | SL320000794 | EVAPORATOR TRAY GS 1 WHITE |
| 25 | SL310005908 | CHASSIS GSM 1 EVO |
| 26 | SL320003126 | RIGHT SIDE PANEL ALUM. WHITE GSM 1 EVO |
| 27 | SL300951357 | LEVELING FOOT GHZ-14 V/99 |
| 28 | SL320000812 | SIDE PANEL SUPPORT GS |
| 29 | SL310003935 | POWER CABLE 3x1,5 2M.SCHUKO + PA107 GS 1/2/3 FB4 |
| 30 | SL310004348 | EVAPORATOR SUPPORT COVER GS.SENC. WHITE |
| 31 | SL300951191 | EVAP. SUPPORT COVER SWITCH OBTURATOR WHITE |
| 32 | SL300951394 | EVAP. SUPPORT COVER ROD OBTURATOR WHITE |
| 33 | SL320000805 | SENSOR SUPPORT WHITE GS |
| 34 | SL310001843 | O-RING Ø15 x Ø2 SIL.ALIM. RED |
| 35 | SL300951921 | ZINC SCREW D-7981 B 3,9x13 |
| 36 | SL310005899 | GEAR MOTOR BRS 24Vdcø42 70rpm VERNIS |
| 37 | SL320002576 | TRANSMISSION SHAFT SET GSM G5 TMC 06 |
| 38 | SL310002853 | COMPRESSOR RELAY EMT 2125 GK 220/50 |
| 39 | SL310005969 | EVAPORATOR INTERNAL PROBE PLUG (PLAST.) |
| 40 | IC541000418 | O-RING 1,78 11,11 SL 60 RED |
| 41 | SL300003131 | GENERAL SWITCH 22x30 GREEN |
| 42 | SL330000096 | GENERAL SWITCH COVER 22x30 SERIE 52 |
| 43 | SL330000210 | BLACK SWITCH UL 11x30 SIGN.LUX |
| 44 | SL330000119 | BLACK SWITCH COVER 11x30 |

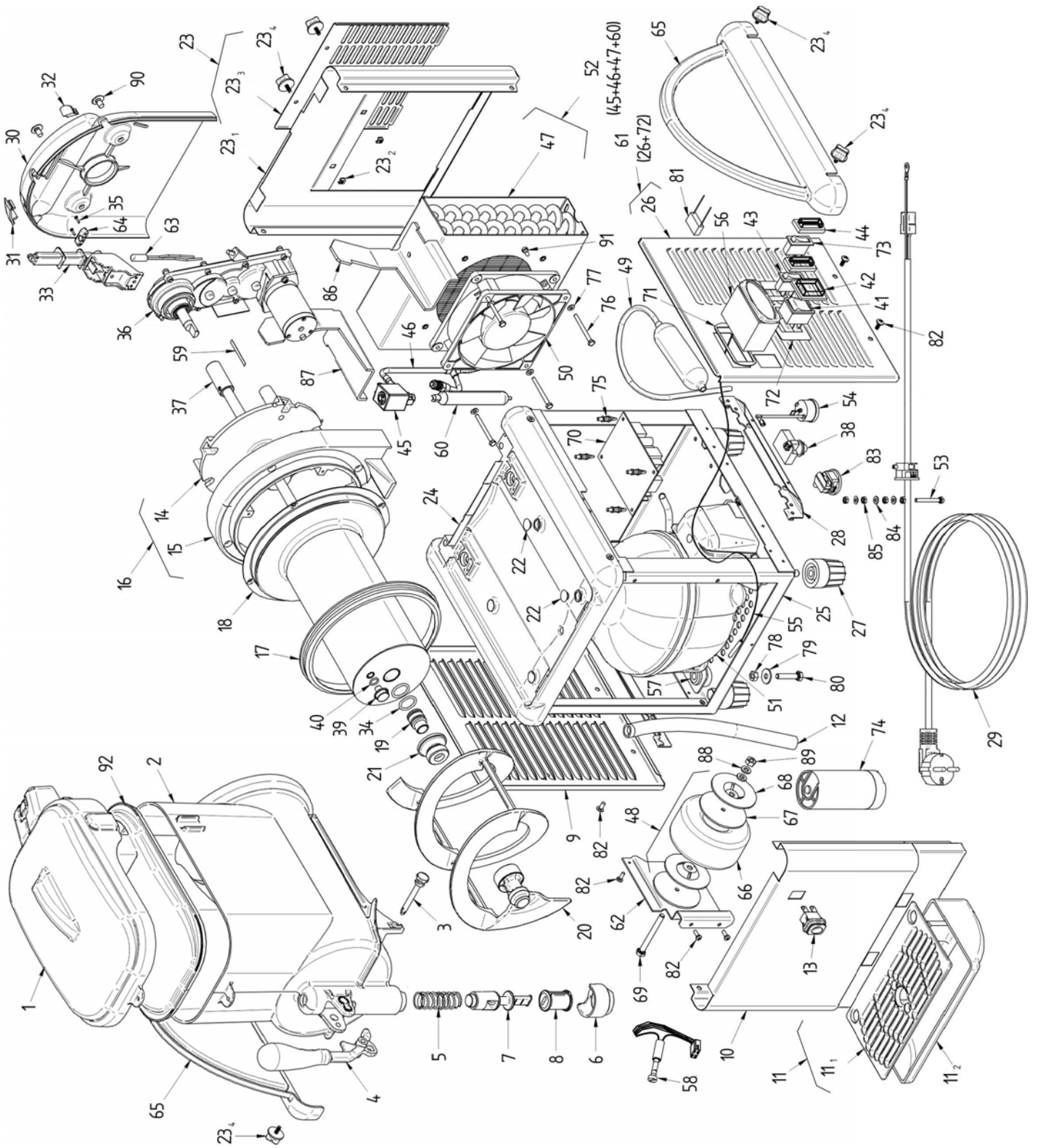
| N° | Reference | Description |
|----|-------------|--|
| 45 | SL38EAE48GL | GAS ELECTROVALVE BOBBIN CEME 230V 50Hz |
| 45 | SL310005788 | GAS ELECTROVALVE BOBBIN OLAB 230V 50Hz |
| 46 | SL310000429 | FULL SINGLE ELECTROVALVE CEME 230V 50Hz |
| 46 | SL310005789 | FULL SINGLE ELECTROVALVE OLAB 230V 50Hz |
| 47 | SL320003043 | CONDENSER D90568 (GSM1 EVO) |
| 48 | SL310005936 | TOROIDAL TRANSFORMER SET/PMA 230/24120 VA+ACC. |
| 49 | SL320000833 | FULL RECIEVER GRANISMART 1 |
| 50 | SL330000173 | FAN MOTOR 127x127x38 230/50 GS 5x1,GHZ-97 |
| 51 | SL310002672 | COMPRESSOR EMT2125GK 220/50 |
| 52 | SL310005910 | CONDENSER + DRYER GSM 1 EVO 230/50 |
| 53 | SL330000182 | ZINC SCREW D-6921 M4X50 |
| 54 | SL310002854 | COMPRESSOR CLIXON EMT 2125GK 220/50 |
| 55 | SL310002736 | TEMPERATURE PROBE TS-E L.1150 |
| 56 | SL310005901 | DISPLAY GSM 1 EVO |
| 57 | SL320002414 | EXTERNAL GASKET SILENBLOCK COMPR.GS 1 |
| 58 | SL310005937 | FUSE 5X20 T1,6 A 250V TIME - DELAYED |
| 59 | SL310005968 | INTERNAL FRONT PROBE SUBJECTION |
| 60 | SL320000831 | DRYER 10 GR F.4,9-2,5XH9 Ø16x110 |
| 61 | SL310006736 | RIGHT SIDE PANEL ALUM. WHITE GSM 1 EVO + ADHES |
| 62 | SL320002585 | TRANSFORMER SUPPORT GS 1 EB |
| 63 | SL310004778 | TANK SECURITY SENSOR 1 C/CABLES BRS |
| 64 | SL320000867 | MAGNETIC SENSOR SUBJECTION WHITE GS |
| 65 | SL320003129 | SIDE PANEL COVER WHITE GSM 1 EVO |
| 66 | SL310005898 | TOROIDAL TRANSFORMER /PMA 230/24 120 VA 1sec |
| 67 | SL330000381 | RUBBER DISC 60x4x1 TRANSF.PMA 230/24 80VA |
| 68 | SL330000382 | TRANSFORMER PROTECTION DISK PMA 230/24 80 VA |
| 69 | IC511310670 | ZINC SCREW D-933 M6X70 |
| 70 | SL310005900 | ELECTRONIC BOARD GSM 1 EVO |
| 71 | SL320002695 | TS-E SEAL JOINT |
| 72 | SL310005922 | CONTROL PANEL ADHESIVE GSM 1 EVO |
| 73 | SL300970336 | BLACK SWITCH I-II SP.USA |
| 74 | SL310002925 | COMPRESSOR CONDENSER EMT2125GK 220/50 |
| 75 | SL310004866 | SPACER 12,57xø4,75xø4 UL 94V2 |
| 76 | SL300009227 | ZINC SCREW D-933 M4X45 |
| 77 | SL300002246 | SERRATED WASHER ZINC D-6798A M4 |
| 78 | SL31JEMG060 | ZINC NUT D-934 M6 |
| 79 | SL300000254 | ZINC WASHER DIN 9021 M6 |
| 80 | SL300950441 | ZINC SCREW D-933 M6x30 |
| 81 | SL310002832 | CONDENSER 0'022 mF 275V |
| 82 | SL330000118 | NICKEL - PLATED SCREW D-7500-C B-3,5 x 9,5 BZ |
| 83 | SL38WBPA107 | PASSCABLE PA107 |
| 84 | SL300000861 | ZINC WASHER D-9021 M4 |
| 85 | SL31JTMG040 | ZINC NUT DIN-6923 M4 C/WASHER |
| 86 | SL310005919 | RIGHT EVAP. SUPPORT REINFORCEMENT GSM 1 EVO |
| 87 | SL310006299 | LEFT EVAP. SUPPORT REINFORCEMENT GSM 1 EVO |
| 88 | SL31KD06M12 | ZINC WASHER D-125 M6 |
| 89 | SL31JDMG060 | ZINC NUT D-985 M6 |
| 90 | SL300002718 | STAINLESS STEEL SCREW D-7985 M6x10 |
| 91 | SL300310110 | BRASS SCREW D-86 M4x10 |
| 92 | SL310005930 | TANK INTERNAL COVER GSM EVO |

ELENCO COMPONENTI

| N° | Codice | Denominazione |
|-----------------|-------------|---|
| 1 | SL320000815 | COPERCHIO VASCA GS BIANCO |
| 2 | SL340001675 | VASCA GS 5 LT + ADESIVO GSM EVO/MX5 |
| 3 | SL300951293 | PERNO LEVA RUBINETTO EURO BIANCO |
| 4 | SL300951609 | LEVA RUBINETTO GHZ PULL BIANCA |
| 5 | SL320001401 | MOLLA CILINDRICA RUBINETTO 8 VTLS ø1.6 |
| 6 | SL320002858 | COMPLEMENTO RUBINETTO RIDUTTORE A STAR |
| 7 | SL310001367 | PISTONE RUBINETTO LD BIANCO |
| 8 | SL320001758 | GUARNIZIONE RUBINETTO LD BIANCA |
| 9 | SL320002424 | PANNELLO LATERALE SINISTRO ALUM. BIANCO GSM 1 |
| 10 | SL310006383 | PANNELLO ANTERIORE COMPLETO ALUM.BIANCO GSM 1 EVO |
| 11 | SL340000623 | VASCHETTA SGOCCIOLIO COMPLETA GT BIANCA Ty05 |
| 11 ₁ | SL320001012 | GRIGLIA VASCHETTA GT BIANCA ABS |
| 11 ₂ | SL320001011 | VASCHETTA SCARICO GT BIANCA |
| 12 | SL310004624 | TUBO SCARICO CONDESA. SILIC.ALIM ø8xø12 L.290mm. |
| 13 | SL330000195 | INTERRUTTORE SIGNAL LUX BIANCO/ROSSO |
| 14 | SL320000788 | SUPPORTO EVAPORATORE PZ-2 GS BIANCO |
| 15 | SL310005918 | SUPPORTO EVAPORATORE GHZ PZ-1 GSM EVO BIANCO |
| 16 | SL310005916 | SUPPORTO EVAP. COMPLETO PZ-1 + PZ-2 GSM 1 EVO BIANCO |
| 17 | SL300500133 | GUARNIZIONE EVAPORATORE CH-110 V/96 / GS.5 |
| 18 | SL310005914 | EVAPORATORE COMPLETO GSM 1 EVO (1X3000) |
| 19 | SL320002598 | BOCCOLA SOSTEGNO ALBERO GHZ-G5 2M6 V/9 |
| 20 | SL310005941 | COCLEA GRANISMART EVO |
| 21 | SL310003830 | GUARNIZIONE VENTOSA GHZ-GB 2M6 SIL.TRANSLU. |
| 22 | SL300950069 | TAPPO PIANO EVAPORATORE GHZ/SPIN WHITE |
| 23 | SL310005926 | PANNELLO POSTERIORE COMPLETO GSM 1 EVO C/P.BIANCO |
| 23 ₁ | SL310005927 | PANNELLO POSTERIORE ALUM.BIANCO GSM1 EVO VIP. |
| 23 ₂ | SL310000171 | DADO ESPECIALE M4 03-09 |
| 23 ₃ | SL310005928 | PORTA PANNELLO POSTERIORE ALUM. BIANCA GSM1 EVO |
| 23 ₄ | SL300970090 | VITE GB-10 BIANCO |
| 24 | SL320000794 | PIANO EVAPORATORE GS 1 BIANCO |
| 25 | SL310005908 | TELAIO GSM 1 EVO |
| 26 | SL320003126 | PANNELLO LATERALE DESTRO ALUM. BIANCO GSM 1 EVO |
| 27 | SL300951357 | PIEDE LIVELLATORE GHZ-14 V/99 |
| 28 | SL320000812 | SUPPORTO PANNELLO LATERALE GS |
| 29 | SL310003935 | CAVO ALIMENTAZIONE 3x1,5 2M.SCHUKO + PA107 GS 1/2/3 FB4 |
| 30 | SL310004348 | COPERCHIO SUPPORTO EVAPORATORE GS.SENC. BIANCO |
| 31 | SL300951191 | TAPPO INTERRUTTORE COPERCHIO SUPPORTO EVAP. BIANCO |
| 32 | SL300951394 | TAPPO PERNO REGOLAZIONE DUREZZA BIANCO |
| 33 | SL320000805 | SUPPORTO SENSORE BIANCO GS |
| 34 | SL310001843 | GUARNIZIONE Ø15 x Ø2 SIL.ALIM. ROSSA |
| 35 | SL300951921 | VITE ZINCATO D-7981 B 3,9x13 |
| 36 | SL310005899 | MOTORIDUTTORE BRS 24Vdcø42 70rpm VERNIS |
| 37 | SL320002576 | ALBERO TRASCINAMENTO COMPLETO GSM G5 TMC 06 |
| 38 | SL310002853 | RELÉ COMPRESSORE EMT 2125 GK 220/50 |
| 39 | SL310005969 | TAPPO SONDA INTERNA EVAP. (PLAST.) |
| 40 | IC541000418 | GUARNIZIONE 1,78 11,11 SL 60 ROSSA |
| 41 | SL300003131 | INTERRUTTORE GENERALE 22x30 VERDE |
| 42 | SL330000096 | COPERCHIO INTERRUTTORE GENERALE |
| 43 | SL330000210 | INTERRUTTORE NERO UL 11x30 SIGN.LUX |
| 44 | SL330000119 | COPERCHIO INTERRUTTORE NERO 11x30 |

| N° | Codice | Denominazione |
|----|-------------|---|
| 45 | SL38EAE48GL | BOBINA ELETTROVALVOLA GAS CEME 230V 50Hz |
| 45 | SL310005788 | BOBINA ELETTROVALVOLA GAS OLAB 230V 50Hz |
| 46 | SL310000429 | ELETTROVALVOLA SINGOLA COMPLETA CEME 230V 50Hz |
| 46 | SL310005789 | ELETTROVALVOLA SINGOLA COMPLETA OLAB 230V 50Hz |
| 47 | SL320003043 | CONDENSATORE D90568 (GSM1 EVO) |
| 48 | SL310005936 | TRANSFORMATORE TOR. COMPLETO /PMA 230/24120 VA+ACC. |
| 49 | SL320000833 | BOILER GRANISMART 1 |
| 50 | SL330000173 | MOTOVENTILATORE 127x127x38 230/50 GS 5x1,GHZ-97 |
| 51 | SL310002672 | COMPRESSORE EMT2125GK 220/50 |
| 52 | SL310005910 | CONDENSATORE + FILTRO GSM 1 EVO 230/50 |
| 53 | SL330000182 | VITE ZINCATO D-6921 M4X50 |
| 54 | SL310002854 | SALVAMOTORE COMPRESSORE EMT 2125GK 220/50 |
| 55 | SL310002736 | SONDA TEMPERATURA TS-E L.1150 |
| 56 | SL310005901 | DISPLAY GSM 1 EVO |
| 57 | SL320002414 | BOCCOLA ESTERNI SILENBLOCK COMPR.GS 1 |
| 58 | SL310005937 | FUSIBILE 5X20 T1,6 A 250V RITARDATTO |
| 59 | SL310005968 | FERMO SONDA ANTERIORE INTERNA |
| 60 | SL320000831 | FILTRO 10 GR F.4,9-2,5XH9 Ø16x110 |
| 61 | SL310006736 | PANNELLO LATERALE DESTRO ALUM. BIANCOGSM 1 EVO + ADES |
| 62 | SL320002585 | SUPPORT TRANSFORMATORE GS 1 EB |
| 63 | SL310004778 | SENSORE SICUREZZA VASCA 1 C/CAVOS BRS |
| 64 | SL320000867 | FERMO SENSORE MAGNETICO BIANCO GS |
| 65 | SL320003129 | COPERCHIO PANNELLO LATERALE BIANCA GSM 1 EVO |
| 66 | SL310005898 | TRANSFORMATORE TOR. /PMA 230/24 120 VA 1sec |
| 67 | SL330000381 | DISCO GOMMA 60x4x1 TRASF.PMA 230/24 80VA |
| 68 | SL330000382 | DISCO PROTEZ. TRASF. PMA 230/24 80 VA |
| 69 | IC511310670 | VITE ZINCATO D-933 M6x70 |
| 70 | SL310005900 | SCHEDA ELETTRONICA GSM 1 EVO |
| 71 | SL320002695 | GUARNIZIONE TS-E |
| 72 | SL310005922 | ADESIVO PANNELLO PORTACOMANDI GSM 1 EVO |
| 73 | SL300970336 | INTERRUTTORE NERO I-II SP.USA |
| 74 | SL310002925 | CONDENSATORE COMPRESSORE EMT2125GK 220/50 |
| 75 | SL310004866 | DISTANZIALE 12,57xø4,75xø4 UL 94V2 |
| 76 | SL300009227 | VITE ZINCATO D-933 M4X45 |
| 77 | SL300002246 | RONDELLA DENTELLATA ZINCATA D-6798A M4 |
| 78 | SL31JEMG060 | DADO ZINCATO D-934 M6 |
| 79 | SL300000254 | RONDELLA ZINCATA DIN 9021 M6 |
| 80 | SL300950441 | VITE ZINCATO D-933 M6x30 |
| 81 | SL310002832 | CONDENSATORE 0'022 mF 275V |
| 82 | SL330000118 | VITE NIC. D-7500-C B-3,5 x 9,5 BZ |
| 83 | SL38WBPA107 | PASSACAVO PA107 |
| 84 | SL300000861 | RONDELLA ZINCATA D-9021 M4 |
| 85 | SL31JTMG040 | DADO ZINCATO DIN-6923 M4 C/WASHER |
| 86 | SL310005919 | STAFFA DI RIFORZO SUPPORTO EVAP. DESTRO GSM 1 EVO |
| 87 | SL310006299 | STAFFA DI RIFORZO SUPPORTO EVAP. SINISTRO GSM 1 EVO |
| 88 | SL31KDO6M12 | RONDELLA ZINCATA D-125 M6 |
| 89 | SL31JDMG060 | ZINC NUT D-985 M6 |
| 90 | SL300002718 | VITE INOX. D-7985 M6x10 |
| 91 | SL300310110 | VITE OTTONE D-86 M4x10 |
| 92 | SL310005930 | COPERCHIO INTERNO VASCA GSM EVO |

DESPIECE - EXPLODED VIEW - ESPLOSO DISEGNO



A series of horizontal lines for writing.

