

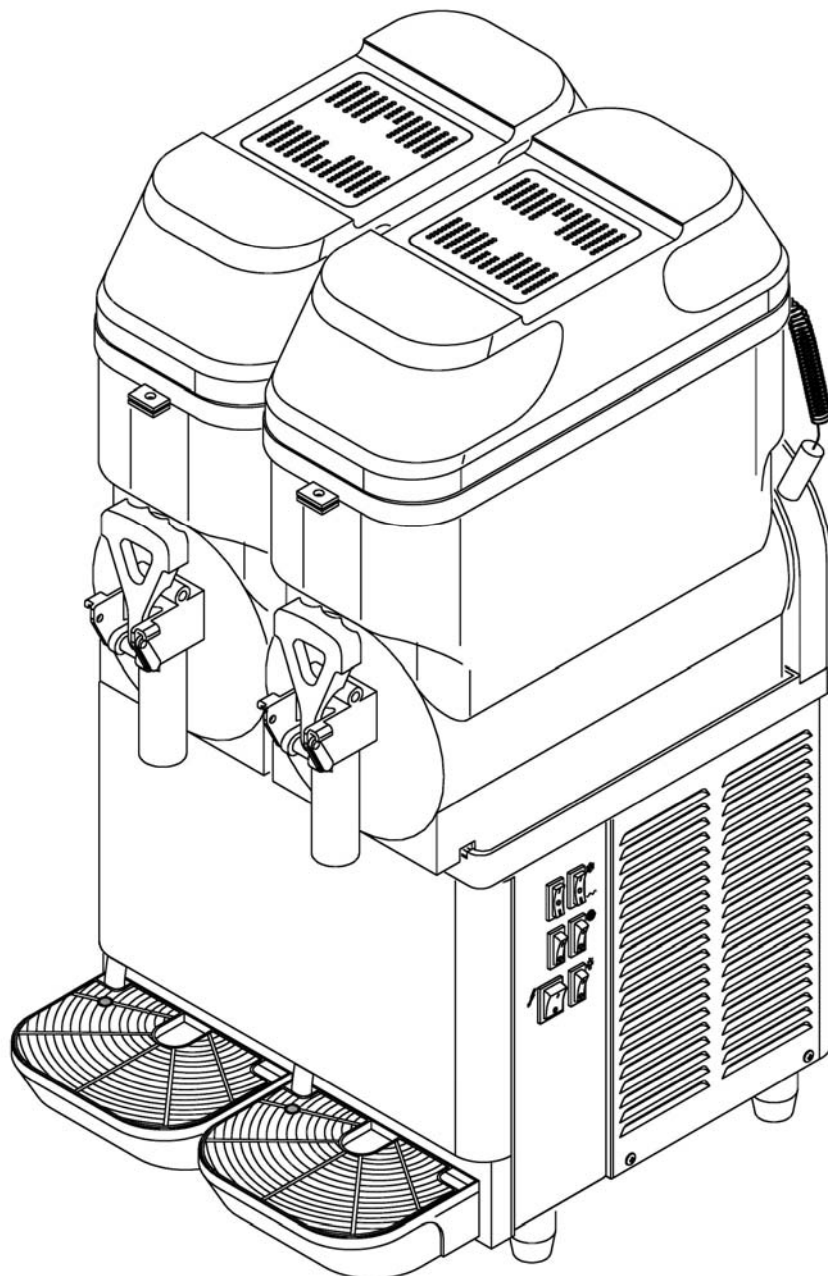
LISTA DE PIEZAS DE RECAMBIO

GRANIZADORA DE BANCO

GT 2-S/FF CE AZUL BRILLO

Ref.: SL8GT122088

230-240 V. / 50 Hz.

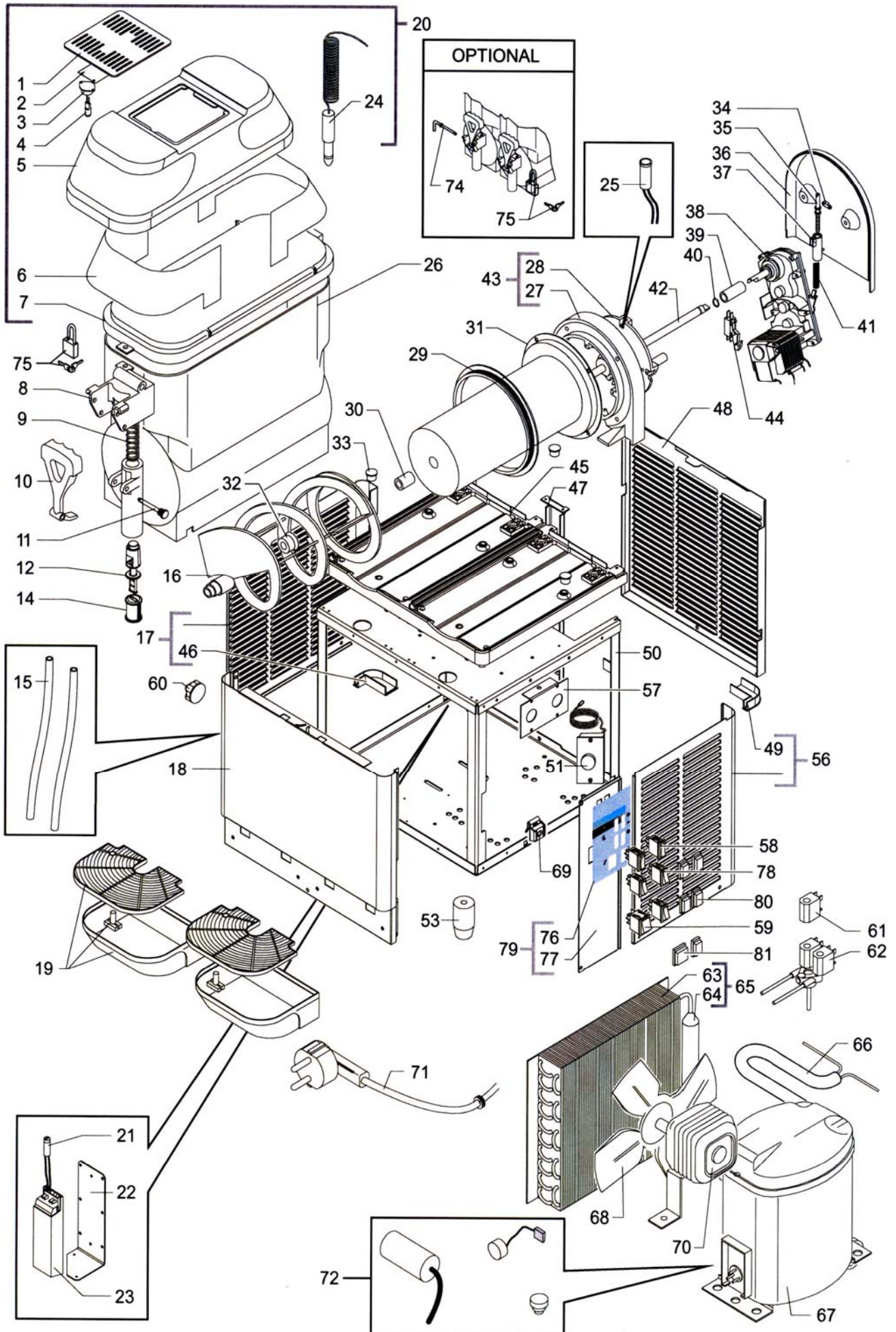


LISTA DE PIEZAS MAQUINA DE 2 DEPÓSITOS

Nº	Referencia	Denominación
1	SL320000039	Puerta para lámpara tapa corona azul brillo
2	SL320000011	Soporte portalámparas
3	SL38MA218SA	Portalámparas
4	SL38LA10WG4	Lámpara
5	SL320000038	Tapa corona – parte superior azul brillo
6	SL320001092	Diapositiva
7	SL3GS36009C	Base tapa
8	SL3GS82013A	Tapón bloqueo grifo
9	SL320001401	Muelle grifo
10	SL320000043	Palanca grifo azul brillo
11	SL310000367	Perno grifo
12	SL310001367	Pistón grifo
13		
14	SL320001758	Junta grifo
15	SL320000054	Tubo desagüe
16	SL3GS12009D	Pala espiral completa
17	SL340000840	Panel lateral izquierdo
18	SL320001044	Panel frontal
19	SL340000537	Cuba receptora goteo completa azul brillo
20	SL340000696	Tapa corona completa azul brillo
21	SL330000145	Fusible completo 5x20 L250V T250MA
22	SL320001320	Soporte transformador negro
23	SL300009165	Transformador para luz halógena 50W230V50/60Hz
24	SL320000021	Cable tapa
25	SL320001350	Base alimentación
26	SL340000538	Depósito 12 Litri
27	SL320000113	Soporte evaporador PZ 1 azul brillo
28	SL320000114	Soporte evaporador PZ 2 azul brillo
29	SL3GS36007B	Junta evaporador/depósito
30	SL300951752	Casquillo evaporador
31	SL300951200	Evaporador
32	SL300951857	Junta estanqueidad eje
33	SL320001262	Tapón bandeja superior - azul brillo
34	SL3GS12036A	Sujeción sistema regulación
35	SL3GS12035A	Vástago regulación
36	SL320000037	Tapa soporte evaporador - azul brillo
37	SL3GS12037B	Guía muelle sistema regulación
38	SL330000338	Motorreductora 230V 50Hz
39	SL3GS12031A	Casquillo eje transmisión
40	SL300006076	Anillo
41	SL3GS12038A	Muelle regulación duro

Nº	Referencia	Denominación
42	SL3GS12030A	Eje transmisión
43	SL340000086	Soporte evaporador completo azul brillo
44	SL300950587	Minirruptor completo
45	SL320001257	Bandeja superior - azul brillo
46	SL300950801	Protección angular izquierda
47	SL300970232	Soporte evaporador
48	SL340000838	Panel trasero
49	SL300950802	Protección angular derecha
50	SL320001170	Chasis completo
51	SL37AAL3231	Termostato mecánico RANCO K50 L3231
52		
53	SL300951357	Pie nivelador H. 40 mm
54		
55		
56	SL340000839	Panel lateral derecho
57	SL320001267	Soporte termostato negro
58	SL300951089	Desviador I-0-II 11x30 negro
59	SL300003131	Interruptor general luminoso 22x30 verde
60	SL300970274	Grifo negro
61	SL38EAE48GL	Bobina electroválvula gas 230V 50/60 Hz
62	SL3GS24711B	Electrov. doble completa CEME 230V 50/60 Hz
63	SL300970233	Condensador
64	SL3GS36815A	Filtro
65	SL340000785	Grupo condensador completo
66	SL300951934	Caldera
67	SL37ZG02168	Compresor T2168GK 220-240/50
68	SL300000233	Aspas ventilador VA ø254/28º
69	SL300950568	Tuerca en jaula "M4"
70	SL320001258	Motoventilador 220/240V 50/60HZ
71	SL320001330	Cable alimentación enchufe Schuko
72	-----2	Piezas eléctricas compres. T2168GK 220-240/50
73		
74	SL3GS82016A	Eje cierre grifo
75	SL3GS24118A	Candado
76	SL320001174	Adhesivo portamandos
77	SL320001043	Panel portamandos
78	SL300000964	Interruptor 11x30 negro
79	SL320001062	Panel portamandos completo
80	SL330000119	Protección interruptor 11 x 30
81	SL330000096	Protección interruptor 22 x 30

DESPIECE MÁQUINA DE 2 DEPÓSITOS



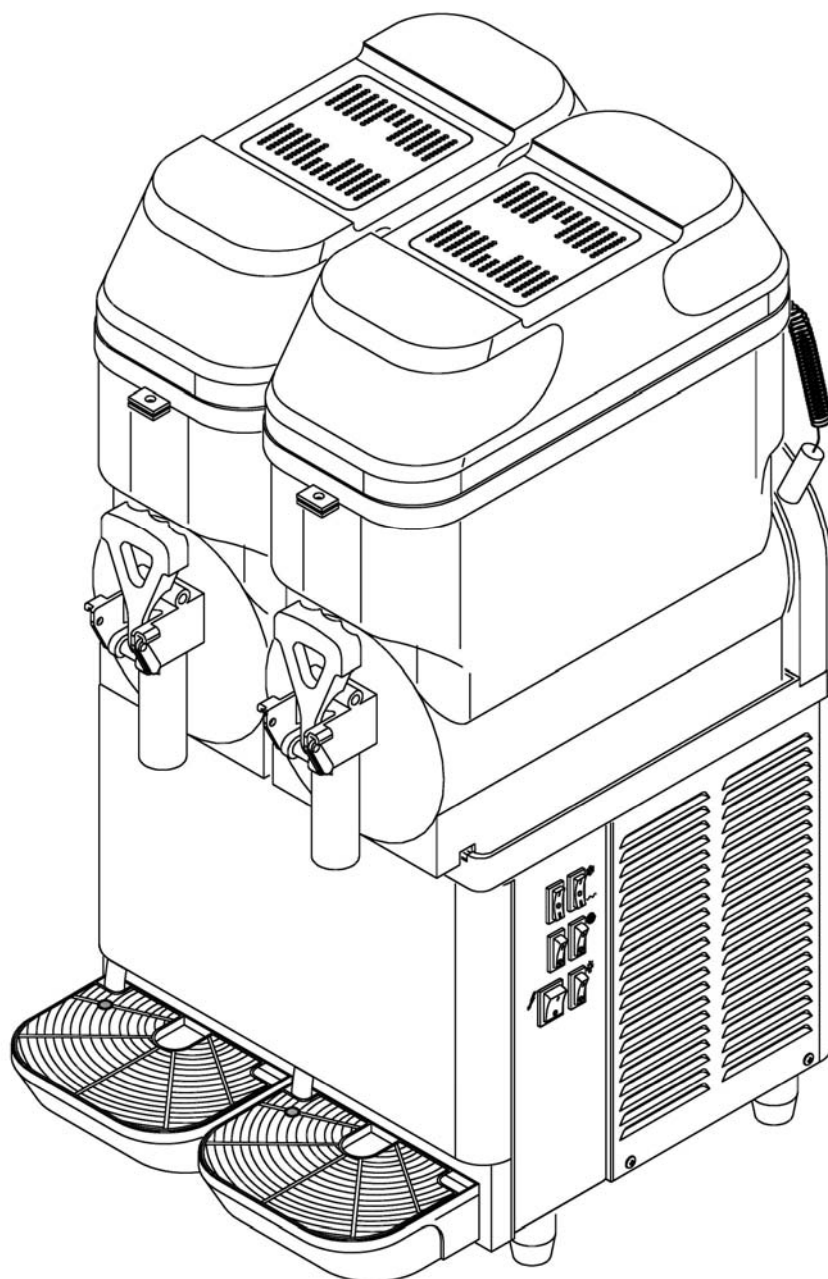
LIST OF COMPONENTS PARTS

GRANITA MACHINE

GT 2-S/FF CE BLUE GLITTER

Ref.: SL8GT122088

230-240 V. / 50 Hz.

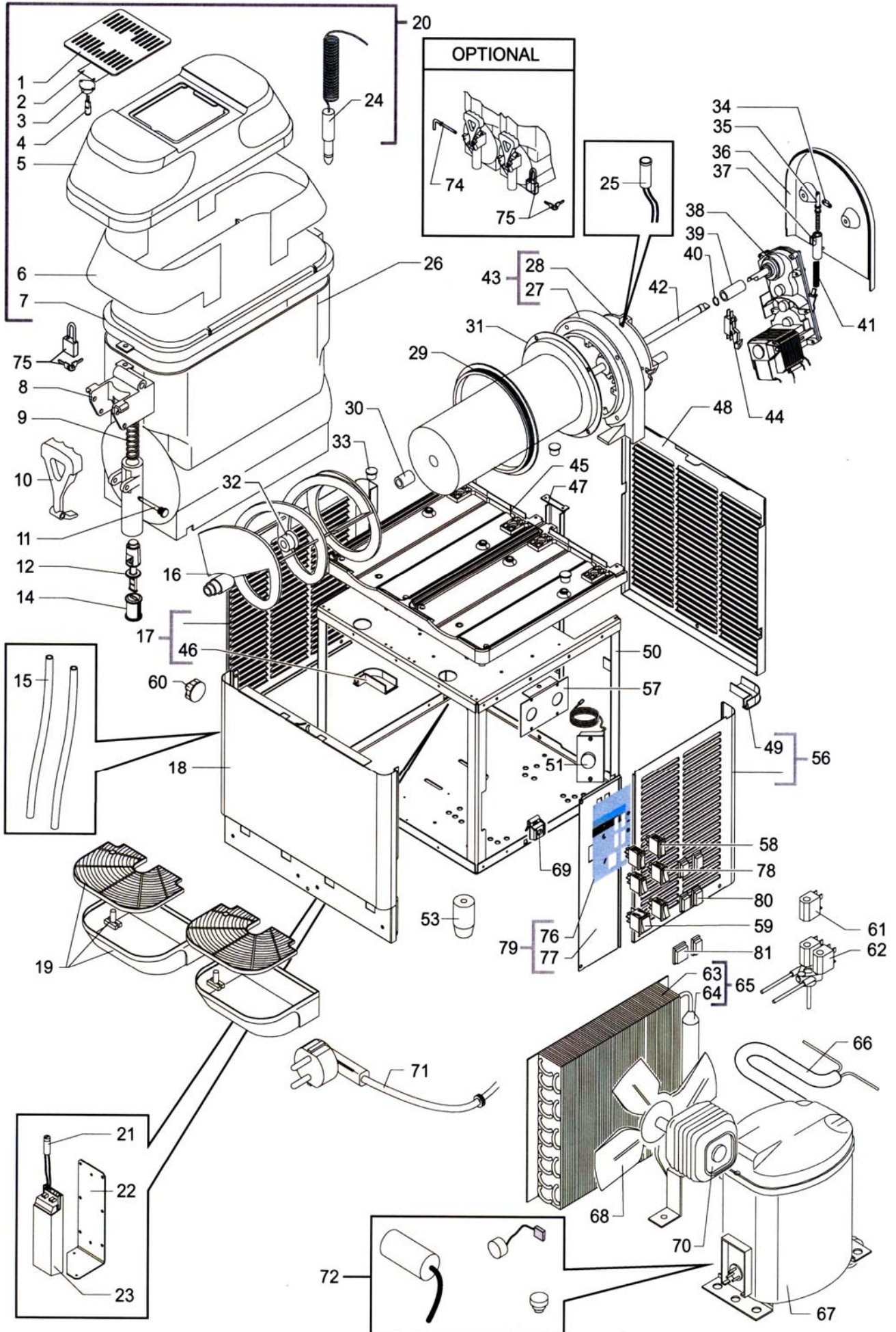


LIST OF COMPONENTS PARTS 2 TANK MACHINE

N°	Reference	Description
1	SL320000039	"Crown" topper - door for bulb blue glitter
2	SL320000011	Bulb holder support
3	SL38MA218SA	Bulb holder
4	SL38LA10WG4	Bulb
5	SL320000038	"Crown" topper - upper part - blue glitter
6	SL320001092	Decal
7	SL3GS36009C	Undercover
8	SL3GS82013A	Spigot tap holder
9	SL320001401	Spigot spring
10	SL320000043	Spigot handle - blue glitter
11	SL310000367	Spigot pin
12	SL310001367	Spigot plunger
13		
14	SL320001758	Gasket spigot
15	SL320000054	Drain pipe
16	SL3GS12009D	Auger spiral
17	SL340000840	Left panel
18	SL320001044	Front panel
19	SL340000537	Drip tray assy - blue glitter
20	SL340000696	"Crown" topper assy - blue glitter
21	SL330000145	Full fuse 5x20 L250V T250MA
22	SL320001320	Black transformer support
23	SL300009165	Transformer for halogen lamp 50W230V50/60Hz
24	SL320000021	Cable with jack plug "male"
25	SL320001350	Jack socket "female"
26	SL340000538	Bowl 12 Litres
27	SL320000113	Evaporator support Pz 1 - blue glitter
28	SL320000114	Evaporator support Pz 2 - blue glitter
29	SL3GS36007B	Evaporator/bowl rear gasket
30	SL300951752	Shaft supporting bushing
31	SL300951200	Evaporator
32	SL300951857	Evaporator/auger spiral rubber attachment
33	SL320001262	Evaporator tray bung - blue glitter
34	SL3GS12036A	Hardness control pin catch
35	SL3GS12035A	Hardness control pin
36	SL320000037	Evaporator support cover - blue glitter
37	SL3GS12037B	Hardness control pin bushing
38	SL330000338	Gear motor 230V 50Hz
39	SL3GS12031A	Bushing spindle conn.
40	SL300006076	Seeger-ring
41	SL3GS12038A	Torque compression spring

N°	Reference	Description
42	SL3GS12030A	Drive shaft for spiral
43	SL340000086	Evaporator support assy - blue glitter
44	SL300950587	Limit switch
45	SL320001257	Evaporator tray - blue glitter
46	SL300950801	Left corner protection
47	SL300970232	Evaporator tray support
48	SL340000838	Rear panel
49	SL300950802	Right corner protection
50	SL320001170	Chassis
51	SL37AAL3231	Thermostat RANCO K50 L3231
52		
53	SL300951357	Foot H. 40 mm
54		
55		
56	SL340000839	Right panel
57	SL320001267	Black thermostat support
58	SL300951089	Change-over switch I-O-II 11x30 black
59	SL300003131	Light main switch 22x30 - Green
60	SL300970274	Black knob
61	SL38EAE48GL	Ev-coil - gas 230V 50/60 Hz
62	SL3GS24711B	Double solenoid valve assy CEME 230V 50/60 Hz
63	SL300970233	Condenser
64	SL3GS36815A	Dryer
65	SL340000785	Condenser group assy
66	SL300951934	Receiver
67	SL37ZG02168	Compressor T2168GK 220-240/50
68	SL300000233	Fan blade VA ø254/28°
69	SL300950568	Cage nut "M4"
70	SL320001258	Fan motor 220/240V 50/60HZ
71	SL320001330	Power cable with Schuko plug
72	-----2	Kit electric parts compres. T2168GK 220-240/50
73		
74	SL3GS82016A	Spigot closing rod
75	SL3GS24118A	Padlock
76	SL320001174	Control board adhesive
77	SL320001043	Control panel
78	SL300000964	Switch 11x30 - Black
79	SL320001062	Complete control panel
80	SL330000119	Cover protection for switch 11 x 30
81	SL330000096	Cover protection for switch 22 x 30

EXPLODED VIEW 2 TANK MACHINE

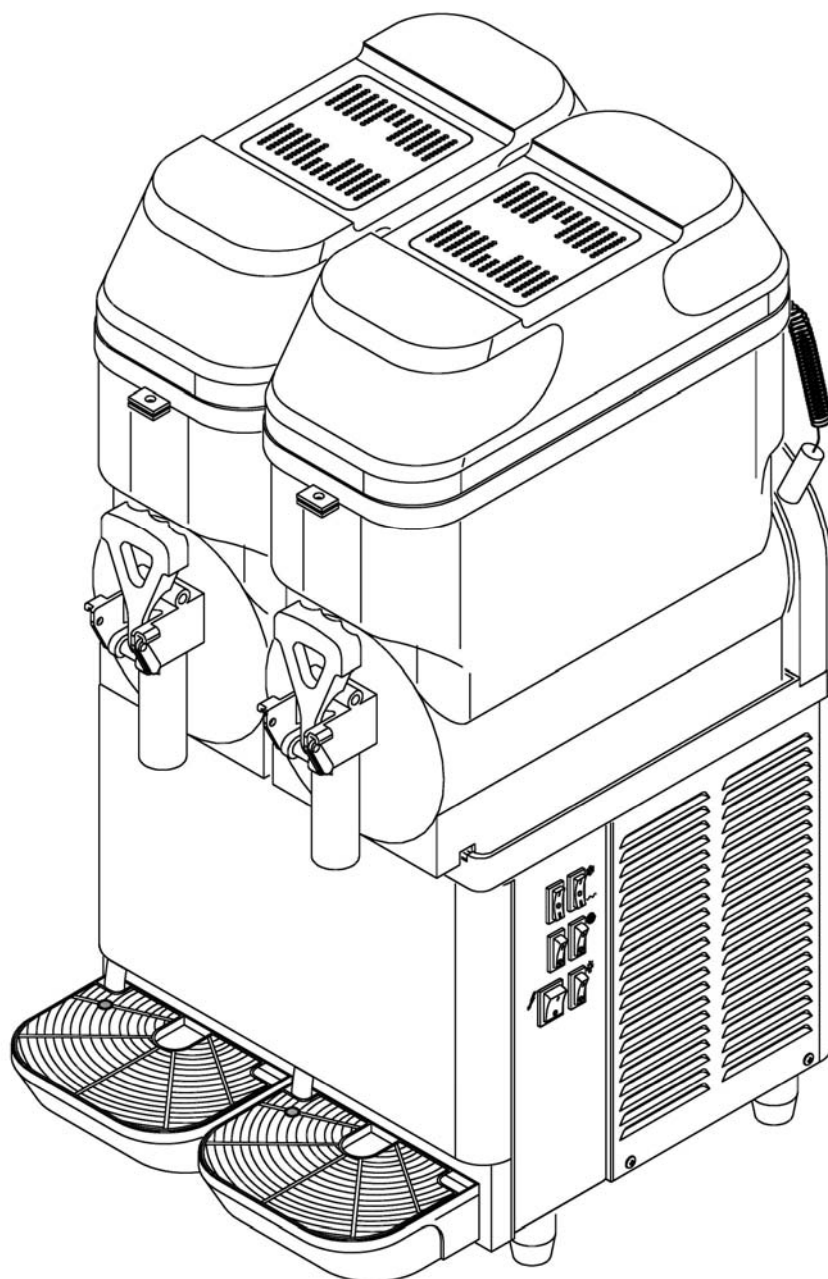


LISTA RICAMBI
GRANITORE DA BANCO

GT 2-S/FF CE BLU GLITTER

Ref.: SL8GT122088

230-240 V. / 50 Hz.



ELENCO COMPONENTI GRANITORE 2 VASCHE

N°	Codice	Descrizione
1	SL320000039	Sportello lampada coperchio corona blu glitter
2	SL320000011	Supporto portalampada
3	SL38MA218SA	Portalampada
4	SL38LA10WG4	Lampada
5	SL320000038	Coperchio corona - parte superiore blu glitter
6	SL320001092	Diapositiva
7	SL3GS36009C	Sottocoperchio
8	SL3GS82013A	Tappo blocco rubinetto
9	SL320001401	Molla rubinetto
10	SL320000043	Leva rubinetto blu glitter
11	SL310000367	Perno rubinetto
12	SL310001367	Corpo rubinetto
13		
14	SL320001758	Guarnizione rubinetto
15	SL320000054	Tube scarico condensa
16	SL3GS12009D	Coclea
17	SL340000840	Pannello sinistro
18	SL320001044	Pannello anteriore
19	SL340000537	Vaschetta sgocciolio completa blu glitter
20	SL340000696	Coperchio corona completo blu glitter
21	SL330000145	Fusibile completo 5x20 L250V T250MA
22	SL320001320	Supporto trasformat. Nero
23	SL300009165	Trasform. x alog.50W230V50/60Hz
24	SL320000021	Cavo con spina jack "maschio"
25	SL320001350	Presa jack "femmina"
26	SL340000538	Vasca 12 Litri
27	SL320000113	Supporto evaporatore Pz 1 blu glitter
28	SL320000114	Supporto evaporatore Pz 2 blu glitter
29	SL3GS36007B	Guarnizione evaporatore/vasca
30	SL300951752	Boccola sostegno albero
31	SL300951200	Evaporatore
32	SL300951857	Guarnizione ventosa evaporatore/coclea
33	SL320001262	Tappo piano evaporatore blu glitter
34	SL3GS12036A	Fermo perno regolazione durezza
35	SL3GS12035A	Perno regolazione durezza
36	SL320000037	Coperchio supporto evaporatore blu glitter
37	SL3GS12037B	Boccola perno regolazione durezza
38	SL330000338	Motoriduttore 230V 50Hz
39	SL3GS12031A	Boccola connessione albero
40	SL300006076	Anello seeger per boccola
41	SL3GS12038A	Molla regolazione durezza

N°	Codice	Descrizione
42	SL3GS12030A	Albero trascinamento coclea
43	SL340000086	Supporto evaporatore completo blu glitter
44	SL300950587	Microinterruttore
45	SL320001257	Piano evaporatore blu glitter
46	SL300950801	Protezione angolare sinistra
47	SL300970232	Supporto piano evaporatore
48	SL340000838	Pannello posteriore
49	SL300950802	Protezione angolare destra
50	SL320001170	Telaio
51	SL37AAL3231	Termostato RANCO K50 L3231
52		
53	SL300951357	Piede H. 40 mm
54		
55		
56	SL340000839	Pannello destro
57	SL320001267	Supporto termostato nero
58	SL300951089	Interruttore dev. I-0-II 11x30 nero
59	SL300003131	Interruttore generale luminoso 22x30 verde
60	SL300970274	Pomello nero
61	SL38EAE48GL	Bobina elettrovalvola gas 230V 50/60HZ
62	SL3GS24711B	Elettrov. doppia completa CEME 230V 50/60 Hz
63	SL300970233	Condensatore frigo
64	SL3GS36815A	Filtro
65	SL340000785	Gruppo condensatore assiemato
66	SL300951934	Boiler
67	SL37ZG02168	Compressore T2168GK 220-240/50
68	SL300000233	Ventola D. 254/28°
69	SL300950568	Dado in gabbia "M4"
70	SL320001258	Motoventilatore 220/240V 50/60HZ
71	SL320001330	Cavo alimentazione spina Schuko
72	-----2	Assieme parti elettriche compres.T2168GK 220-240/50
73		
74	SL3GS82016A	Asta di chiusura rubinetto
75	SL3GS24118A	Lucchetto
76	SL320001174	Adesivo portacomandi
77	SL320001043	Pannello portacomandi
78	SL300000964	Interruttore 11x30 nero
79	SL320001062	Pannello portacomandi assiemato
80	SL330000119	Cappuccio di protezione interruttore 11 x 30
81	SL330000096	Cappuccio di protezione interruttore 22 x 30

ESPLOSO DISEGNO GRANITORE 2 VASCHE

