

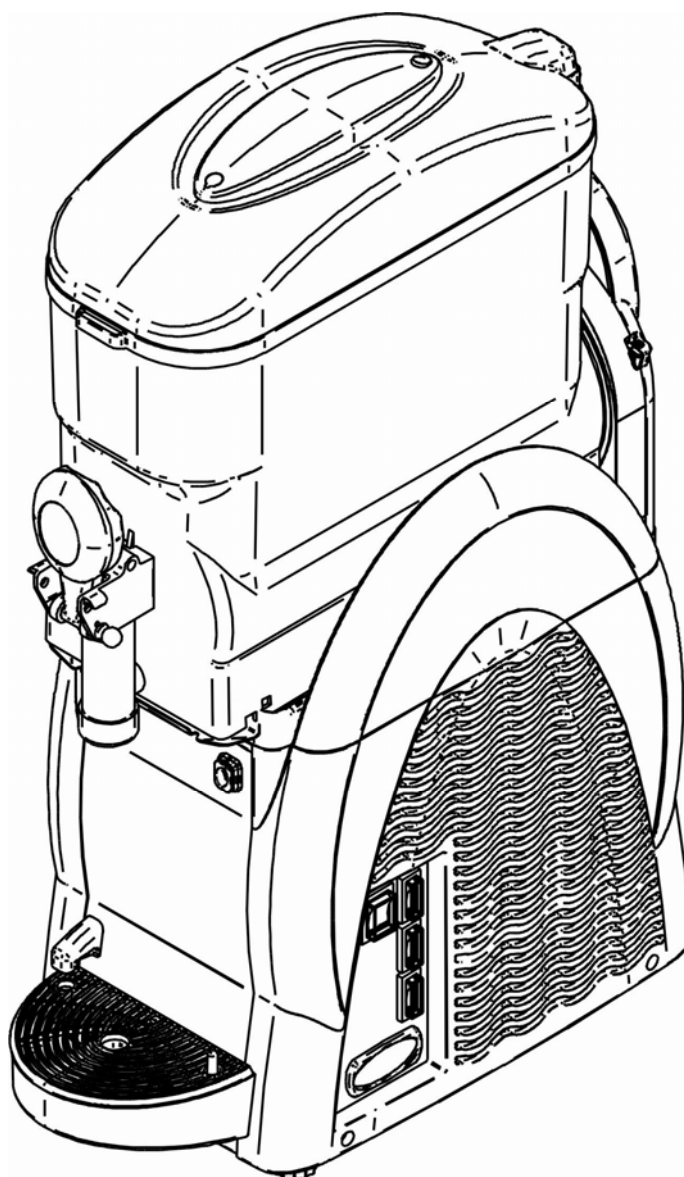
LISTA DE PIEZAS DE RECAMBIO
LIST OF COMPONENTS PARTS
LISTA RICAMBI

GRANIZADORA DE BANCO
GRANITA MACHINE
GRANITORE DA BANCO

SPIN 1 EVO 230/50 WHITE

Ref.: SL8SP121363

230 V. / 50 Hz.



Nº	Referencia	Denominación
1	SL310007126	Tapa - parte superior blanca
2	SL320000011	Soporte portalámparas
3	SL320001421	Portalámparas
4	SL38LA10WG4	Lámpara
5	SL310007125	Tapa luminosa SPIN blanca
6	SL3GS24017A	Tapón tapa blanco
7	SL320001245	Base tapa
8	SL3GS82013A	Casquillo muelle grifo
9	SL320001401	Resorte cilíndrico grifo
10	SL340001683	Leva grifo SPIN
11	SL310000367	Pasador leva grifo
12	SL310001367	Pistón grifo LD blanco
13	SL320001550	Contactos luz tapa
14	SL320001758	Junta especial pistón LD blanca
15	SL30PZ12NT8	Tubo desagüe silicona 8x12 x mts.
16	SL3GS12009D	Pala espiral GHZ
17	SL310007141	Panel lateral izquierdo SPIN PC/ABS blanco ETL
18	SL320003164	Panel frontal SPIN 1 SUPER
19	SL310007128	Bandeja de goteo completa blanca
19 ₁	SL310007130	Rejilla goteo SPIN blanca
19 ₂	SL320001013	Flotador rejilla goteo rojo GT
19 ₃	SL310007129	Bandeja goteo SPIN blanca
20	SL310007124	Tapa luminosa completa SPIN SUPER blanca
21	SL310001843	Junta tórica Ø15 x Ø2 silicona - roja
22	SL37TAH0401	Motoventilador "120x120x38" 220/240V50/60Hz
23	SL310001816	Condensador + Filtro GHZ-114 01
24	SL320002071	Racord desagüe ext. SPIN TY2 gris
25	SL320002070	Acople desagüe int. SPIN TY2 gris
26	SL340000887	Depósito 12 Litros
27	SL310007123	Soporte evaporador PZ-1 blanco
28	SL310000321	Soporte evaporador PZ-2 negro
29	SL3GS36007B	Junta evaporador/depósito
30	SL320002598	Casquillo evaporador GHZ-G5 2M6 V/9
31	SL310006577	Evapor. compl. 5/16 1x3 (1) V11 EVO
32	SL310003830	Junta estanqueidad eje GHZ-GB 2M6 SIL. TRANSLU.
33	SL300950069	Tapón bandeja superior blanco
34	SL320000867	Sujeción sensor magnético
35	SL310004778	Sensor seguridad depósito
36	SL310007133	Tapa soporte evaporador blanca
37	SL320002630	Tope inferior motorreductora
38	SL310005899	Motorreductora BRS 24VdcØ42 70rpm VERNIS
39	SL38WBPA107	Pasacable PA107
40	SL38EAE48GL	Bobina electroválvula gas CEME 230V 50Hz
40	SL310005788	Bobina electroválvula gas OLAB 230V 50Hz
41		
42	SL310002030	Eje transmisión completo GHZ GB TMC 06
43	SL310007117	Soporte evaporador completo blanco

Nº	Referencia	Denominación
44		
45	SL300970010	Bandeja superior GB-110 blanca
46	SL330000119	Protección interruptor 11 x 30
47	SL320002843	Filtro + Electroválvula
48	SL320001399	Panel trasero
49	SL330000096	Protección interruptor 22 x 30
50	SL320003169	Chasis completo
51	SL310005901	Display GSM 1 EVO
52	SL310002832	Condensador 0'022 mF 275V
53	SL300951357	Pie nivelador H. 40 mm
54	SL320002879	Soporte transformador luz
55	SL310007281	Sonda temperatura compl. TS-E L.1150
56	SL310007140	Panel lateral derecho blanco
57		
58	SL300000964	Interruptor 11x30 negro
59	SL300003131	Interruptor general luminoso 22x30 verde
60	SL320000395	Expansionador
61	SL310002672	Compresor EMT2125GK 220/50
62 ₁	SL310002853	Relé compresor EMT2125GK 220/50
62 ₂	SL310002854	Clixon compresor EMT2125GK 220/50
62 ₃	SL310002985	Condensador compresor EMT2125GK 220/50
63	SL310004593	Cable alimentación 3x1,5 3M.SCHUKO+PA107 GHZ/GT 1 TS-E
64	SL330000145	Fusible 5x20 L250V T250MA
65	SL300009165	Transformador 230V - 12V 50 W
66	SL320001507	Soporte panel trasero
67	SL310005969	Tapón sonda interna evap. (PLAST.)
68	IC541000418	Junta tórica 1,78x11,11 SL 60 114 roja
69	SL300970373	Distanciador compresor
70	SL320001397	Soporte panel lateral
71	SL310007085	Cable CPU-DISPLAY 8x2 LARGO 400mm
72	SL310005900	Placa electrónica GSM 1 EVO
73	SL310007096	Panel mandos + Adhesivo SPIN SUPER
74	SL310006275	Puente diodos 35A 1000V
75	SL310004866	Distanciador liberable 12,57xØ4,75xØ4 UL 94V2
76	SL310007142	Cubierta panel lateral blanca
77	SL300970336	Conmutador 11x30 negro
78	SL320001593	Soporte panel
79	SL320001400	Distanciador panel frontal
80	SL310005968	Sujeción sonda interna frontal
81	SL320002068	Recoge-gotas condensación transp.
82	SL320003166	Reductor grifo a estrella GT
83	SL310006650	Pulsador canal
84	SL310005936	Transformador TOR./PMA 230/24120 VA+ACC.
85	IC511310670	Tornillo zincado D-933 M6X70
86	SL300002429	Arandela dentada zinc D-6798A M6
87	SL31JDMG060	Tuerca zincada D-985 M6
88	SL320002585	Soporte transformador TOR GS 1 EB

N°	Reference	Description
1	SL310007126	Topper - upper part - white
2	SL320000011	Bulb holder support
3	SL320001421	Bulb holder
4	SL38LA10WG4	Bulb
5	SL310007125	Light topper SPIN - white
6	SL3GS24017A	Cover bung - white
7	SL320001245	Undercover
8	SL3GS82013A	Spigot tap holder
9	SL320001401	Spigot cylindrical spring
10	SL340001683	Spigot lever dispenser SPIN
11	SL310000367	Spigot pin
12	SL310001367	Spigot plunger LD - white
13	SL320001550	Cover light contacts
14	SL320001758	Spigot sealing plug LD - white
15	SL30PZ12NT8	Drain pipe silicone 8x12 x mts.
16	SL3GS12009D	Auger spiral GHZ
17	SL310007141	Left side panel SPIN PC/ABS white ETL
18	SL320003164	Front panel SPIN 1 SUPER
19	SL310007128	Drip tray set - white
19 ₁	SL310007130	Screen for leaking SPIN white
19 ₂	SL320001013	Screen for leaking GT float - red
19 ₃	SL310007129	Tray for leaking SPIN white
20	SL310007124	Complete illuminated cover SPIN SUPER - white
21	SL310001843	O-ring Ø15 x Ø2 silicone - Red
22	SL37TAH0401	Fan motor "120x120x38" 220/240V50/60Hz
23	SL310001816	Condenser + Dryer GHZ-114 01
24	SL320002071	Drain tube connection racor ext. SPIN TY2 - grey
25	SL320002070	Drain tube connection int. SPIN TY2 grey
26	SL340000887	Bowl 12 Litres
27	SL310007123	Evaporator support Pz 1 - white
28	SL310000321	Evaporator support Pz 2 - black
29	SL3GS36007B	Evaporator/bowl rear gasket
30	SL320002598	Shaft supporting bushing GHZ-G5 2M6 V/9
31	SL310006577	Evaporation device 5/16 1x3 (1) V11 EVO
32	SL310003830	Watertight shaft joint GHZ-GB 2M6 SIL. TRANSLU.
33	SL300950069	Evaporator tray bung - white
34	SL320000867	Magnetic sensor subjection
35	SL310004778	Tank safety sensor
36	SL310007133	Evaporator support cover - white
37	SL320002630	Lower motorstop
38	SL310005899	Gear motor BRS 24VdcØ42 70rpm VERNIS
39	SL38WBPA107	Passcable PA107
40	SL38EAE48GL	Gas electrovalve bobbin CEME 230V 50Hz
40	SL310005788	Gas electrovalve bobbin OLAB 230V 50Hz
41		
42	SL310002030	Full Beater Drive Shaft GHZ GB TMC 06
43	SL310007117	Evaporator support set - white

N°	Reference	Description
44		
45	SL300970010	Evaporator tray GB-110 - white
46	SL330000119	Cover protection for switch 11 x 30
47	SL320002843	Dryer + Electrovalve
48	SL320001399	Rear panel
49	SL330000096	Cover protection for switch 22 x 30
50	SL320003169	Chassis
51	SL310005901	Display GSM 1 EVO
52	SL310002832	Condenser 0'022 mF 275V
53	SL300951357	Foot H. 40 mm
54	SL320002879	Light transformer support
55	SL310007281	Temperature probe TS-E L.1150
56	SL310007140	Right side panel white
57		
58	SL300000964	Switch 11x30 - Black
59	SL300003131	Light main switch - 22x30 - Green
60	SL320000395	Receiver
61	SL310002672	Compressor EMT2125GK 220/50
62 ₁	SL310002853	Compressor relay EMT2125GK 220/50
62 ₂	SL310002854	Compressor clixon EMT2125GK 220/50
62 ₃	SL310002985	Compressor condenser EMT2125GK 220/50
63	SL310004593	Power cable 3x1,5 3M.SCHUKO+PA107 GHZ/GT 1 TS-E
64	SL330000145	Fuse 5x20 L250V T250MA
65	SL300009165	Transformer 230V - 12V
66	SL320001507	Rear panel support
67	SL310005969	Evaporator internal probe plug (PLAST.)
68	IC541000418	O-ring 1,78x11,11 SL 60 114 red
69	SL300970373	Compressor Spacer
70	SL320001397	Side panel support
71	SL310007085	Cable CPU-DISPLAY 8x2 LARGO 400mm
72	SL310005900	Electronic board GSM 1 EVO
73	SL310007096	Comand panel + Adhesive SPIN SUPER
74	SL310006275	Diodes brdge 35A 1000V
75	SL310004866	Spacer 12,57xØ4,75xØ4 UL 94V2
76	SL310007142	Side panel cover white
77	SL300970336	Black switch 11x30
78	SL320001593	Panel support
79	SL320001400	Front panel spacer
80	SL310005968	Internal probe subjection
81	SL320002068	Bracket condensate transp.
82	SL320003166	Reducer-to-star spigot complement GT
83	SL310006650	Switch canal
84	SL310005936	Toroidal transformer set/PMA 230/24120 VA+ACC.
85	IC511310670	Zinc screw D-933 M6X70
86	SL300002429	Jagged zinc washer D-6798A M6
87	SL31JDMG060	Zinc nut D-985 M6
88	SL320002585	Transformer support GS 1 EB

N°	Codice	Descrizione
1	SL310007126	Coperchio - parte superiore - bianco
2	SL320000011	Supporto portalampada
3	SL320001421	Portalampada
4	SL38LA10WG4	Lampada
5	SL310007125	Coperchio luminoso SPIN bianco
6	SL3GS24017A	Tappo coperchio bianco
7	SL320001245	Sottocoperchio
8	SL3GS82013A	Tappo blocco rubinetto
9	SL320001401	Molla cilindrica rubinetto
10	SL340001683	Leva rubinetto SPIN bianca
11	SL310000367	Perno rubinetto
12	SL310001367	Pistone rubinetto LD - bianco
13	SL320001550	Contatti luce coperchio
14	SL320001758	Guarnizione rubinetto LD bianca
15	SL30PZ12NT8	Tubo scarico condensa silicone 8x12 x mts.
16	SL3GS12009D	Coclea GHZ
17	SL310007141	Pannello laterale sinistro SPIN PC/ABS bianco ETL
18	SL320003164	Pannello anteriore SPIN 1 SUPER
19	SL310007128	Vaschetta sgocciolio completa bianca
19 ₁	SL310007130	Griglia vaschetta SPIN bianca
19 ₂	SL320001013	Galleggiante griglia vaschetta GT - rosso
19 ₃	SL310007129	Vaschetta scarico SPIN bianca
20	SL310007124	Coperchio luminoso completo SPIN SUPER bianco
21	SL310001843	Guarnizione Ø15 x Ø2 silicone - rossa
22	SL37TAH0401	Motoventilatore "120x120x38" 220/240V 50/60Hz
23	SL310001816	Condensatore + Filtro GHZ-114 01
24	SL320002071	Raccordo tubo scarico est. SPIN TY2 grigio
25	SL320002070	Collegamento tubo scarico int. SPIN TY2 grigio
26	SL340000887	Vasca 12 Litri
27	SL310007123	Supporto evaporatore Pz 1 bianco
28	SL310000321	Supporto evaporatore Pz 2 nero
29	SL3GS36007B	Guarnizione evaporatore/vasca
30	SL320002598	Boccola sostegno albero GHZ-G5 2M6 V/9
31	SL310006577	Evaporatore 5/16 1x3 (1) V11 EVO
32	SL310003830	Guarnizione ventosa GHZ-GB 2M6 SIL. TRANSLU.
33	SL300950069	Tappo piano evaporatore bianco
34	SL320000867	Fermo sensore magnetico
35	SL310004778	Sensore sicurezza vasca
36	SL310007133	Coperchio supporto evaporatore bianco
37	SL320002630	Tope inferiore motore
38	SL310005899	Motoriduttore BRS 24VdcØ42 70rpm VERNIS
39	SL38WBPA107	Passcavo PA107
40	SL38EAE48GL	Bobina elettrovalvola gas CEME 230V 50Hz
40	SL310005788	Bobina elettrovalvola gas OLAB 230V 50Hz
41		
42	SL310002030	Albero trascinamento completo GHZ GB TMC 06
43	SL310007117	Supporto evaporatore completo bianco

N°	Codice	Descrizione
44		
45	SL300970010	Piano evaporatore GB-110 bianco
46	SL330000119	Cappuccio di protezione interruttore 11 x 30
47	SL320002843	Filtro + Elettrovalvola
48	SL320001399	Pannello posteriore
49	SL330000096	Cappuccio di protezione interruttore 22 x 30
50	SL320003169	Telaio
51	SL310005901	Display GSM 1 EVO
52	SL310002832	Condensatore 0'022 mF 275V
53	SL300951357	Piede H. 40 mm
54	SL320002879	Supporto trasformatore luci
55	SL310007281	Sonda temperatura TS-E L.1150
56	SL310007140	Pannello laterale destro bianco
57		
58	SL300000964	Interruttore 11x30 nero
59	SL300003131	Interruttore generale luminoso 22x30 verde
60	SL320000395	Boiler
61	SL310002672	Compressore EMT2125GK 220/50
62 ₁	SL310002853	Relé compressore EMT2125GK 220/50
62 ₂	SL310002854	Salvamotore compressore EMT2125GK 220/50
62 ₃	SL310002985	Condensatore compressore EMT2125GK 220/50
63	SL310004593	Cavo alimentazione 3x1,5 3M.SCHUKO+PA107 GHZ/GT 1 TS-E
64	SL330000145	Fusibile 5x20 L250V T250MA
65	SL300009165	Trasformatore 230V - 12V
66	SL320001507	Supporto pannello post.
67	SL310005969	Tappo sonda interna evap. (PLAST.)
68	IC541000418	Guarnizione 1,78x11,11 SL 60 114 rossa
69	SL300970373	Distanziale compressore
70	SL320001397	Supporto pannello laterale
71	SL310007085	Cavo CPU-DISPLAY 8x2 LARGO 400mm
72	SL310005900	Scheda elettronica GSM 1 EVO
73	SL310007096	Pannello portacomandi + Adesivo SPIN SUPER
74	SL310006275	Ponte diodi 35A 1000V
75	SL310004866	Distanziale 12,57xØ4,75xØ4 UL 94V2
76	SL310007142	Copertura pannello laterale bianca
77	SL300970336	Interruttore 11x30 nero
78	SL320001593	Supporto pannelli
79	SL320001400	Distanziale pannello anteriore
80	SL310005968	Fermo sonda interna anteriore
81	SL320002068	Staffa condensa trasp.
82	SL320003166	Complemento rubinetto riduttore a star GT
83	SL310006650	Interruttore canal
84	SL310005936	Trasformatore tor. completo/PMA 230/24120 VA+ACC.
85	IC511310670	Vite zincato D-933 M6X70
86	SL300002429	Rondella dentellata zincata D-6798A M6
87	SL31JDMG060	Dado zincato D-985 M6
88	SL320002585	Supporto trasformatore GS 1 EB

