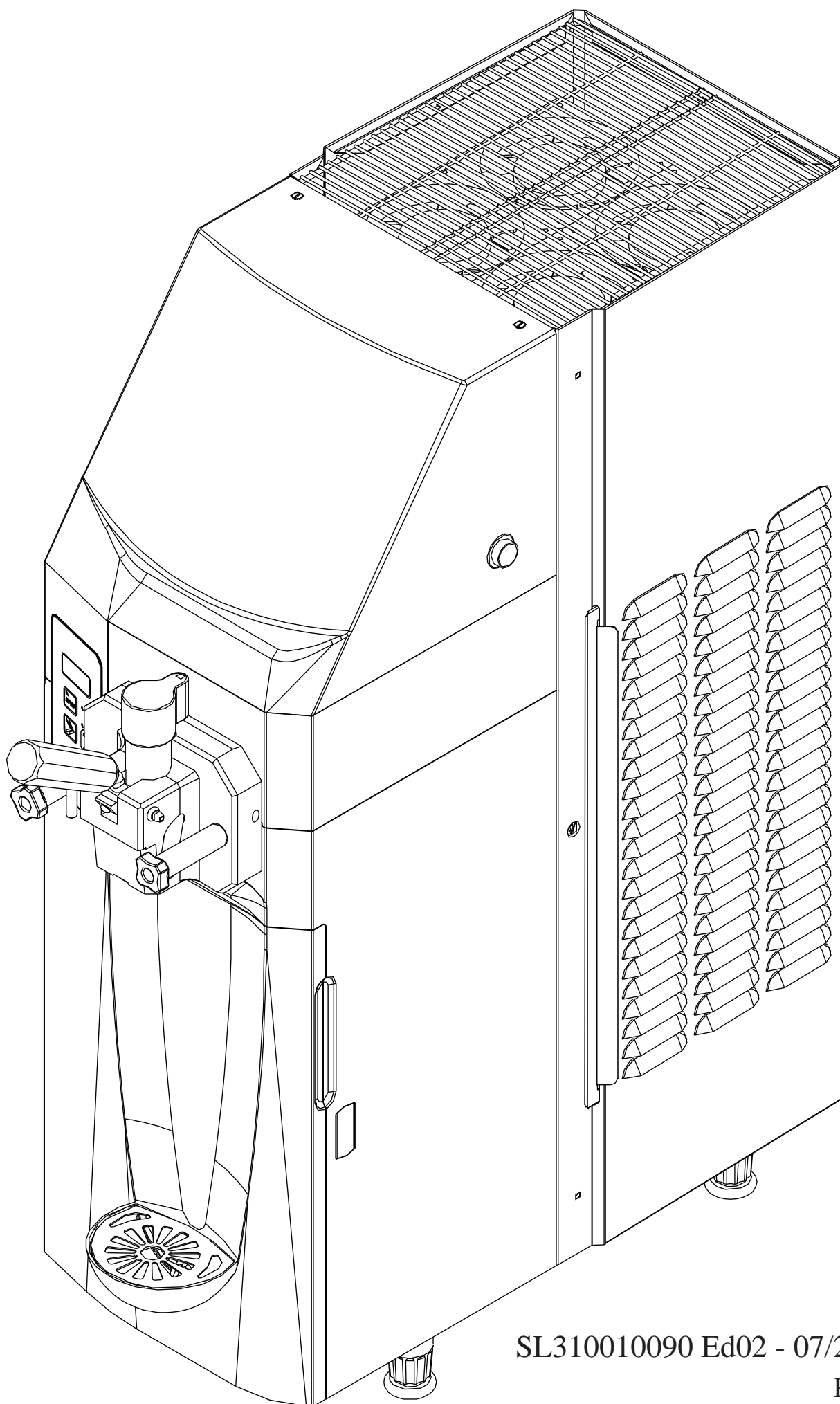
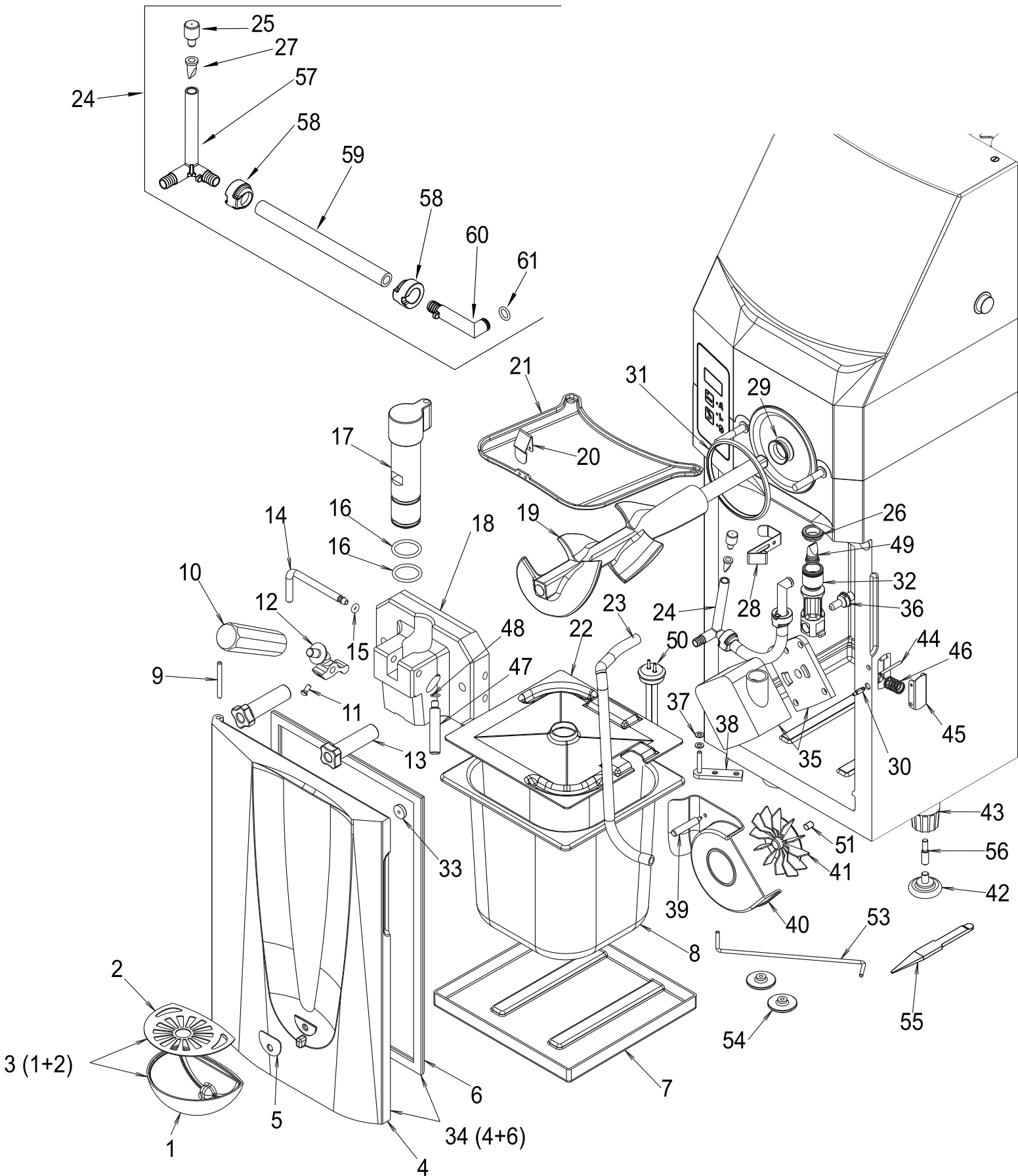


SOFTYBAR 151 FF 230/50 WHITE



SL310010090 Ed02 - 07/2014

NEVERA - FRIDGE - CABINET



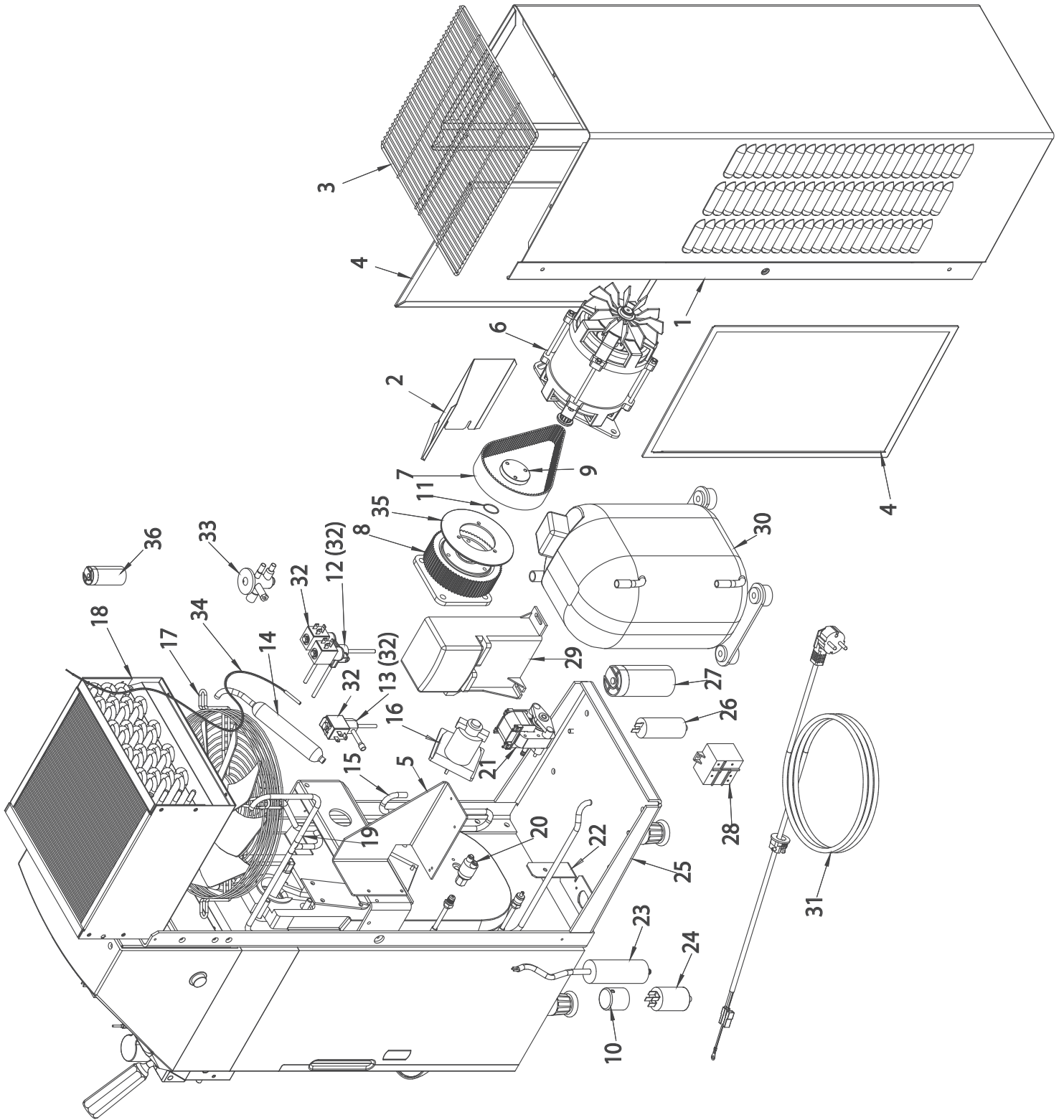
NEVERA - FRIDGE - CABINET

1	SL320003239	Bandeja goteo 121 C - blanca	Dripping tray 121 C - white	Vaschetta scarico 121 C - bianca
2	SL310010177	Rejilla goteo 121 C	Dripping grating 121 C	Griglia scarico 121 C
3	SL310007489	Bandeja + Rejilla goteo 121 C - blanca	Dripping Tray + Grating 121 C - white	Vaschetta + Griglia scarico 121 C - bianca
4	SL310009727	Puerta nevera	Fridge door	Porta cabinet
5	SL320003237	Anclaje bandeja goteo	Dripping tray anchor	Ancoraggio vaschetta scarico
6	SL320003241	Junta puerta nevera	Fridge door joint	Guarnizione porta cabinet
7	SL320003261	Bandeja inferior nevera	Fridge bottom tray	Vaschetta inferiore cabinet
8	SL330000429	Depósito inox.	Stainless steel tank	Vasca inox.
9	SL320003385	Pasador inox. puerta nevera	Stainless steel fridge door bolt	Perno inox. porta cabinet
10	IC118164050	Leva grifo - blanca	Dispensing lever - white	Leva rubinetto - bianca
11	SL310009893	Tornillo regulación	Regulation screw	Vite regolazione
12	IC118170590	Cuerpo leva grifo	Dispensing lever body	Corpo leva rubinetto
13	IC173105340	Pomo	Knob	Pomo
14	IC155162700	Pasador grifo	Tap pin	Perno rubinetto
15	IC541000285	Junta tórica 3,53x4,34	O-ring 3,53x4,34	Guarnizione 3,53x4,34
16	IC541000153	Junta tórica 3,53 26,58	O-ring 3,53 26,58	Guarnizione 3,53 26,58
17	SL310009843	Piston grifo	Tap plunger	Pistone rubinetto
18	SL320003351	Cuerpo grifo	Tap body	Corpo rubinetto
19	IC142020180	Agitador	Agitator	Agitatore
20	SL320003245	Clip bandeja superior	Top tray clip	Clip vaschetta superiore
21	SL320003246	Bandeja superior nevera	Fridge top tray	Vaschetta superiore cabinet
22	SL310010282	Tapa depósito inox.	Stainless steel tank cover	Coperchio vasca inox.
23	SL320003298	Tubo aspiración	Suction pipe	Tubo aspirazione
24	SL310010687	Conjunto tubos bomba	Pump pipes set	Insieme tubos pompa
25	SL310008444	Regulador caudal aire	Air flow regulator	Regolatore flusso aria
26	SL320003491	Junta tubo entrada	Inlet pipe joint	Guarnizione tubo ingresso
27	IC1717110220	Válvula entrada aire	Air inlet valve	Válvula ingreso aria
28	SL320003244	Sujeción tubo ingreso	Inlet pipe subjection	Fermo tubo ingresso
29	IC177120260	Prensaestopa agitador	Agitator drive shaft seal	Premistoppa agitatore
30	SL320003322	Retén cierre puerta nevera	Fridge door enclosure retainer	Perno chiusura porta cabinet
31	IC541000188	Junta tórica 5,34x91,44	O-ring 5,34x91,44	Guarnizione 5,34x91,44
32	SL320003467	Tubo entrada	Inlet pipe	Tubo ingresso
33	SL330000436	Magneto puerta nevera	Fridge door magnet	Porta cabinet magnete
34	SL310009726	Puerta nevera - blanca	Fridge door - white	Porta cabinet - bianca

NEVERA - FRIDGE - CABINET

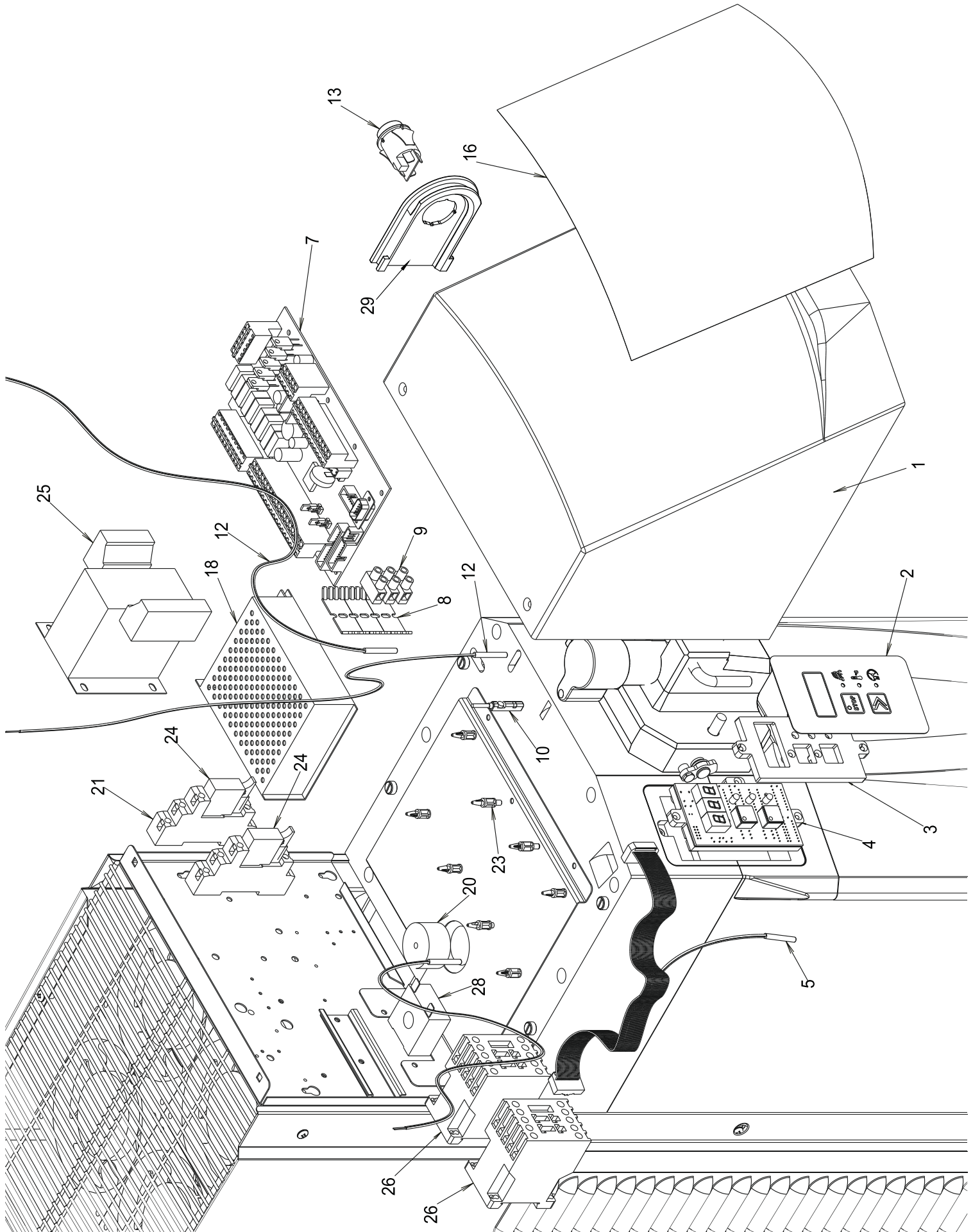
	Bomba	Pump	Pompa
35	SL310009561		
36	SL320003307	Fridge temperature probe racor	Raccordo sonda temperatura cabinet
37	SL330000437	Steab washer	Rondella steab
38	SL320003232	Fridge door hinge	Cerniera porta cabinet
39	SL320003340	Turbine cover fixing bolt	Perno fermo coperchio turbina
40	SL320003335	Turbine cover	Coperchio turbina
41	SL330000438	Fridge fan motor turbine	Turbina motoventilatore cabinet
42	SL300350856	Nonslip foot	Piede antiscivolo
43	SL300951357	Leveling foot	Piede livellatore
44	SL320003337	Fridge door lever bolt	Perno leva porta cabinet
45	SL320003323	Fridge door enclosure lever	Leva chiusura porta cabinet
46	SL310007766	Fridge door enclosure spring	Molla chiusura porta cabinet
47	SL320003350	Tap body bolt	Perno corpo rubinetto
48	SL310009259	O-ring 6,00 x 2	Guarnizione 6,00 x 2
49	IC177110350	Non-return valve	Valvola di non ritorno
50	SL310009431	Level probe	Sonda livello
51	SL310010335	Fridge fan motor turbine gasket	Boccola turbina motoventilatore cabinet
52			
53	SL310008148	Door rod	Asta porta
54	SL310008142	Door rod guide	Guida asta porta
55	SL320003428	O-rings extractor	Estrattore guarnizioni
56	SL320003370	Stainless steel M6-M8 bolt	Perno M6-M8 inox.
57	SL310009789	Air inlet valve support	Supporto valvola ingresso aria
58	SL320003294	Pump pipe retainer gasket	Boccola chiusura tubo pompa
59	SL320003453	Pump pipe	Tubo pompa
60	SL320003292	Inlet pipe connection	Connessione tubo ingresso
61	SL310009259	O-ring 6,00 x 2	Guarnizione 6,00 x 2

TRANSMISIÓN/FRÍO - TRANSMISSION/COLD - TRASMISSIONE/FREDDO



TRANSMISIÓN/FRÍO - TRANSMISSION/COLD - TRASMISSIONE/FREDDO

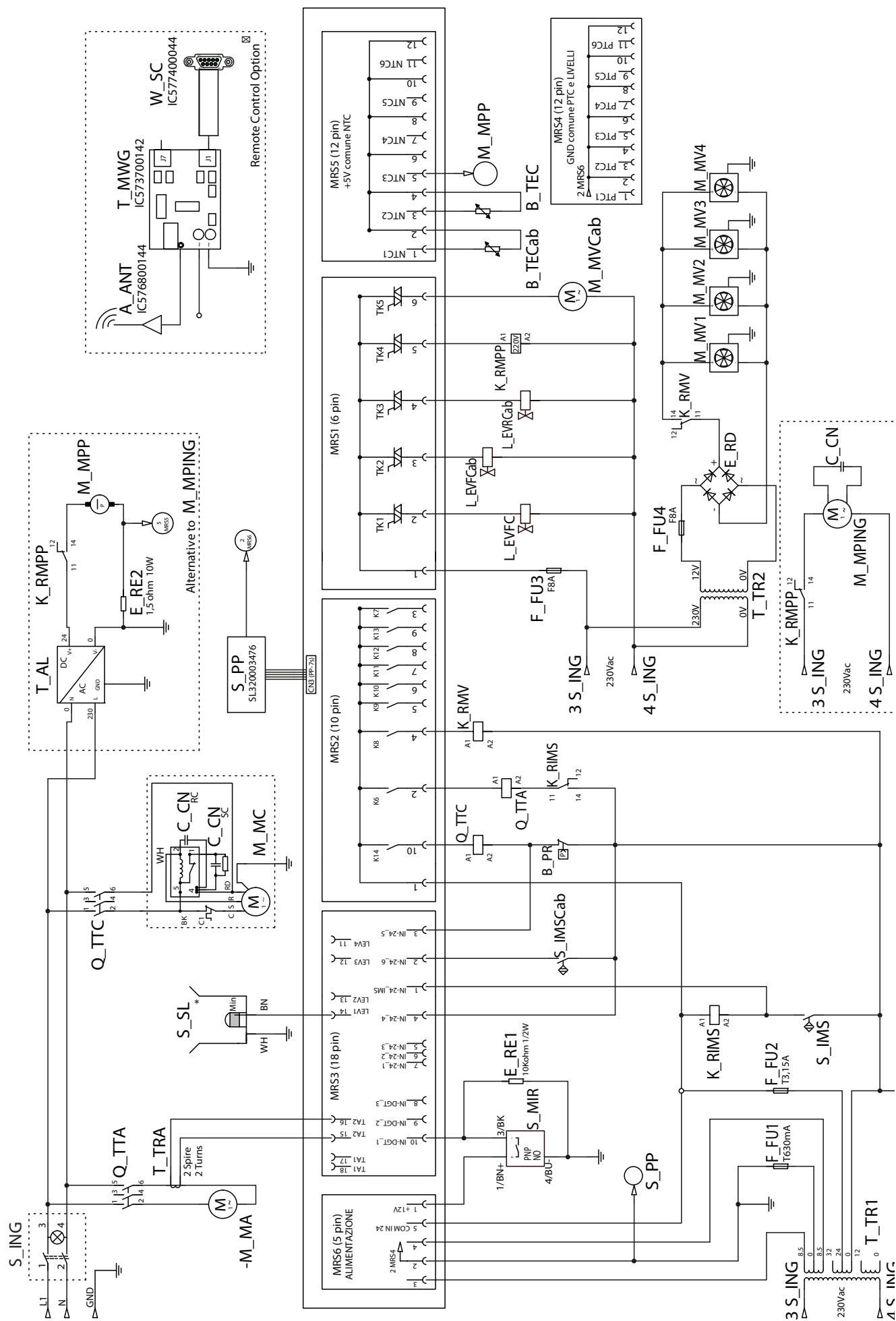
1	SL320003263	Panel en "U"	"U" Panel	Pannello in "U"
2	SL310010192	Protector condensación	Condensation protection	Protezione condensazione
3	SL310009495	Rejilla superior	Top grid	Griglia superiore
4	SL320003265	Filtro de aire	Air filter	Filtro d'aria
5	SL310010193	Soporte caja compresor	Compressor box support	Supporto scatola compressore
6	SL310008726	Motor agitador	Agitator motor	Motore agitatore
7	SL310008605	Correa de transmisión	Transmission belt	Cinghia de trasmissione
8	SL310007473	Conjunto polea motor	Motor pulley set	Puleggia motore completa
9	SL310008745	Tapa polea	Pulley cover	Coperchio puleggia
10	SL310008805	Tapa condensador motor agitador	Agitator motor capacitor cover	Tappo condensatore motore agitatore
11	IC541000423	Junta tórica 1,78 20,35	O-ring 1,78 20,35	Guarnizione 1,78 20,35
12	SL3GS24711B	Electroválvula doble CEME 230V 50Hz	Double electrovalve CEME 230V 50Hz	Electrovalvola doppia CEME 230V 50Hz
12	SL310005790	Electroválvula doble OLAB 230V 50Hz	Double electrovalve OLAB 230V 50Hz	Electrovalvola doppia OLAB 230V 50Hz
12	SL310009506	Electroválvula doble OLAB 240V 50Hz UK	Double electrovalve OLAB 240V 50Hz UK	Electrovalvola doppia OLAB 240V 50Hz UK
13	SL330000419	Electroválvula simple CEME 230V 50Hz	Single electrovalve CEME 230V 50Hz	Electrovalvola singola CEME 230V 50Hz
13	SL330000443	Electroválvula simple OLAB 230V 50Hz	Single electrovalve OLAB 230V 50Hz	Electrovalvola singola OLAB 230V 50Hz
13	SL310009520	Electroválvula simple OLAB 240V 50Hz UK	Single electrovalve OLAB 240V 50Hz UK	Electrovalvola singola OLAB 240V 50Hz UK
14	SL310007453	Filtro	Filter	Filtro
15	SL310008895	Tubo completo compresor - evaporador	Compressor - evaporator pipe set	Tubo completo compressore - evaporatore
16	SL330000432	Motor bomba	Pump motor	Motore pompa
17	IC551090252	Motoventilador 230V	Fan motor 230V	Motoventilatore 230V
18	SL310009093	Condensador	Condenser	Condensatore
19	SL310009622	Tubo completo compresor - condensador	Compressor - condenser pipe set	Tubo completo compressore - condensatore
20	SL310007543	Presostato	Cut of pressure	Pressostato
21	SL310008783	Motor + turbina nevera	Motor + fridge turbine	Motore + turbina cabinet
22	SL320003336	Soporte condensadores motor agitador	Agitator motor capacitors support	Supporto condensatore motore agitatore
23	SL310007556	Condensador arranque motor agitador	Agitator motor capacitor	Condensatore motore agitatore
24	SL310008239	Condensador marcha motor agitador	Agitator motor running capacitor	Condensatore marcia motore agitatore
25	SL310007524	Chasis	Chassis	Telaio
26	SL310008196	Condensador marcha compresor	Compressor running capacitor	Condensatore marcia compressore
27	SL310008195	Condensador arranque compresor	Compressor capacitor	Condensatore compressore
28	SL310008197	Relé compresor	Compressor relay	Relé compressore
29	SL310008191	Caja maniobras compresor	Compressor operation box	Scatola manovre compressore
30	IC561142421	Compresor	Compressor	Compressore
31	SL320003268	Cable alimentación	Power cable	Cavo alimentazione
31	SL310007984	Cable alimentación UK	Power cable UK	Cavo alimentazione UK
31	SL310008398	Cable alimentación AUST	Power cable AUST	Cavo alimentación AUST
32	SL38FAE48GL	Bobina electroválvula gas CEME 230V 50Hz	Gas electrovalve bobbin CEME 230V 50Hz	Bobina elettrovalvola gas CEME 230V 50Hz
32	SL310005788	Bobina electroválvula gas OLAB 230V 50Hz	Gas electrovalve bobbin OLAB 230V 50Hz	Bobina elettrovalvola gas OLAB 230V 50Hz
32	SL310008839	Bobina electroválvula gas OLAB 240V 50Hz UK	Gas electrovalve bobbin OLAB 230V 50Hz UK	Bobina elettrovalvola gas OLAB 230V 50Hz UK
33	SL310008827	Válvula de expansión termostática	Thermostatic expansion valve	Válvula espansione termostatica
34	IC572910115	Sonda filtro	Filter probe	Sonda filtro
35	SL310009429	Guía polea	Pulley guide	Guida puleggia
36	SL310010440	Condensador marcha ventilador	Fan running capacitor	Condensatore marcia ventilatore



COMPONENTES ELECTRÓNICOS - ELECTRONIC COMPONENTS - ELETTRONICA

1	SL310008965	Cubierta superior blanca + Adhesivo	Top cover white + Adhesive	Coperchio superiore bianco + Adesivo
2	SL310008828	Adhesivo panel mandos	Command panel adhesive	Adesivo pannello portacomandi
3	SL320003293	Soporte panel mandos	Command panel support	Supporto pannello portacomandi
4	SL320003476	Tarjeta electrónica panel mandos	Command panel electronic board	Scheda elettronica pannello portacomandi
5	IC572910103	Sonda de temperatura nevera	Fridge temperature probe	Sonda temperatura cabinet
6				
7	IC573700115	Tarjeta electrónica	Electronic board	Scheda elettronica
8	SL300950737	Accesorio regleta	Connection block supplement	Supplemento morsettiere
9	SL300950228	Regleta conexiones	Connection block	Morsettiere
10	IC572910188	Sensor magnético grifo	Tap magnetic sensor	Sensore magnetico rubinetto
11				
12	SL330000243	Sensor magnético puerta nevera	Fridge door magnetic sensor	Sensore magnetico porta cabinet
13	SL330000461	Interruptor general verde	Green main switch	Interruttore generale verde
14				
15				
16	SL310008441	Adhesivo cubierta superior	Top cover adhesive	Adesivo coperchio superiore
17				
18	IC571201026	Fuente alimentación	Power supply	Alimentatore
19				
20	SL310007754	Tapón sonda de temperatura producto	Product temperature probe plug	Tappo sonda temperatura prodotto
21	IC578700165	Soporte relé	Relay support	Supporto relé
22				
23	SL310004866	Disociador	Spacer	Distanziale
24	IC571200545	Relé	Relay	Relé
25	IC574100328	Transformador 1 - 100VA 0-24/8,5-0-8,5/0-12	Transformer 1 - 100VA 0-24/8,5-0-8,5/0-12	Transformatore 1 - 100VA 0-24/8,5-0-8,5/0-12
26	SL310008962	Contacto	Contacto	Contattore
27				
28	IC574100302	Transformador amperométrico	Amperometric transformer	Transformatore amperométrico
29	SL310010178	Soporte interruptor general verde	Green main switch support	Supporto interruttore generale verde

ESQUEMA ELÉCTRICO - WIRING DIAGRAM - SCHEMA ELETTRICO



ESQUEMA ELÉCTRICO - WIRING DIAGRAM - SCHEMA ELETRICO

Descripción	Description	Description	Descrição
A_ANT	ANTENNA	ANTENNE	ANTENA
B_PR	PRESSOSTATO	PRESSOSTAT	PRESOSTATO
TEC	TERMOSTATO CILINDRO	SONDE TEMPERATURE PRODUIT	SONDA TEMPERATURA PRODUTO
TECAB	TERMOSTATO NEVERA	SONDE TEMPERATURE FRIGIDAIRE	SONDA TEMPERATURA NEVEIRA
TECh	SONDA TEMPERATURA CONDENSADOR	SONDE TEMPERATURE CONDENSEUR	SONDA TEMPERATURA CONDENSADOR
E_RE	RESISTENCIA ELECTRICA	ELECTRIC RESISTANCE	RESISTENCIA ELECTRICA
F_FU	FUSIBLE	FUSE	FUSIBLE
K_RIMS	RELE IMS	RELAIS IMS	RELE IMS
K_RMPP	RELE MPP	MPP RELAY	RELE MPP
L_EVFC	ELECTROVALVULA CILINDRO	CYLINDER COOLING SOLENOID VALVE	ELECTROVALVULA CILINDRO
L_EVFCab	ELECTROVALVULA FRIO NEVERA	FRIDGE COLD GAS SOLENOID VALVE	ELECTROVALVULA GAS FRIO NEVEIRA
L_EVRCab	ELECTROVALVULA CALOR NEVERA	FRIDGE HEATING SOLENOID VALVE	ELECTROVALVULA GAS QUENTE
M_MA	MOTOR AGITADOR	AGITATOR MOTOR	MOTOR AGITADOR
M_MC	MOTOR COMPRESOR	COMPRESSOR MOTOR	COMPRESSOR
S_SL	SONDA NIVEL CABINET (OPT)	CABINET LEVEL PROBE (OPT)	SONDA NIVEL CABINET (OPT)
M_MPP	MOTOR BOMBA PERISTALTICA	PERISTALTIC PUMP MOTOR	BOMBA
M_MV	MOTOR VENTILADOR	FAN MOTOR	MOTOVENTILADOR
M_MVCab	MOTOR VENTILADOR NEVERA	FRIDGE FAN MOTOR	MOTOR TURBINA NEVEIRA
Q_TTA	CONTACTOR MOTOR AGITADOR	AGITATOR MOTOR CONTACTOR	CONTACTOR MOTOR AGITADOR
Q_TTC	CONTACTOR MOTOR COMPRESOR	COMPRESSOR MOTOR CONTACTOR	CONTACTOR COMPRESOR
S_CPU	UNIDAD CENTRAL DE PROCESAMIENTO	CENTRAL PROCESSING UNIT	CPU
S_IMS	INTERRUPTOR MAGNETICO DE SEGURIDAD	SAFETY MAGNETIC SWITCH	SENSOR MAGNETICO CORPO TORNEIRA
S_IMScab	INTERRUPTOR MAGNETICO DE SEG. NEVERA	FRIDGE SAFETY MAGNETIC SWITCH	SENSOR MAGNETICO PORTA NEVEIRA
S_IG	INTERRUPTOR GENERAL	MAIN SWITCH	INTERRUPTOR GENERAL
S_MIR	MICROINTERRUPTOR GRIFO	SPIGOT MICROSWITCH	SENSOR MAGNETICO TORNEIRA
S_PP	CAJA DE PULSADORES	PUSH-BUTTON PANEL	PLACA ELECTRONICA PAINEL COMANDOS
T_AL	FUENTE DE ALIMENTACION	POWER SUPPLY	FONTE ALIMENTAÇÃO
T_MMWG	CENTRALITA ELECTRONICA MICRO WEB GATE	MICRO WEB GATE ELECTRONIC BOARD	CENTRALITA MICRO WEB GATE
T_TR	TRANSFORMADOR	TRANSFORMER	TRANSFORMADOR PLACA ELECTRONICA
T_TRA	TRANSFORMADOR AMPEROMETRICO	CURRENT TRANSFORMER	TRANSFORMADOR AMPERIMETRICO
W_SC	CABLE SERIE	SERIAL CABLE	CABLE SERIE

SOFTYBAR 151 FF 230/50 WHITE	V01
SOFTYBAR 151 FF 230/50 WHITE UK	V01
SOFTYBAR 151 FF 230/50 WHITE AUST	V01