

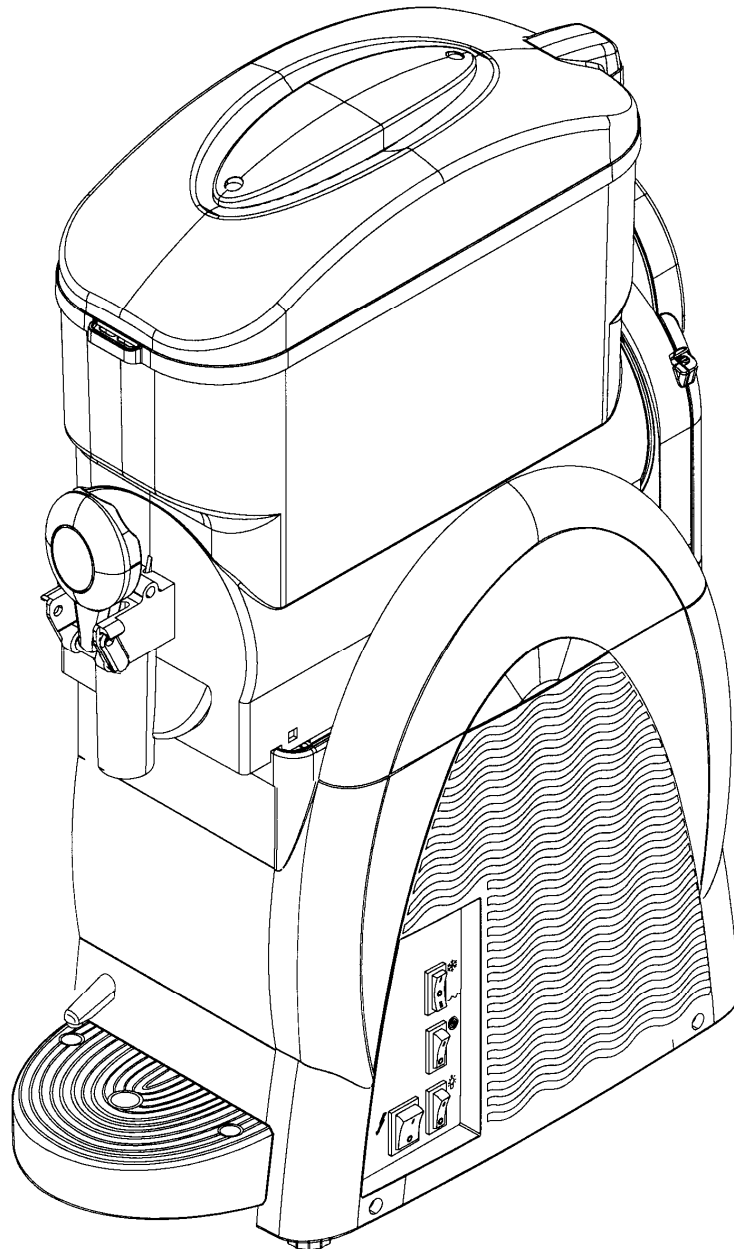
LISTA DE PIEZAS DE RECAMBIO

GRANIZADORA DE BANCO

SPIN 12-1 CE GRIS

Ref.: SL8SP121090

230-240 V. / 50 Hz.

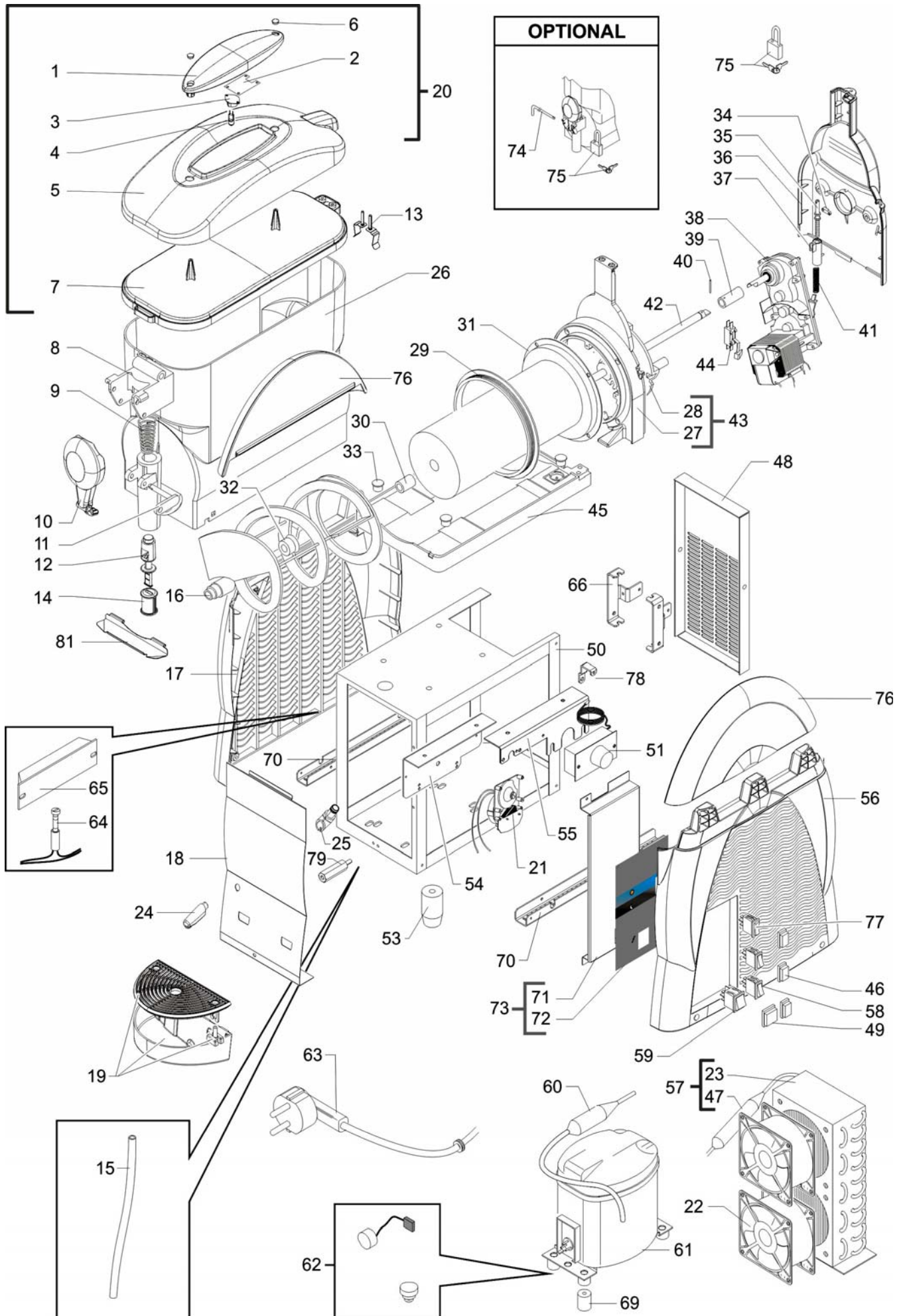


LISTA DE PIEZAS MAQUINA DE 1 DEPÓSITO

Nº	Referencia	Denominación
1	SL320001244	Tapa – parte superior
2	SL320000011	Soporte portalámparas
3	SL320001421	Portalámparas
4	SL38LA10WG4	Lámpara
5	SL320001348	Tapa luminosa
6	SL320001384	Tapón tapa gris
7	SL320001245	Base tapa
8	SL3GS82013A	Tapón bloqueo grifo
9	SL320001401	Resorte cilíndrico grifo
10	SL340001069	Palanca grifo
11	SL310000367	Perno grifo
12	SL310001367	Pistón grifo
13	SL320001550	Contactos luz tapa
14	SL320001758	Junta grifo
15	SL320000054	Tubo desagüe
16	SL3GS12009D	Pala espiral completa
17	SL320001237	Panel lateral izquierdo
18	SL320001398	Panel frontal
19	SL340000885	Cuba receptora de goteo completa gris
20	SL340000884	Tapa luminosa completa
21	SL320001536	Temporizador 220/240V 50Hz
22	SL37TAH0401	Motoventilador "120x120x38" 220/240V50/60Hz
23	SL300951611	Condensador
24	SL320001235	Unión condensación externa
25	SL320001234	Unión condensación interna
26	SL340000887	Depósito 12 Litri 230V
27	SL320001241	Soporte evaporador PZ-1 gris
28	SL300951869	Soporte evaporador PZ-2 blanco
29	SL3GS36007B	Junta evaporador/depósito
30	SL300951752	Casquillo evaporador
31	SL300950104	Evaporador
32	SL300951857	Junta estanqueidad eje
33	SL320001342	Tapón bandeja superior - gris
34	SL3GS12036A	Sujeción sistema regulación
35	SL3GS12035A	Vástago regulación
36	SL320001553	Tapa soporte evaporador - gris
37	SL3GS12037B	Guía muelle sistema regulación
38	SL330000338	Motorreductora 230V 50Hz
39	SL310002029	Racord eje transmisión TMC 06
40	SL310002027	Pasador inox DIN 1481 Ø4x18
41	SL3GS12038A	Muelle regulación duro

Nº	Referencia	Denominación
42	SL310002028	Eje transmisión GHZ GB TMC 06
43	SL340000876	Soporte evaporador completo gris
44	SL300950587	Minirruptor completo
45	SL320001373	Bandeja superior - gris
46	SL330000119	Protección interruptor 11 x 30
47	SL320000391	Filtro
48	SL320001399	Panel trasero
49	SL330000096	Protección interruptor 22 x 30
50	SL320001162	Chasis completo
51	SL320000464	Termostato mecánico
52		
53	SL300951357	Pie nivelador H. 40 mm
54	SL320001154	Soporte transformador negro
55	SL320001155	Soporte termóstato/temporizador cíclico
56	SL320001236	Panel lateral derecho
57	SL340000196	Grupo condensador completo
58	SL300000964	Interruptor 11x30 negro
59	SL300003131	Interruptor general luminoso 22x30 verde
60	SL320000395	Caldera
61	SL37ZE01116	Compresor NB1116Z 220/50
62	-----1	Piezas eléctricas compres. NB1116Z 220/50
63	SL320001419	Cable alimentación enchufe Schuko
64	SL330000145	Fusible 5x20 L250V T250MA
65	SL300009165	Transformador 230V - 12V
66	SL320001507	Soporte panel trasero
67		
68		
69	SL300970373	Distanciador compresor
70	SL320001397	Soporte panel lateral
71	SL320001351	Panel portamandos
72	SL320001387	Adhesivo portamandos
73	SL320001390	Panel portamandos completo
74	SL320001138	Eje cierre grifo
75	SL3GS24118A	Candado
76	SL340001070	Cobertura panel lateral
77	SL300951089	Desviador 11x30 negro
78	SL320001593	Soporte panel
79	SL320001400	Distanciador panel fronterizo
80		
81	SL320001653	Abrazadera condensado

DESPIECE MÁQUINA DE 1 DEPÓSITO



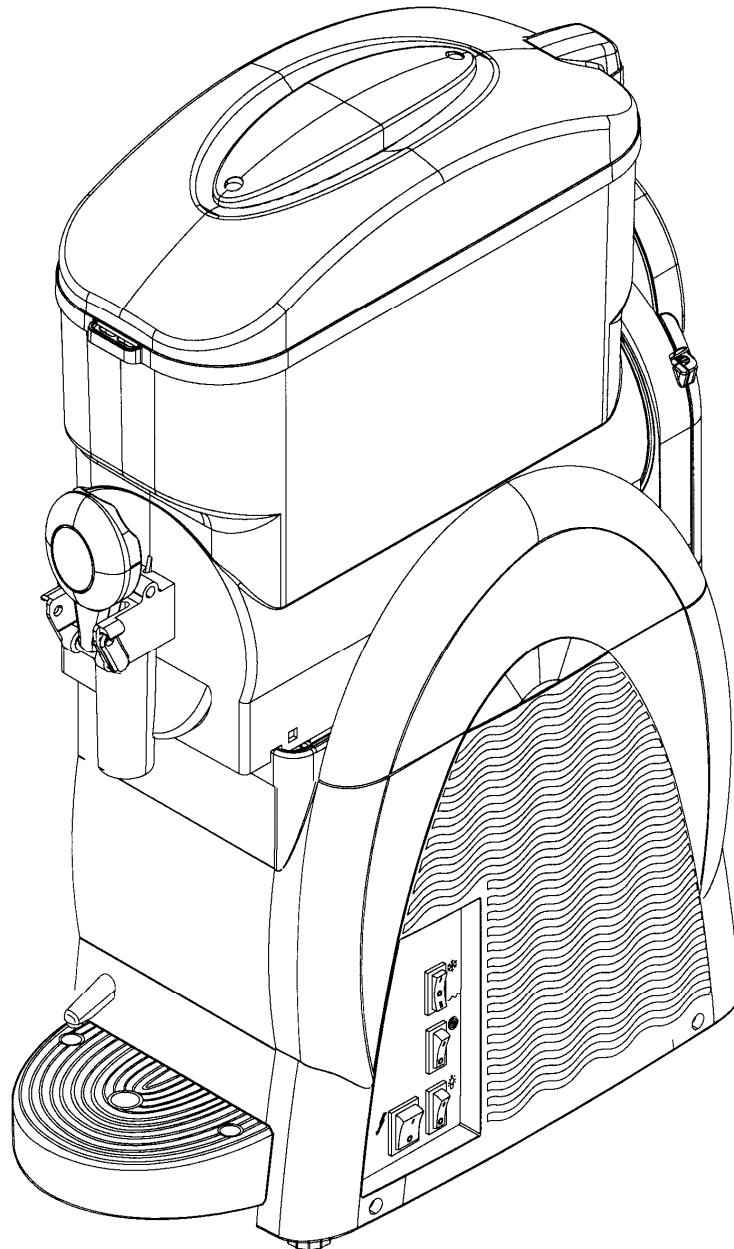
LIST OF COMPONENTS PARTS

GRANITA MACHINE

SPIN 12-1 CE GREY

Ref.: SL8SP121090

230-240 V. / 50 Hz.

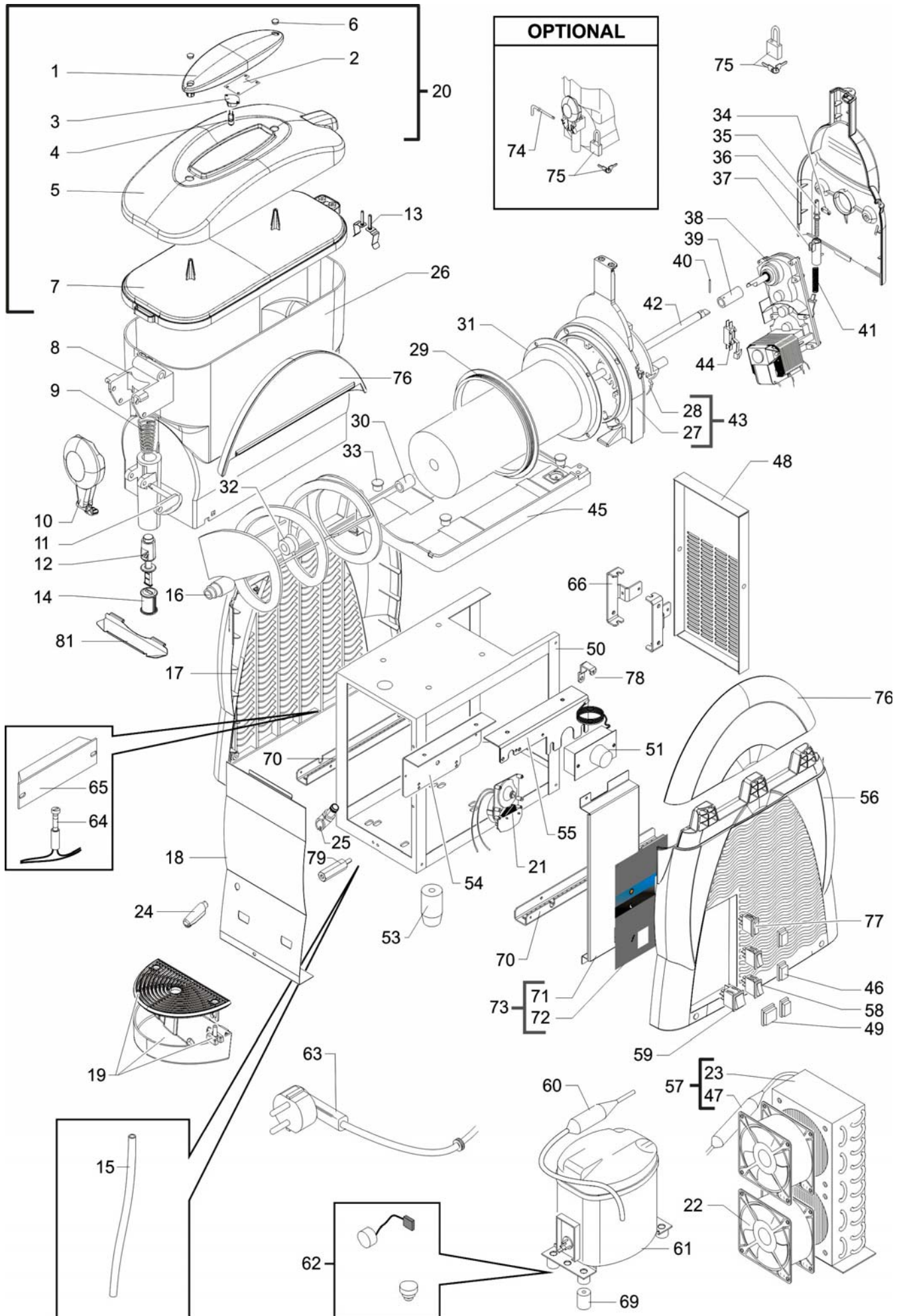


LIST OF COMPONENTS PARTS 1 TANK MACHINE

N°	Reference	Description
1	SL320001244	Topper - upper part
2	SL320000011	Bulb holder support
3	SL320001421	Bulb holder
4	SL38LA10WG4	Bulb
5	SL320001348	Light topper
6	SL320001384	Cover bung grey
7	SL320001245	Undercover
8	SL3GS82013A	Spigot tap holder
9	SL320001401	Cylindrical spring cock
10	SL340001069	Spigot handle
11	SL310000367	Spigot pin
12	SL310001367	Spigot piston
13	SL320001550	Cover light contacts
14	SL320001758	Spigot sealing plug
15	SL320000054	Drain pipe
16	SL3GS12009D	Auger spiral
17	SL320001237	Left panel
18	SL320001398	Front panel
19	SL340000885	Drip tray assy - Grey
20	SL340000884	Complete illuminated cover
21	SL320001536	Timer motor 220/240V 50Hz
22	SL37TAH0401	Fan motor "120x120x38" 220/240V50/60Hz
23	SL300951611	Condenser
24	SL320001235	External condensation union
25	SL320001234	Internal condensation union
26	SL340000887	Bowl 12 Litres 230V
27	SL320001241	Evaporator support Pz 1 - Grey
28	SL300951869	Evaporator support Pz 2 - White
29	SL3GS36007B	Evaporator/bowl rear gasket
30	SL300951752	Shaft supporting bushing
31	SL300950104	Evaporator
32	SL300951857	Evaporator/auger spiral rubber attachment
33	SL320001342	Evaporator tray bung - Grey
34	SL3GS12036A	Hardness control pin catch
35	SL3GS12035A	Hardness control pin
36	SL320001553	Evaporator support cover - Grey
37	SL3GS12037B	Hardness control pin bushing
38	SL330000338	Gear motor 230V 50Hz
39	SL310002029	Transmission shaft racor TMC 06
40	SL310002027	Stainless steel blade pin DIN 1481 Ø4x18
41	SL3GS12038A	Torque compression spring

N°	Reference	Description
42	SL310002028	Beater Drive Shaft GHZ GB TMC 06
43	SL340000876	Evaporator support assy - Grey
44	SL300950587	Limit switch
45	SL320001373	Evaporator tray - Grey
46	SL330000119	Cover protection for switch 11 x 30
47	SL320000391	Dryer
48	SL320001399	Rear panel
49	SL330000096	Cover protection for switch 22 x 30
50	SL320001162	Chassis
51	SL320000464	Thermostat
52		
53	SL300951357	Foot H. 40 mm
54	SL320001154	Black transformer support
55	SL320001155	Thermostat/cyclic timer support
56	SL320001236	Right panel
57	SL340000196	Condenser group assy
58	SL300000964	Switch 11x30 - Black
59	SL300003131	Light main switch 22x30 - Green
60	SL320000395	Receiver
61	SL37ZE01116	Compressor NB1116Z 220/50
62	-----1	Kit electric parts compres. NB1116Z 220/50
63	SL320001419	Power cable with Schuko plug
64	SL330000145	Fuse 5x20 L250V T250MA
65	SL300009165	Transformer 230V - 12V
66	SL320001507	Rear panel support
67		
68		
69	SL300970373	Compressor Spacer
70	SL320001397	Side panel support
71	SL320001351	Control panel
72	SL320001387	Control board adhesive
73	SL320001390	Complete control panel
74	SL320001138	Spigot closing rod
75	SL3GS24118A	Padlock
76	SL340001070	Side panel cover
77	SL300951089	Change-over switch 11x30 - Black
78	SL320001593	Panel support
79	SL320001400	Front panel spacer
80		
81	SL320001653	Bracket condensate

EXPLODED VIEW 1 TANK MACHINE

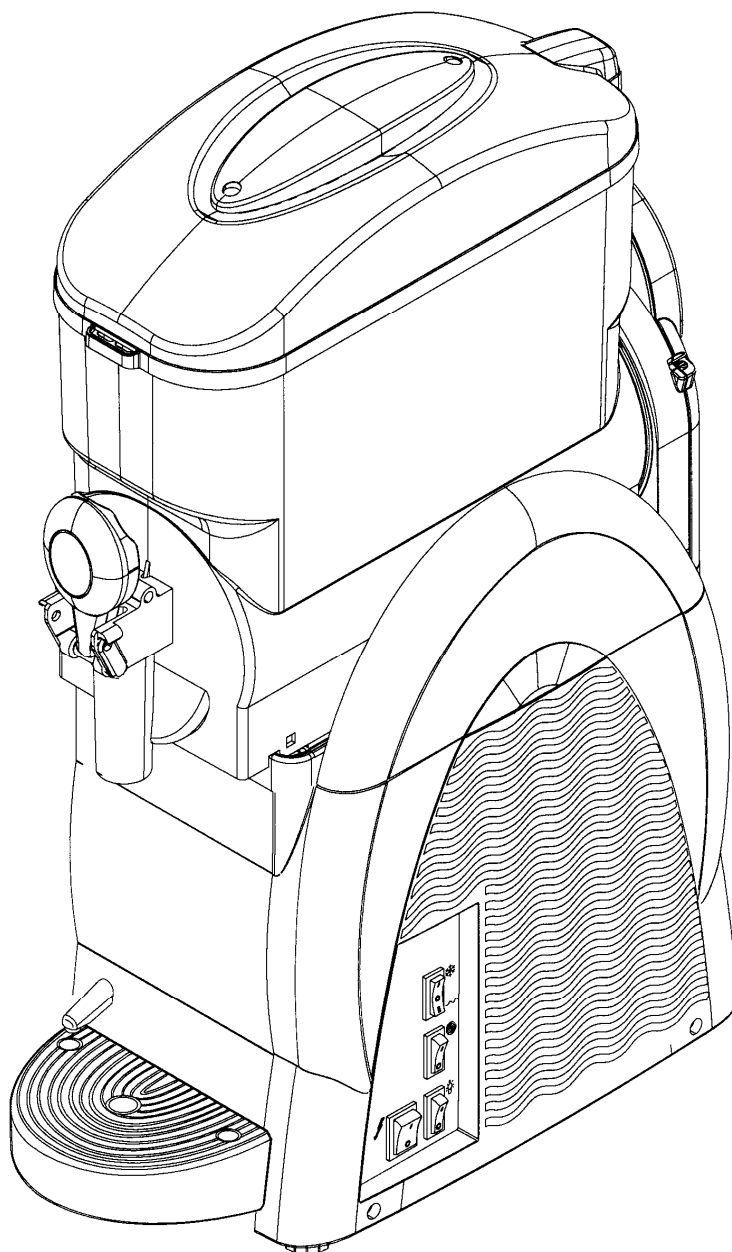


LISTA RICAMBI
GRANITORE DA BANCO

SPIN 12-1 CE GRIGIO

Ref.: SL8SP121090

230-240 V. / 50 Hz.



ELENCO COMPONENTI GRANITORE 1 VASCA

N°	Codice	Descrizione
1	SL320001244	Coperchio - parte superiore
2	SL320000011	Supporto portalampada
3	SL320001421	Portalampada
4	SL38LA10WG4	Lampada
5	SL320001348	Coperchio luminoso
6	SL320001384	Tappo coperchio grigio
7	SL320001245	Sottocoperchio
8	SL3GS82013A	Tappo blocco rubinetto
9	SL320001401	Molla cilindrica rubinetto
10	SL340001069	Leva rubinetto
11	SL310000367	Perno rubinetto
12	SL310001367	Pistone rubinetto
13	SL320001550	Contatti luce coperchio
14	SL320001758	Guarnizione rubinetto
15	SL320000054	Tubo scarico condensa
16	SL3GS12009D	Coclea
17	SL320001237	Pannello sinistro
18	SL320001398	Pannello anteriore
19	SL340000885	Vaschetta sgocciolio completa grigio
20	SL340000884	Coperchio luminoso completo
21	SL320001536	Temporizzatore 220/240V 50Hz
22	SL37TAH0401	Motoventilatore "120x120x38" 220/240V 50/60Hz
23	SL300951611	Condensatore frigo
24	SL320001235	Raccordo condensa esterno
25	SL320001234	Raccordo condensa interno
26	SL340000887	Vasca 12 Litri 230V
27	SL320001241	Supporto evaporatore Pz 1 grigio
28	SL300951869	Supporto evaporatore Pz 2 Bianco
29	SL3GS36007B	Guarnizione evaporatore/vasca
30	SL300951752	Boccola sostegno albero
31	SL300950104	Evaporatore
32	SL300951857	Guarnizione ventosa evaporatore/coclea
33	SL320001342	Tappo piano evaporatore Grigio
34	SL3GS12036A	Fermo perno regolazione durezza
35	SL3GS12035A	Perno regolazione durezza
36	SL320001553	Coperchio supporto evaporatore Grigio
37	SL3GS12037B	Boccola perno regolazione durezza
38	SL330000338	Motoriduttore 230V 50Hz
39	SL310002029	Raccordo albero trascinamento TMC 06
40	SL310002027	Spina inox DIN 1481 Ø4x18
41	SL3GS12038A	Molla regolazione durezza

N°	Codice	Descrizione
42	SL310002028	Albero trascinamento GHZ GB TMC 06
43	SL340000876	Supporto evaporatore completo grigio
44	SL300950587	Microinterruttore
45	SL320001373	Piano evaporatore grigio
46	SL330000119	Cappuccio di protezione interruttore 11 x 30
47	SL320000391	Filtro
48	SL320001399	Pannello posteriore
49	SL330000096	Cappuccio di protezione interruttore 22 x 30
50	SL320001162	Telaio
51	SL320000464	Termostato
52		
53	SL300951357	Piede H. 40 mm
54	SL320001154	Supporto trasformatore nero
55	SL320001155	Supporto termostato/ciclico
56	SL320001236	Pannello destro
57	SL340000196	Gruppo condensatore assiemato
58	SL300000964	Interruttore 11x30 nero
59	SL300003131	Interruttore generale luminoso 22x30 verde
60	SL320000395	Boiler
61	SL37ZE01116	Compressore NB1116Z 220/50
62	-----1	Parti elettriche compres. NB1116Z 220/50
63	SL320001419	Cavo alimentazione spina Schuko
64	SL330000145	Fusibile 5x20 L250V T250MA
65	SL300009165	Trasformatore 230V - 12V
66	SL320001507	Supporto pannello post.
67		
68		
69	SL300970373	Distanziale compressore
70	SL320001397	Supporto pannello laterale
71	SL320001351	Pannello portacomandi
72	SL320001387	Adesivo portacomandi
73	SL320001390	Pannello portacomandi assiemato
74	SL320001138	Asta di chiusura rubinetto
75	SL3GS24118A	Lucchetto
76	SL340001070	Copertura pannello laterale
77	SL300951089	Inter. Dev.11x30 I-0-II nero
78	SL320001593	Supporto pannelli
79	SL320001400	Distanziale pannello anteriore
80		
81	SL320001653	Staffa condensa

ESPLOSO DISEGNO GRANITORE 1 VASCA

