

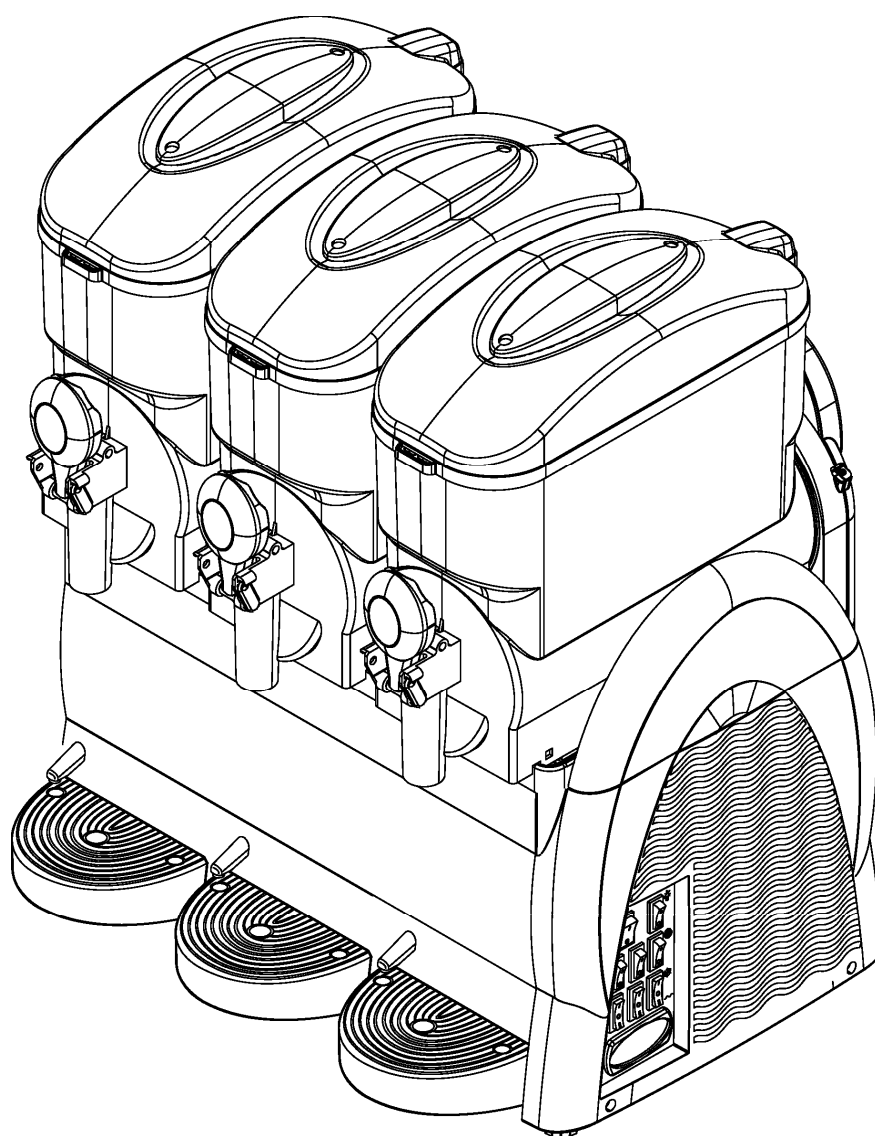
LISTA DE PIEZAS DE RECAMBIO  
LIST OF COMPONENTS PARTS  
LISTA RICAMBI

GRANIZADORA DE BANCO  
GRANITA MACHINE  
GRANITORE DA BANCO

**SPIN 12-3 TS-E CE GREY**

Ref.: SL8SP123185

230-240 V. / 50 Hz.



## LISTA DE PIEZAS

Nº	Referencia	Denominación
1	SL320001244	Tapa - parte superior
2	SL320000011	Soporte portalámparas
3	SL320001421	Portalámparas
4	SL38LA10WG4	Lámpara
5	SL320001348	Tapa luminosa
6	SL320001384	Tapón tapa gris
7	SL320001245	Base tapa
8	SL3GS82013A	Tapón bloqueo grifo
9	SL320001401	Resorte cilíndrico grifo
10	SL340001069	Palanca grifo
11	SL310000367	Perno grifo
12	SL310001367	Pistón grifo
13	SL320001550	Contactos luz tapa
14	SL320001758	Junta grifo
15	SL320000054	Tubo desagüe
16	SL3GS12009D	Pala espiral completa
17	SL320002183	Panel lateral izquierdo
18	SL320001375	Panel frontal
19	SL340000885	Cuba receptora de goteo completa gris
19 <sub>1</sub>	SL320001233	Rejilla goteo SPIN GRIS RAL7021
19 <sub>2</sub>	SL320001013	Flotador rejilla goteo rojo GT
19 <sub>3</sub>	SL320001232	Bandeja goteo SPIN GRIS RAL7021
20	SL340000884	Tapa luminosa completa
21	SL320001416	Fusible 5x20 completo
22	SL320001320	Soporte transformador
23	SL300009165	Transformador para luz halógena 50W 230V 50/60Hz
24	SL320002071	Racord desagüe ext. SPIN TY2 gris
25	SL320002070	Acople desagüe int. SPIN TY2 gris
26	SL340000887	Depósito 12 Litri
27	SL320001241	Soporte evaporador PZ-1 gris
28	SL300951869	Soporte evaporador PZ-2 blanco
29	SL3GS36007B	Junta evaporador/depósito
30	SL320002598	Casquillo evaporador GHZ-G5 2M6 V/9
31	SL300950585	Evaporador
32	SL310003830	Junta estanqueidad eje GHZ-GB 2M6 sil.transluc.
33	SL320001342	Tapón bandeja superior - gris
34	SL3GS12036A	Sujeción sistema regulación
35	SL3GS12035A	Vástago regulación
36	SL320001553	Tapa soporte evaporador - gris
37	SL3GS12037B	Guía muelle sistema regulación
38	SL310001422	Motorreductora KENTA mono 220/50
39	SL310002029	Racord eje transmisión TMC 06
40	SL310002027	Pasador inox DIN 1481 Ø4x18
41	SL3GS12038A	Muelle regulación duro
42	SL310002028	Eje transmisión GHZ GB TMC 06
43	SL310003340	Soporte evaporador completo gris
44	SL300950587	Minirruptor completo

Nº	Referencia	Denominación
45	SL320001381	Bandeja superior - gris
46	SL330000119	Protección interruptor 11 x 30
47	SL300970232	Soporte evaporador
48	SL340000918	Panel trasero
49	SL330000096	Protección interruptor 22 x 30
50	SL320001173	Chasis completo
51	SL310002791	Termostato electrónico 09
52	SL310001843	Junta tórica Ø15 x Ø2 silicona - roja
53	SL300951357	Pie nivelador H. 40 mm
54 <sub>1</sub>	SL300951306	Relé compresor T2168GK 220-240/50
54 <sub>2</sub>	SL300951307	Clixon compresor T2168GK 220-240/50
54 <sub>3</sub>	SL300951308	Condensador compresor T2168GK 220-240/50
55	SL320001382	Distanciador panel trasero
56	SL320002182	Panel lateral derecho
57	SL340000819	Grupo condensador completo
58	SL300000964	Interruptor 11x30 negro
59	SL300003131	Interruptor general luminoso 22x30 verde
60	SL300950937	Caldera
61	SL38EAE48GL	Bobina electroválvula gas 230V 50/60 Hz
62	SL3GS36711B	Electroválvula gas doble completa 230V 50/60 Hz
63	SL300970233	Condensador
64	SL3GS36815A	Filtro
65	SL310002831	Sonda temp. termost. electrónico
66		
67	SL37ZG02168	Compresor T2168GK 230-240/50
68	SL300000233	Aspas ventilador VA ø254/28°
69	SL320001379	Cobertura panel lateral
70	SL320001258	Motoventilador 220/240V 50/60Hz
71	SL320002656	Panel portamandos SPIN3 TS-E
72	SL320002698	Adhesivo portamandos SPIN3 TS-E
73	SL310003916	Panel portamandos completo SPIN3 TS-E
74	SL3GS83016A	Eje cierre grifo
75	SL3GS24118A	Candado
76	SL320001238	Cobertura panel lateral
77	SL300951089	Desviador 11x30 negro
78	SL320001589	Soporte panel
79	SL320001383	Distanciador panel fronterizo
80		
81		
82		
83	SL310004593	Mang.3x1,5 3M.Schuko+PA107 G 1/2/3 TS-E
84		
85		
86		
87	SL320001653	Abrazadera condensado
88	SL310002832	Condensador 0'022 mF 275V

## LIST OF COMPONENTS PARTS

N°	Reference	Description
1	SL320001244	Topper - upper part
2	SL320000011	Bulb holder support
3	SL320001421	Bulb holder
4	SL38LA10WG4	Bulb
5	SL320001348	Light topper
6	SL320001384	Cover bung grey
7	SL320001245	Undercover
8	SL3GS82013A	Spigot tap holder
9	SL320001401	Cylindrical spring cock
10	SL340001069	Spigot handle
11	SL310000367	Spigot pin
12	SL310001367	Spigot piston
13	SL320001550	Cover light contacts
14	SL320001758	Spigot sealing plug
15	SL320000054	Drain pipe
16	SL3GS12009D	Auger spiral
17	SL320002183	Left panel
18	SL320001375	Front panel
19	SL340000885	Drip tray assy - Grey
19 <sub>1</sub>	SL320001233	Screen for leaking SPIN GREY RAL7021
19 <sub>2</sub>	SL320001013	Screen for leaking GT float - red
19 <sub>3</sub>	SL320001232	Tray for leaking SPIN GREY RAL7021
20	SL340000884	Complete illuminated cover
21	SL320001416	Full fuse 5x20 SPIN3
22	SL320001320	Transformer support
23	SL300009165	Transformer for halogen lamp 50W 230V 50/60Hz
24	SL320002071	Drain tube connection racor ext. SPIN TY2 grey
25	SL320002070	Drain tube connection int. SPIN TY2 grey
26	SL340000887	Bowl 12 Litres
27	SL320001241	Evaporator support Pz 1 - Grey
28	SL300951869	Evaporator support Pz 2 - White
29	SL3GS36007B	Evaporator/bowl rear gasket
30	SL320002598	Shaft supporting bushing GHZ-G5 2M6 V/9
31	SL300950585	Evaporator
32	SL310003830	Watertight shaft joint GHZ GB 2M6 sil.translu.
33	SL320001342	Evaporator tray bung - Grey
34	SL3GS12036A	Hardness control pin catch
35	SL3GS12035A	Hardness control pin
36	SL320001553	Evaporator support cover - Grey
37	SL3GS12037B	Hardness control pin bushing
38	SL310001422	Gear motor KENTA mono 220/50
39	SL310002029	Transmission shaft racor TMC 06
40	SL310002027	Stainless steel blade pin DIN 1481 Ø4x18
41	SL3GS12038A	Torque compression spring
42	SL310002028	Beater Drive Shaft GHZ GB TMC 06
43	SL310003340	Evaporator support assy - Grey
44	SL300950587	Limit switch

N°	Reference	Description
45	SL320001381	Evaporator tray - Grey
46	SL330000119	Cover protection for switch 11 x 30
47	SL300970232	Evaporator tray support
48	SL340000918	Rear panel
49	SL330000096	Cover protection for switch 22 x 30
50	SL320001173	Chassis
51	SL310002791	Electronic thermostat 09
52	SL310001843	O-ring Ø15 x Ø2 silicone - Red
53	SL300951357	Foot H. 40 mm
54 <sub>1</sub>	SL300951306	Compressor relay T2168GK 220-240/50
54 <sub>2</sub>	SL300951307	Compressor clixon T2168GK 220-240/50
54 <sub>3</sub>	SL300951308	Compressor condenser T2168GK 220-240/50
55	SL320001382	Rear panel spacer
56	SL320002182	Right panel
57	SL340000819	Condenser group assy
58	SL300000964	Switch 11x30 - Black
59	SL300003131	Light main switch 22x30 - Green
60	SL300950937	Receiver
61	SL38EAE48GL	Ev-coil - gas 230V 50/60 Hz
62	SL3GS36711B	Double solenoid valve assy 230V 50/60Hz
63	SL300970233	Condenser
64	SL3GS36815A	Dryer
65	SL310002831	Sounds out temper. electr. thermos.
66		
67	SL37ZG02168	Compressor T2168GK 230-240/50
68	SL300000233	Fan blade VA ø254/28°
69	SL320001379	Side panel cover
70	SL320001258	Fan motor 220/240V 50/60Hz
71	SL320002656	Control panel SPIN3 TS-E
72	SL320002698	Control board adhesive SPIN3 TS-E
73	SL310003916	Complete control panel SPIN3 TS-E
74	SL3GS83016A	Spigot closing rod
75	SL3GS24118A	Padlock
76	SL320001238	Side panel cover
77	SL300951089	Change-over switch 11x30 - Black
78	SL320001589	Panel support
79	SL320001383	Front panel spacer
80		
81		
82		
83	SL310004593	Power cable 3x1,5 3M.Schuko+PA107 G 1/2/3 TS-E
84		
85		
86		
87	SL320001653	Bracket condensate
88	SL310002832	Condenser 0'022 mF 275V

## ELENCO COMPONENTI

N°	Codice	Descrizione
1	SL320001244	Coperchio - parte superiore
2	SL320000011	Supporto portalampada
3	SL320001421	Portalampada
4	SL38LA10WG4	Lampada
5	SL320001348	Coperchio luminoso
6	SL320001384	Tappo coperchio grigio
7	SL320001245	Sottocoperchio
8	SL3GS82013A	Tappo blocco rubinetto
9	SL320001401	Molla cilindrica rubinetto
10	SL340001069	Leva rubinetto
11	SL310000367	Perno rubinetto
12	SL310001367	Pistone rubinetto
13	SL320001550	Contatti luce coperchio
14	SL320001758	Guarnizione rubinetto
15	SL320000054	Tubo scarico condensa
16	SL3GS12009D	Coclea
17	SL320002183	Pannello sinistro
18	SL320001375	Pannello anteriore
19	SL340000885	Vaschetta sgocciolo completa grigio
19 <sub>1</sub>	SL320001233	Griglia vaschetta SPIN GRIGGIO RAL7021
19 <sub>2</sub>	SL320001013	Galleggiante griglia vaschetta GT - rosso
19 <sub>3</sub>	SL320001232	Vaschetta scarico SPIN GRIGGIO RAL7021
20	SL340000884	Coperchio luminoso completo
21	SL320001416	Fusibile completo 5x20 SPIN3
22	SL320001320	Supporto trasformatore
23	SL300009165	Trasform. x alog. 50W 230V 50/60Hz
24	SL320002071	Raccordo tubo scarico est. SPIN TY2 grigio
25	SL320002070	Collegamento tubo scarico int. SPIN TY2 grigio
26	SL340000887	Vasca 12 Litri
27	SL320001241	Supporto evaporatore Pz 1 grigio
28	SL300951869	Supporto evaporatore Pz 2 bianco
29	SL3GS36007B	Guarnizione evaporatore/vasca
30	SL320002598	Boccola sostegno albero GHZ-G5 2M6 V/9
31	SL300950585	Evaporatore
32	SL310003830	Guarnizione ventosa GHZ GB 2M6 sil.traslu.
33	SL320001342	Tappo piano evaporatore Grigio
34	SL3GS12036A	Fermo perno regolazione durezza
35	SL3GS12035A	Perno regolazione durezza
36	SL320001553	Coperchio supporto evaporatore Grigio
37	SL3GS12037B	Boccola perno regolazione durezza
38	SL310001422	Motoriduttore KENTA mono 220/50
39	SL310002029	Raccordo albero trascinalimento TMC 06
40	SL310002027	Spina inox DIN 1481 Ø4x18
41	SL3GS12038A	Molla regolazione durezza
42	SL310002028	Albero trascinalimento GHZ GB TMC 06
43	SL310003340	Supporto evaporatore completo grigio
44	SL300950587	Microinterruttore

N°	Codice	Descrizione
45	SL320001381	Piano evaporatore grigio
46	SL330000119	Cappuccio di protezione interruttore 11 x 30
47	SL300970232	Supporto piano evaporatore
48	SL340000918	Pannello posteriore
49	SL330000096	Cappuccio di protezione interruttore 22 x 30
50	SL320001173	Telaio
51	SL310002791	Termostato elettronico 09
52	SL310001843	Guarnizione Ø15 x Ø2 silicone - rossa
53	SL300951357	Piede H. 40 mm
54 <sub>1</sub>	SL300951306	Relé compressore T2168GK 220-240/50
54 <sub>2</sub>	SL300951307	Salvatore compressore T2168GK 220-240/50
54 <sub>3</sub>	SL300951308	Condensatore compressore T2168GK 220-240/50
55	SL320001382	Distanziale pannello posteriore
56	SL320002182	Pannello destro
57	SL340000819	Gruppo condensatore assiemato
58	SL300000964	Interruttore 11x30 nero
59	SL300003131	Inter. generale luminoso 22x30 verde
60	SL300950937	Boiler
61	SL38EAE48GL	Bobina elettrovalvola gas 230V 50/60Hz
62	SL3GS36711B	Elettrov. gas doppia completa 230V 50/60Hz
63	SL300970233	Condensatore frigo
64	SL3GS36815A	Filtro
65	SL310002831	Sonda temp. termost. elettronico
66		
67	SL37ZG02168	Compressore T2168GK 230-240/50
68	SL300000233	Ventola D. 254/28°
69	SL320001379	Supporto pannello laterale
70	SL320001258	Motoventilatore 220/240V 50/60Hz
71	SL320002656	Pannello portacomandi SPIN3 TS-E
72	SL320002698	Adesivo portacomandi SPIN3 TS-E
73	SL310003916	Pannello portacomandi assiemato SPIN3 TS-E
74	SL3GS83016A	Asta di chiusura rubinetto
75	SL3GS24118A	Lucchetto
76	SL320001238	Copertura pannello laterale
77	SL300951089	Interruttore dev. I-O-II nero
78	SL320001589	Supporto pannelli
79	SL320001383	Distanziale pannello anteriore
80		
81		
82		
83	SL310004593	Cavo aliment.3x1,5 3M.Schuko+PA107 G 1/2/3 TS-E
84		
85		
86		
87	SL320001653	Staffa condensa
88	SL310002832	Condensatore 0'022 mF 275V

DESPIECE - EXPLODED VIEW - ESPLOSO DISEGNO

