

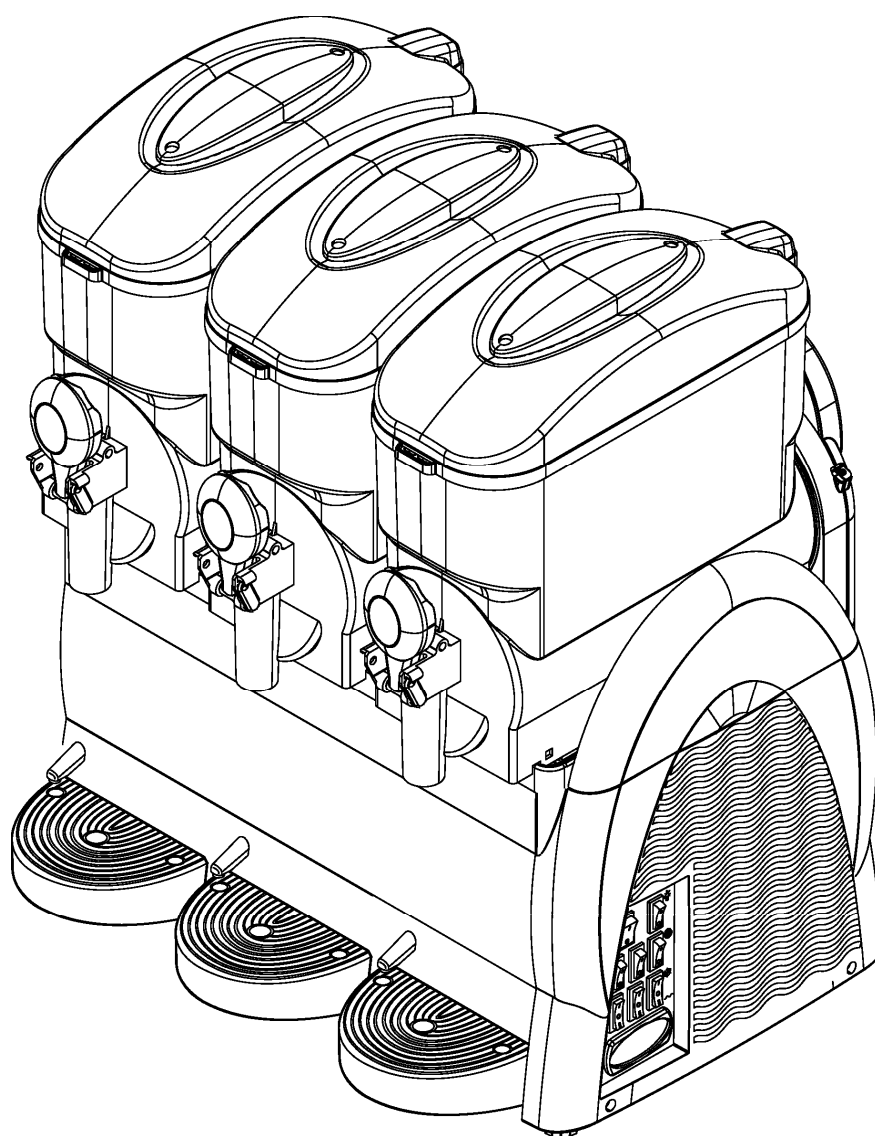
LISTA DE PIEZAS DE RECAMBIO
LIST OF COMPONENTS PARTS
LISTA RICAMBI

GRANIZADORA DE BANCO
GRANITA MACHINE
GRANITORE DA BANCO

SPIN 12-3 FF TS-E CE GREY

Ref.: SL8SP123199

230-240 V. / 50 Hz.



LISTA DE PIEZAS

| Nº | Referencia | Denominación |
|-----------------|-------------|--|
| 1 | SL320001244 | Tapa - parte superior |
| 2 | SL320001384 | Tapón tapa gris |
| 3 | SL320001421 | Portalámparas |
| 4 | SL38LA10WG4 | Lámpara |
| 5 | SL320001348 | Tapa luminosa |
| 6 | SL320000011 | Soporte portalámparas |
| 7 | SL320001245 | Base tapa |
| 8 | SL3GS82013A | Tapón bloqueo grifo |
| 9 | SL320001401 | Resorte cilíndrico grifo |
| 10 | SL340001069 | Palanca grifo |
| 11 | SL310000367 | Perno grifo |
| 12 | SL310001367 | Pistón grifo |
| 13 | SL320001550 | Contactos luz tapa |
| 14 | SL320001758 | Junta grifo |
| 15 | SL320000054 | Tubo desagüe |
| 16 | SL3GS12009D | Pala espiral completa |
| 17 | SL320002183 | Panel lateral izquierdo |
| 18 | SL320001375 | Panel frontal |
| 19 | SL340000885 | Cuba receptora de goteo completa gris |
| 19 ₁ | SL320001233 | Rejilla goteo SPIN GRIS RAL7021 |
| 19 ₂ | SL320001013 | Flotador rejilla goteo rojo GT |
| 19 ₃ | SL320001232 | Bandeja goteo SPIN GRIS RAL7021 |
| 20 | SL340000884 | Tapa luminosa completa |
| 21 | SL320001416 | Fusible 5x20 completo |
| 22 | SL320001320 | Soporte transformador |
| 23 | SL300009165 | Transformador para luz halógena 50W 230V 50/60Hz |
| 24 | SL320001235 | Unión condensación externa |
| 25 | SL320001234 | Unión condensación interna |
| 26 | SL340000887 | Depósito 12 Litri |
| 27 | SL320001241 | Soporte evaporador PZ-1 gris |
| 28 | SL300951869 | Soporte evaporador PZ-2 blanco |
| 29 | SL3GS36007B | Junta evaporador/depósito |
| 30 | SL320002598 | Casquillo evaporador GHZ-G5 2M6 V/9 |
| 31 | SL300950585 | Evaporador |
| 32 | SL310003830 | Junta estanqueidad eje GHZ-GB 2M6 sil.traslu. |
| 33 | SL320001342 | Tapón bandeja superior - gris |
| 34 | SL3GS12036A | Sujeción sistema regulación |
| 35 | SL3GS12035A | Vástago regulación |
| 36 | SL320001553 | Tapa soporte evaporador - gris |
| 37 | SL3GS12037B | Guía muelle sistema regulación |
| 38 | SL310001422 | Motorreductora KENTA mono 230V 50Hz |
| 39 | SL3GS12031A | Casquillo eje transmisión |
| 40 | SL300006076 | Anillo |
| 41 | SL3GS12038A | Muelle regulación duro |
| 42 | SL3GS12030A | Eje transmisión |
| 43 | SL340000876 | Soporte evaporador completo gris |
| 44 | SL300950587 | Minirruptor completo |

| Nº | Referencia | Denominación |
|-----------------|-------------|---|
| 45 | SL320001381 | Bandeja superior - gris |
| 46 | SL330000119 | Protección interruptor 11 x 30 |
| 47 | SL300970232 | Soporte evaporador |
| 48 | SL340000918 | Panel trasero |
| 49 | SL330000096 | Protección interruptor 22 x 30 |
| 50 | SL320001173 | Chasis completo |
| 51 | SL310002791 | Termostato electrónico 09 |
| 52 | SL310001843 | Junta tórica Ø15 x Ø2 silicona - roja |
| 53 | SL300951357 | Pie nivelador H. 40 mm |
| 54 ₁ | SL300951317 | Relé compresor T2180GK 220/50 |
| 54 ₂ | SL300951318 | Condensador marcha T2180GK 220/50 |
| 54 ₃ | SL300951319 | Condensador compresor T2180GK 220/50 |
| 54 ₄ | SL300951321 | Caja maniobras compresor T2180GK |
| 55 | SL320001382 | Soporte panel trasero |
| 56 | SL320002182 | Panel lateral derecho |
| 57 | SL340000827 | Grupo condensador completo |
| 58 | SL300000964 | Interruptor 11x30 negro |
| 59 | SL300003131 | Interruptor general luminoso 22x30 verde |
| 60 | SL300951935 | Caldera |
| 61 | SL38EAE48GL | Bobina electroválvula gas 230V 50/60 Hz |
| 62 | SL3GS36711B | Electroválv. gas completa 230V 50/60 Hz |
| 63 | SL300970233 | Condensador |
| 64 | SL320001722 | Filtro |
| 65 | SL310002831 | Sonda temp. termost. electrónico |
| 66 | SL310002832 | Condensador 0'022 mF 275V |
| 67 | SL37ZG02180 | Compresor T2180GK 230-240/50 |
| 68 | SL300000233 | Aspas ventilador VA ø254/28° |
| 69 | SL320001379 | Soporte panel lateral |
| 70 | SL320001258 | Motoventilador 220/240V 50/60HZ |
| 71 | SL320002656 | Panel portamandos SPIN3 TS-E |
| 72 | SL320002698 | Adhesivo portamandos SPIN3 TS-E |
| 73 | SL310003916 | Panel portamandos completo SPIN3 TS-E |
| 74 | SL3GS83016A | Eje cierre grifo |
| 75 | SL3GS24118A | Candado |
| 76 | SL340001070 | Cobertura panel lateral |
| 77 | SL300951089 | Desviador 11x30 negro |
| 78 | SL320001589 | Soporte panel |
| 79 | SL320001383 | Distanciador panel fronterizo |
| 80 | | |
| 81 | | |
| 82 | | |
| 83 | SL310003946 | Cable alimentación enchufe Schuko + PA107 |
| 84 | SL300950035 | Condensador |
| 85 | SL37TAH0401 | Motoventilador 120X120X38 220240/50 |
| 86 | | |
| 87 | SL320001653 | Abrazadera condensado |

LIST OF COMPONENTS PARTS

| N° | Reference | Description |
|-----------------|-------------|--|
| 1 | SL320001244 | Topper - upper part |
| 2 | SL320001384 | Cover bung grey |
| 3 | SL320001421 | Bulb holder |
| 4 | SL38LA10WG4 | Bulb |
| 5 | SL320001348 | Light topper |
| 6 | SL320000011 | Bulb holder support |
| 7 | SL320001245 | Undercover |
| 8 | SL3GS82013A | Spigot tap holder |
| 9 | SL320001401 | Cylindrical spring cock |
| 10 | SL340001069 | Spigot handle |
| 11 | SL310000367 | Spigot pin |
| 12 | SL310001367 | Spigot piston |
| 13 | SL320001550 | Cover light contacts |
| 14 | SL320001758 | Spigot sealing plug |
| 15 | SL320000054 | Drain pipe |
| 16 | SL3GS12009D | Auger spiral |
| 17 | SL320002183 | Left panel |
| 18 | SL320001375 | Front panel |
| 19 | SL340000885 | Drip tray assy - Grey |
| 19 ₁ | SL320001233 | Screen for leaking SPIN GREY RAL7021 |
| 19 ₂ | SL320001013 | Screen for leaking GT float - red |
| 19 ₃ | SL320001232 | Tray for leaking SPIN GREY RAL7021 |
| 20 | SL340000884 | Complete illuminated cover |
| 21 | SL320001416 | Full fuse 5x20 SPIN3 |
| 22 | SL320001320 | Transformer support |
| 23 | SL300009165 | Transformer for halogen lamp 50W 230V 50/60Hz |
| 24 | SL320001235 | External condensation union |
| 25 | SL320001234 | Internal condensation union |
| 26 | SL340000887 | Bowl 12 Litres |
| 27 | SL320001241 | Evaporator support Pz 1 - Grey |
| 28 | SL300951869 | Evaporator support Pz 2 - White |
| 29 | SL3GS36007B | Evaporator/bowl rear gasket |
| 30 | SL320002598 | Shaft supporting bushing GHZ-G5 2M6 V/9 |
| 31 | SL300950585 | Evaporator |
| 32 | SL310003830 | Watertight shaft joint GHZ GB 2M6 sil.translu. |
| 33 | SL320001342 | Evaporator tray bung - Grey |
| 34 | SL3GS12036A | Hardness control pin catch |
| 35 | SL3GS12035A | Hardness control pin |
| 36 | SL320001553 | Evaporator support cover - Grey |
| 37 | SL3GS12037B | Hardness control pin bushing |
| 38 | SL310001422 | Gear motor KENTA mono 220/50 |
| 39 | SL3GS12031A | Bushing spindle conn. |
| 40 | SL300006076 | Seeger-ring |
| 41 | SL3GS12038A | Torque compression spring |
| 42 | SL3GS12030A | Drive shaft for spiral |
| 43 | SL340000876 | Evaporator support assy - Grey |
| 44 | SL300950587 | Limit switch |

| N° | Reference | Description |
|-----------------|-------------|---|
| 45 | SL320001381 | Evaporator tray - Grey |
| 46 | SL330000119 | Cover protection for switch 11 x 30 |
| 47 | SL300970232 | Evaporator tray support |
| 48 | SL340000918 | Rear panel |
| 49 | SL330000096 | Cover protection for switch 22 x 30 |
| 50 | SL320001173 | Chassis |
| 51 | SL310002791 | Electronic thermostat 09 |
| 52 | SL310001843 | O-ring Ø15 x Ø2 silicone - Red |
| 53 | SL300951357 | Foot H. 40 mm |
| 54 ₁ | SL300951317 | Compressor relay T2180GK 220/50 |
| 54 ₂ | SL300951318 | Condenser running T2180GK 220/50 |
| 54 ₃ | SL300951319 | Compressor condenser T2180GK 220/50 |
| 54 ₄ | SL300951321 | Operation box compressor T2180GK |
| 55 | SL320001382 | Rear panel spacer |
| 56 | SL320002182 | Right panel |
| 57 | SL340000827 | Condenser group assy |
| 58 | SL300000964 | Switch 11x30 - Black |
| 59 | SL300003131 | Light main switch 22x30 - Green |
| 60 | SL300951935 | Receiver |
| 61 | SL38EAE48GL | Ev-coil - gas 230V 50/60 Hz |
| 62 | SL3GS36711B | Double solenoid valve assy 230V 50/60Hz |
| 63 | SL300970233 | Condenser |
| 64 | SL320001722 | Dryer |
| 65 | SL310002831 | Sounds out temper. electr. thermos. |
| 66 | SL310002832 | Condenser 0'022 mF 275V |
| 67 | SL37ZG02180 | Compressor T2180GK 230-240/50 |
| 68 | SL300000233 | Fan blade VA ø254/28° |
| 69 | SL320001379 | Side panel cover |
| 70 | SL320001258 | Fan motor 220/240V 50/60Hz |
| 71 | SL320002656 | Control panel SPIN3 TS-E |
| 72 | SL320002698 | Control board adhesive SPIN3 TS-E |
| 73 | SL310003916 | Complete control panel SPIN3 TS-E |
| 74 | SL3GS83016A | Spigot closing rod |
| 75 | SL3GS24118A | Padlock |
| 76 | SL340001070 | Side panel cover |
| 77 | SL300951089 | Change-over switch 11x30 - Black |
| 78 | SL320001589 | Panel support |
| 79 | SL320001383 | Front panel spacer |
| 80 | | |
| 81 | | |
| 82 | | |
| 83 | SL310003946 | Power cable with Schuko plug + PA107 |
| 84 | SL300950035 | Condenser |
| 85 | SL37TAH0401 | Fan motor 120X120X38 220240/50 |
| 86 | | |
| 87 | SL320001653 | Bracket condensate |

ELENCO COMPONENTI

| N° | Codice | Descrizione |
|-----------------|-------------|--|
| 1 | SL320001244 | Coperchio - parte superiore |
| 2 | SL320001384 | Tappo coperchio grigio |
| 3 | SL320001421 | Portalampada |
| 4 | SL38LA10WG4 | Lampada |
| 5 | SL320001348 | Coperchio luminoso |
| 6 | SL320000011 | Supporto portalampada |
| 7 | SL320001245 | Sottocoperchio |
| 8 | SL3GS82013A | Tappo blocco rubinetto |
| 9 | SL320001401 | Molla cilindrica rubinetto |
| 10 | SL340001069 | Leva rubinetto |
| 11 | SL310000367 | Perno rubinetto |
| 12 | SL310001367 | Pistone rubinetto |
| 13 | SL320001550 | Contatti luce coperchio |
| 14 | SL320001758 | Guarnizione rubinetto |
| 15 | SL320000054 | Tubo scarico condensa |
| 16 | SL3GS12009D | Coclea |
| 17 | SL320002183 | Pannello sinistro |
| 18 | SL320001375 | Pannello anteriore |
| 19 | SL340000885 | Vaschetta sgocciolo completa grigio |
| 19 ₁ | SL320001233 | Griglia vaschetta SPIN GRIGGIO RAL7021 |
| 19 ₂ | SL320001013 | Galleggiante griglia vaschetta GT - rosso |
| 19 ₃ | SL320001232 | Vaschetta scarico SPIN GRIGGIO RAL7021 |
| 20 | SL340000884 | Coperchio luminoso completo |
| 21 | SL320001416 | Fusibile completo 5x20 SPIN3 |
| 22 | SL320001320 | Supporto trasformatore |
| 23 | SL300009165 | Trasform. x alog. 50W 230V 50/60Hz |
| 24 | SL320001235 | Raccordo condensa esterno |
| 25 | SL320001234 | Raccordo condensa interno |
| 26 | SL340000887 | Vasca 12 Litri |
| 27 | SL320001241 | Supporto evaporatore Pz 1 grigio |
| 28 | SL300951869 | Supporto evaporatore Pz 2 bianco |
| 29 | SL3GS36007B | Guarnizione evaporatore/vasca |
| 30 | SL320002598 | Boccola sostegno albero GHZ-G5 2M6 V/9 |
| 31 | SL300950585 | Evaporatore |
| 32 | SL310003830 | Guarnizione ventosa GHZ GB 2M6 sil.traslu. |
| 33 | SL320001342 | Tappo piano evaporatore Grigio |
| 34 | SL3GS12036A | Fermo perno regolazione durezza |
| 35 | SL3GS12035A | Perno regolazione durezza |
| 36 | SL320001553 | Coperchio supporto evaporatore Grigio |
| 37 | SL3GS12037B | Boccola perno regolazione durezza |
| 38 | SL310001422 | Motoriduttore KENTA mono 220/50 |
| 39 | SL3GS12031A | Boccola connessione albero |
| 40 | SL300006076 | Anello seeger per boccola |
| 41 | SL3GS12038A | Molla regolazione durezza |
| 42 | SL3GS12030A | Albero trascinamento coclea |
| 43 | SL340000876 | Supporto evaporatore completo grigio |
| 44 | SL300950587 | Microinterruttore |

| N° | Codice | Descrizione |
|-----------------|-------------|--|
| 45 | SL320001381 | Piano evaporatore grigio |
| 46 | SL330000119 | Cappuccio di protezione interruttore 11 x 30 |
| 47 | SL300970232 | Supporto piano evaporatore |
| 48 | SL340000918 | Pannello posteriore |
| 49 | SL330000096 | Cappuccio di protezione interruttore 22 x 30 |
| 50 | SL320001173 | Telaio |
| 51 | SL310002791 | Termostato elettronico 09 |
| 52 | SL310001843 | Guarnizione Ø15 x Ø2 silicone - rossa |
| 53 | SL300951357 | Piede H. 40 mm |
| 54 ₁ | SL300951317 | Relé compressore T2180GK 220/50 |
| 54 ₂ | SL300951318 | Condensatore marcia T2180GK 220/50 |
| 54 ₃ | SL300951319 | Condensatore compressore T2180GK 220/50 |
| 54 ₄ | SL300951321 | Scatola manovre compressore T2180GK |
| 55 | SL320001382 | Distanziale pannello posteriore |
| 56 | SL320002182 | Pannello destro |
| 57 | SL340000827 | Gruppo condensatore assemblato |
| 58 | SL300000964 | Interruttore 11x30 nero |
| 59 | SL300003131 | Inter. generale luminoso 22x30 verde |
| 60 | SL300951935 | Boiler |
| 61 | SL38EAE48GL | Bobina elettrovalvola gas 230V 50/60Hz |
| 62 | SL3GS36711B | Elettrov. gas doppia completa 230V 50/60Hz |
| 63 | SL300970233 | Condensatore frigo |
| 64 | SL320001722 | Filtro |
| 65 | SL310002831 | Sonda temp. termost. elettronico |
| 66 | SL310002832 | Condensatore 0'022 mF 275V |
| 67 | SL37ZG02180 | Compressore T2180GK 230-240/50 |
| 68 | SL300000233 | Ventola D. 254/28° |
| 69 | SL320001379 | Supporto pannello laterale |
| 70 | SL320001258 | Motoventilatore 220/240V 50/60Hz |
| 71 | SL320002656 | Pannello portacomandi SPIN3 TS-E |
| 72 | SL320002698 | Adesivo portacomandi SPIN3 TS-E |
| 73 | SL310003916 | Pannello portacomandi assemblato SPIN3 TS-E |
| 74 | SL3GS83016A | Asta di chiusura rubinetto |
| 75 | SL3GS24118A | Lucchetto |
| 76 | SL340001070 | Copertura pannello laterale |
| 77 | SL300951089 | Interruttore dev. I-O-II nero |
| 78 | SL320001589 | Supporto pannelli |
| 79 | SL320001383 | Distanziale pannello anteriore |
| 80 | | |
| 81 | | |
| 82 | | |
| 83 | SL310003946 | Cavo alimentazione spina Schuko + PA107 |
| 84 | SL300950035 | Condensatore frigo |
| 85 | SL37TAH0401 | Motoventilatore 120X120X38 220/240/50 |
| 86 | | |
| 87 | SL320001653 | Staffa condensa |

DESPIECE - EXPLODED VIEW - ESPLOSO DISEGNO

